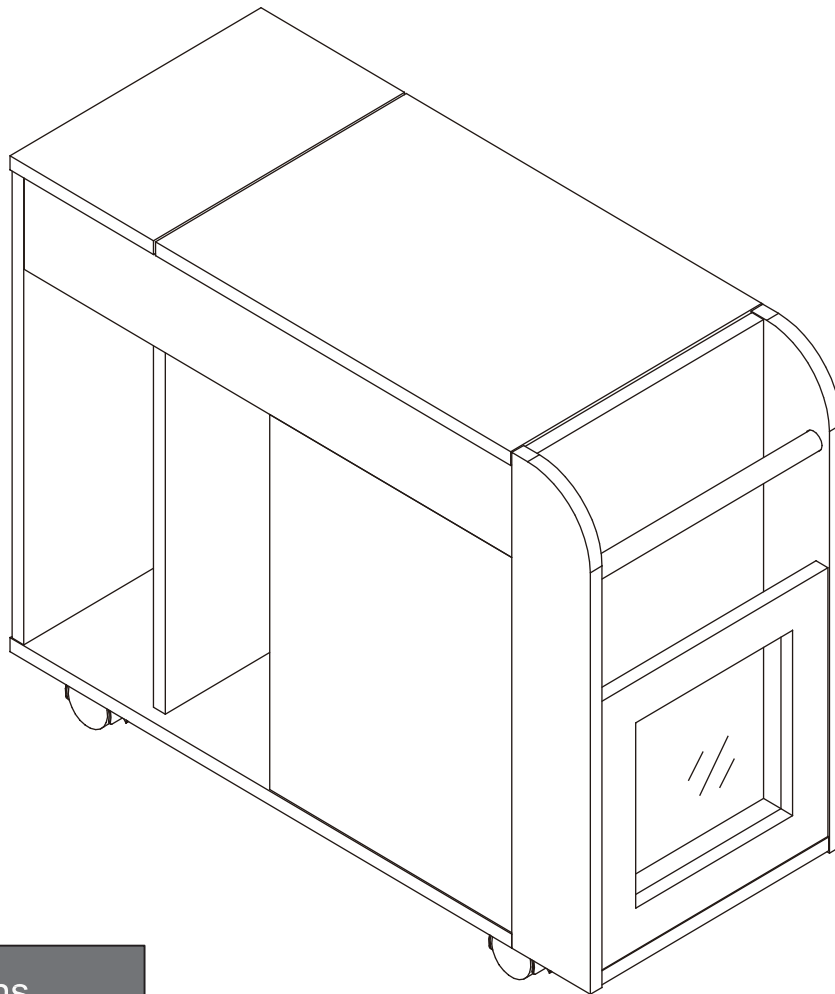


End Table

Assembly Instructions - Please keep for future reference



Dimensions

Width-29.13inch

Depth-12.6inch

Height-23.23inch

Important – Please read these instructions fully before starting assembly



Safety and Care Advice

Important – Please read these instructions fully before starting assembly

- Check you have all the components and tools listed on the following pages.
- Remove all fittings from the plastic bags and separate them into their groups.
- Keep children and animals away from the work area, small parts could choke if swallowed.
- Make sure you have enough space to layout the parts before starting.

- During assembly do not stand or put weight on the product, this could cause damage.
- Assemble the item as close to its final position (in the same room) as possible.
- Assemble on a soft level surface to avoid damaging the unit or your floor.
- Parts of the assembly will be easier with 2 people.



power drill is set on a low torque setting.

- To reduce the likelihood of damaging your product please ensure that your

Care and maintenance

• Only clean using a damp cloth and mild detergent, do not use bleach or abrasive cleaners.

• From time to time check that there are no loose screws on this unit.

• This product should not be discarded with household waste. Take to your local authority waste disposal centre.

Handy Hints

• Assemble all parts and bolts loosely during assembly, only once the product is complete should you fully tighten the bolts

• Regularly check and ensure That all bolts and fittings are tightend properly.

WARNING
In order to help prevent overturning – please follow these instructions

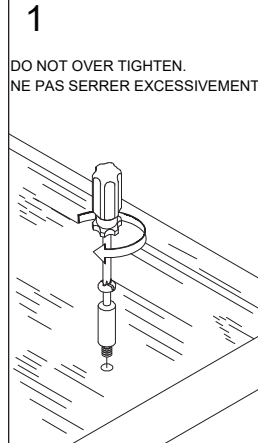
To help prevent product toppling over please follow the below steps:-

Use the anti tip stap or wall fixing method provided (if applicable)
Do not allow children to climb or hang on the furniture
Do not open more than one drawer at a time
Do not place heavy items in the top drawers
Do not place heavy items on top of the furniture, unless the furniture has been designed for this purpose

Using Camlocks

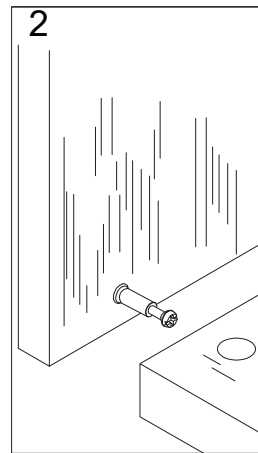
Step 1

Connect the male camlock as directed in the assembly instructions using a screwdriver.



Step 2

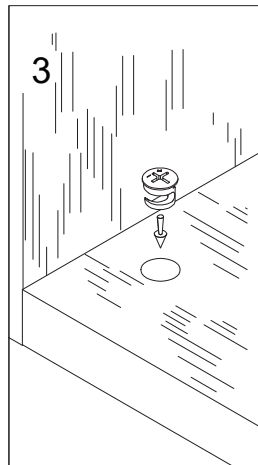
Push the male camlock into the entry hole.



Step 3

Insert the female camlock as shown in the instruction.

Note: ensure that the arrow on the top of the camlock points towards the entry hole for the male camlock.

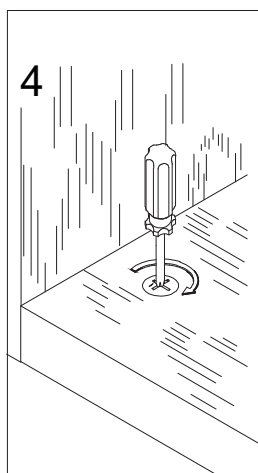


Step 4

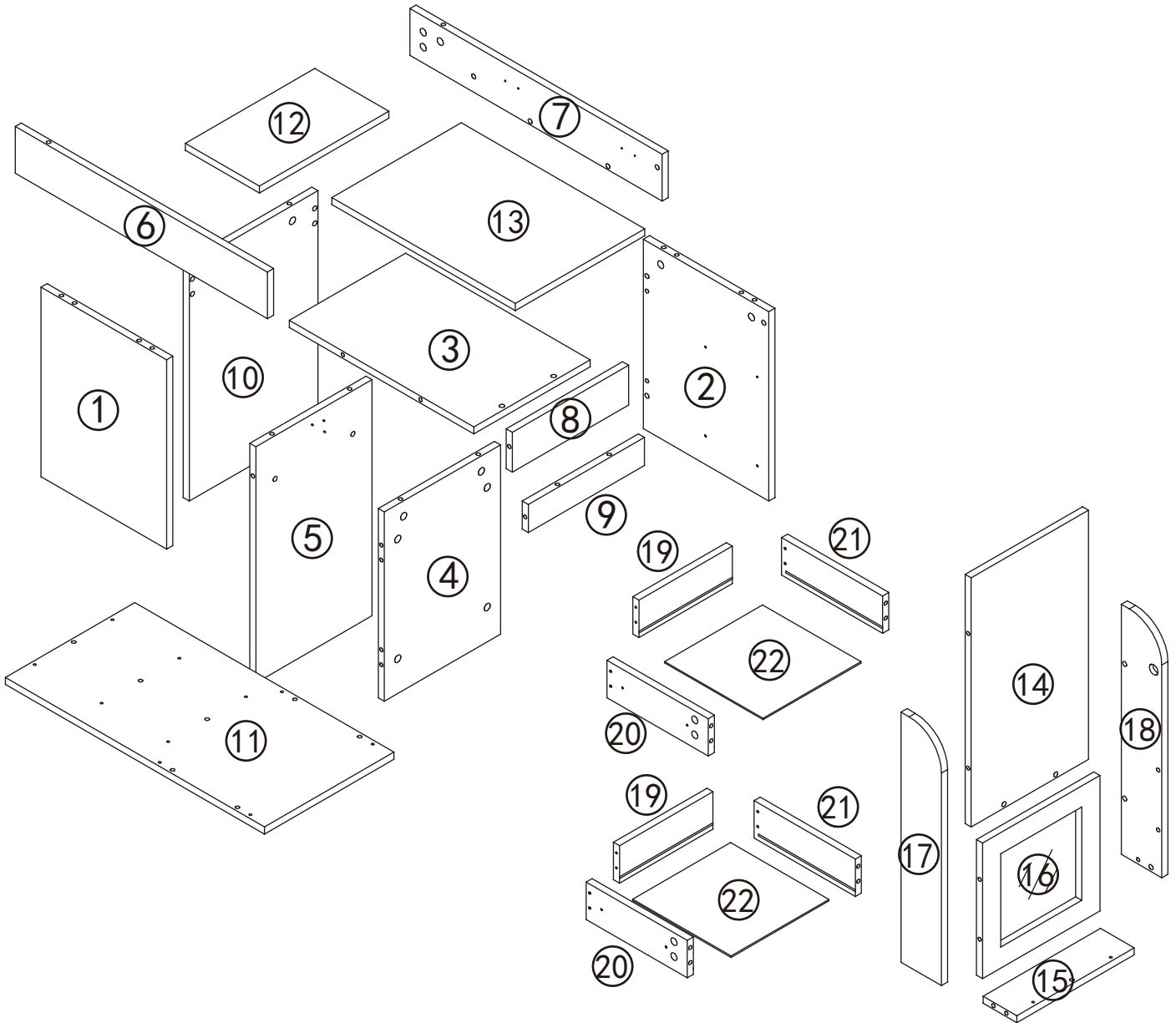
Turn the female camlock clockwise with a screwdriver.

You should feel a click when the camlock is locked in place.

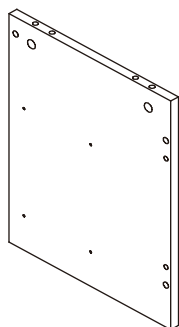
The joint is now secure.



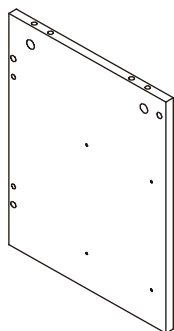
Assembly Instructions



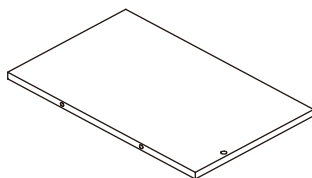
Assembly Instructions



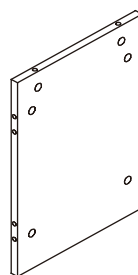
① X1



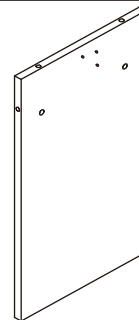
② X1



③ X1



④ X1



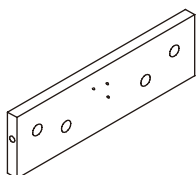
⑤ X1



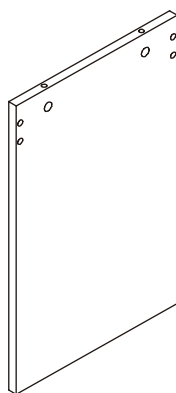
⑥ X1



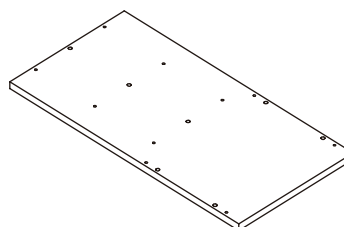
⑦ X1



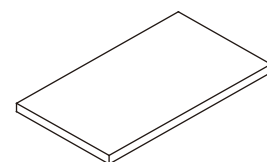
⑧ X1



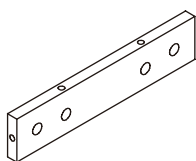
⑩ X1



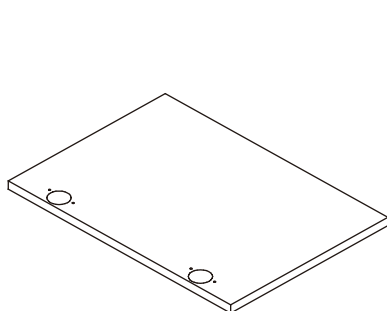
⑪ X1



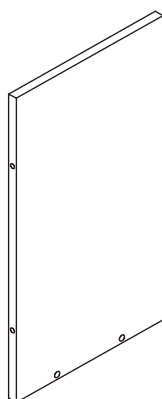
⑫ X1



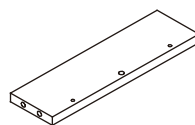
⑨ X1



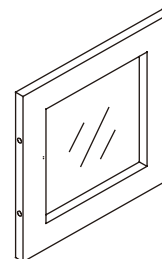
⑬ X1



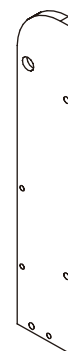
⑭ X1



⑮ X1



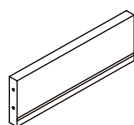
⑯ X1



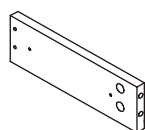
⑰ X1



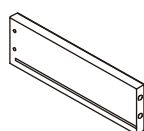
⑱ X1



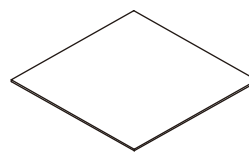
⑲ X2



⑳ X2



㉑ X2



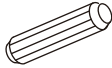
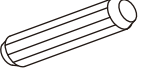

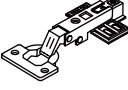
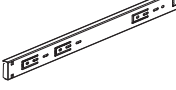
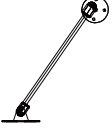
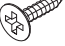

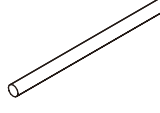
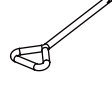

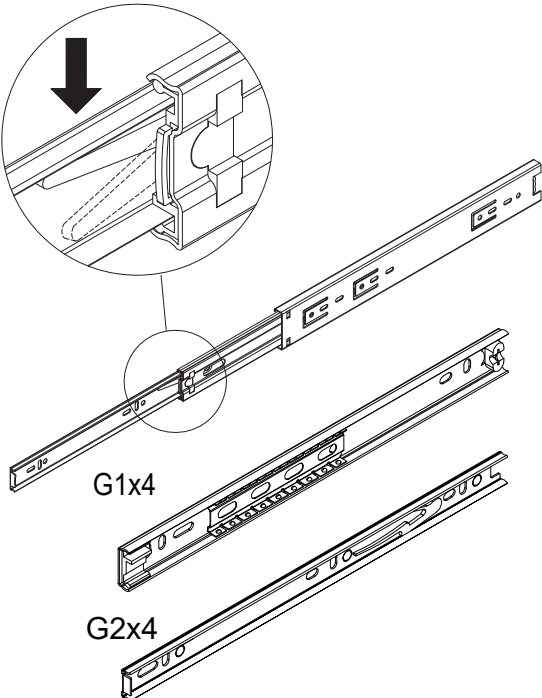


㉒ X2

Components-Fittings

Please check you have all the panels listed below

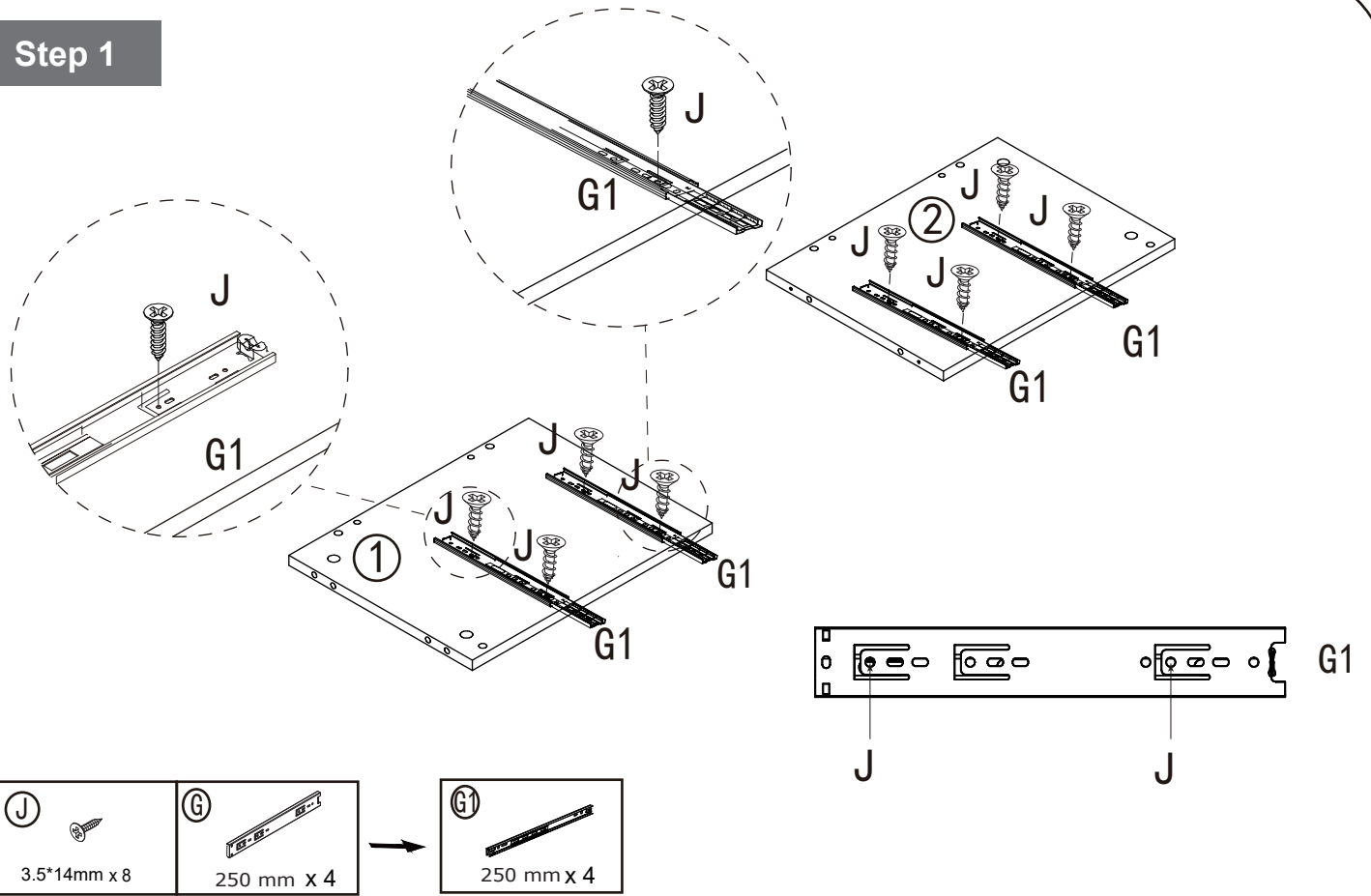
Note: The quantities below are the correct amount to complete the assembly. In some cases more fittings may be supplied than are required.

<p>(A)</p>  <p>Cam Bolt x52+2</p>	<p>(B)</p>  <p>Cam Lock x 52+2</p>	<p>(C)</p>  <p>8*30mm Dowel x 18+2</p>	<p>(D)</p>  <p>8*40mm Dowel x 4+1</p>
<p>(E)</p>  <p>5*40mm Screw x 20+2</p>	<p>(F)</p>  <p>Hinge x 2</p>	<p>(G)</p>  <p>250 mm x 4</p>	<p>(H)</p>  <p>Flip door lever x 2</p>
<p>(J)</p>  <p>3.5*14mm x 54+2</p>	<p>(K)</p>  <p>universal wheel x 4</p>	<p>(L)</p>  <p>circular tube x 1</p>	<p>(M)</p>  <p>Screwdriver x 1</p>
<p>(N)</p>  <p>Perfect sticker x 16+2</p>	 <p>G1x4</p> <p>G2x4</p>		

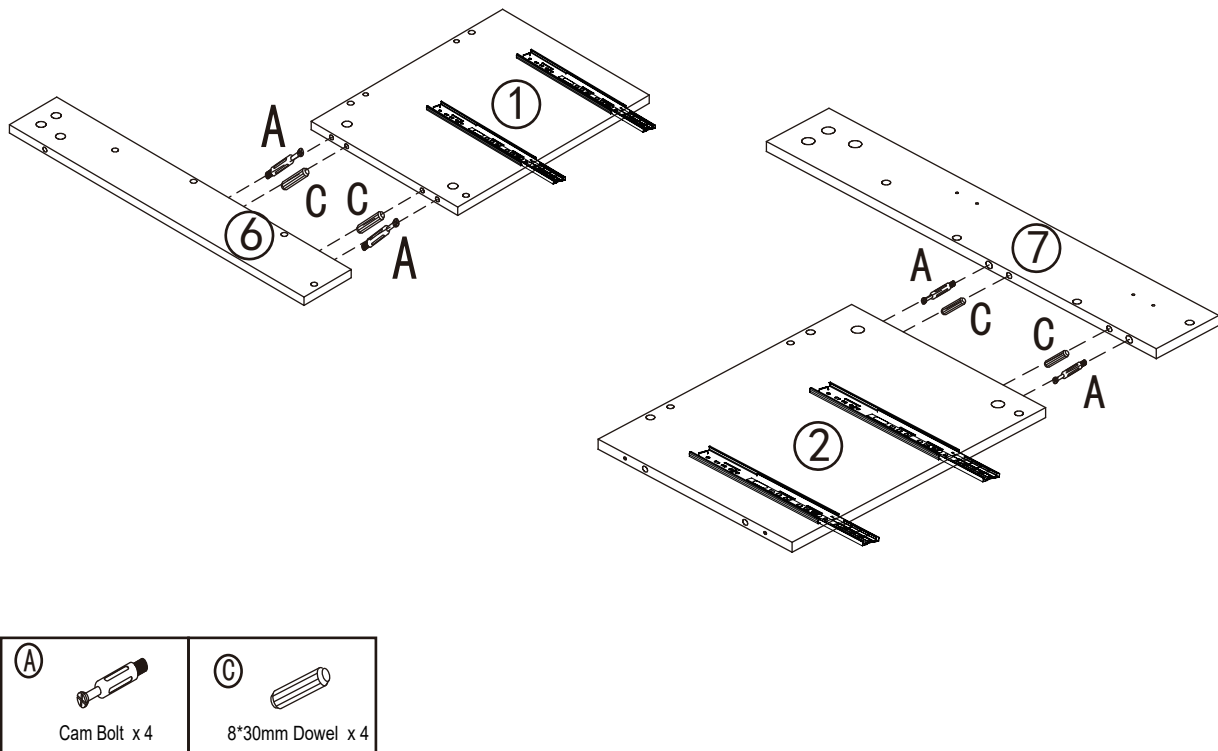


Assembly Instructions

Step 1

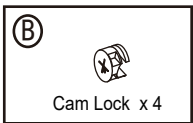
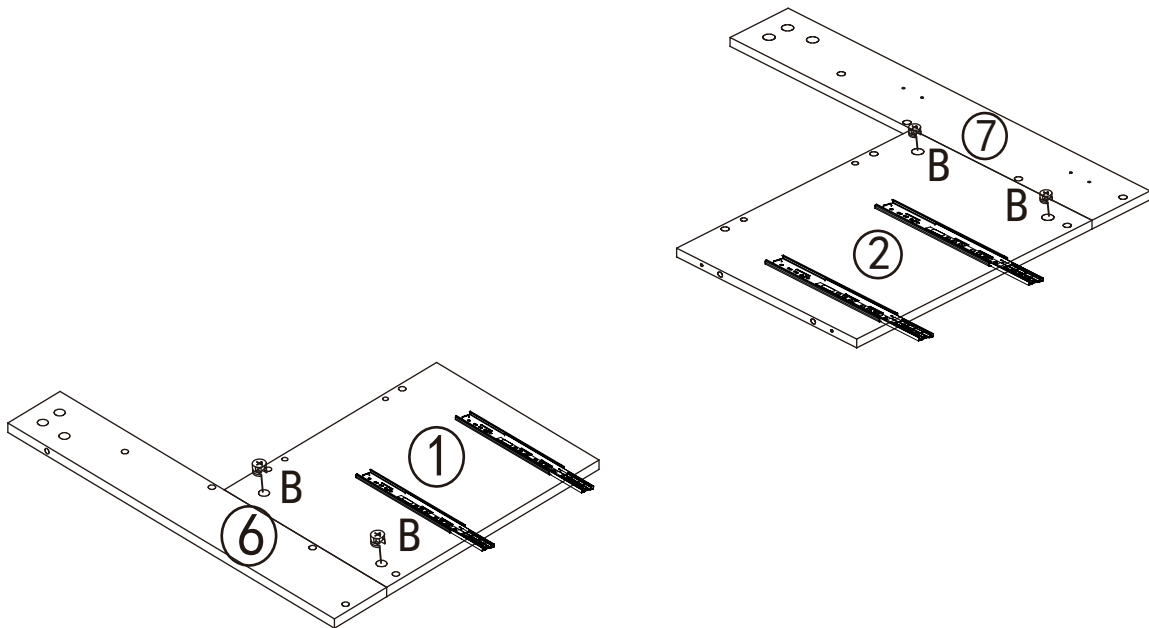


Step 2

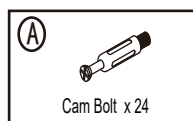
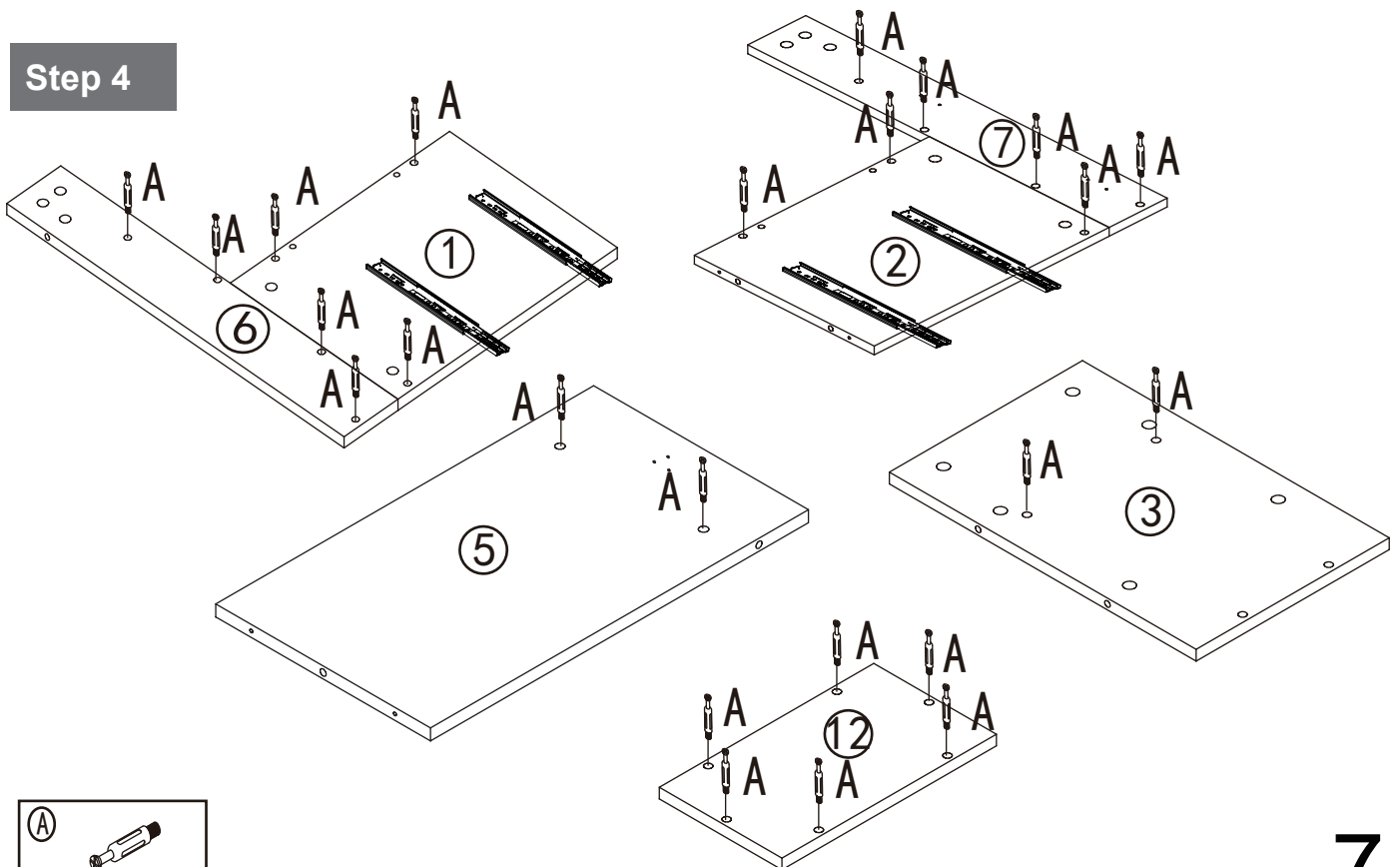


Assembly Instructions

Step 3

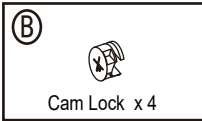
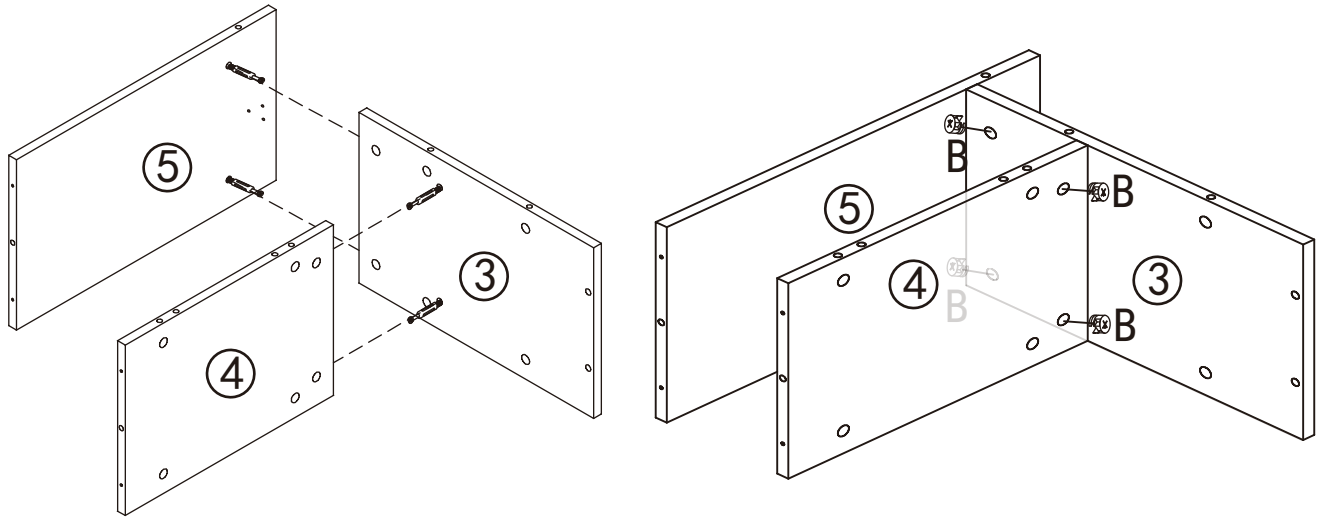


Step 4

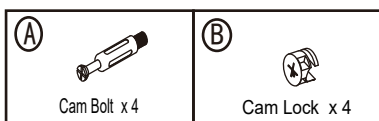
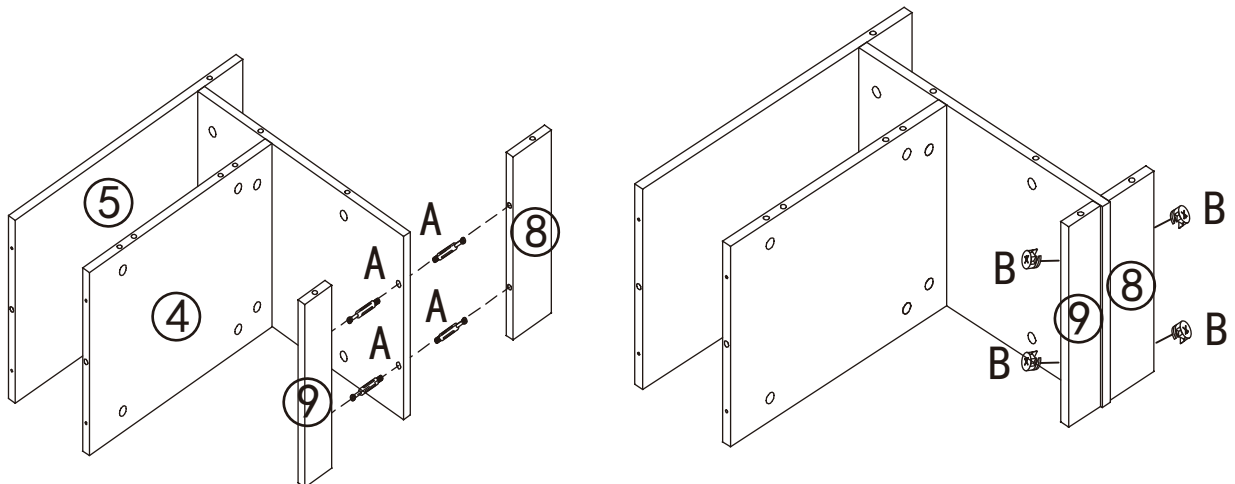


Assembly Instructions

Step 5

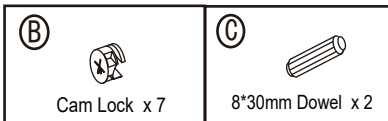
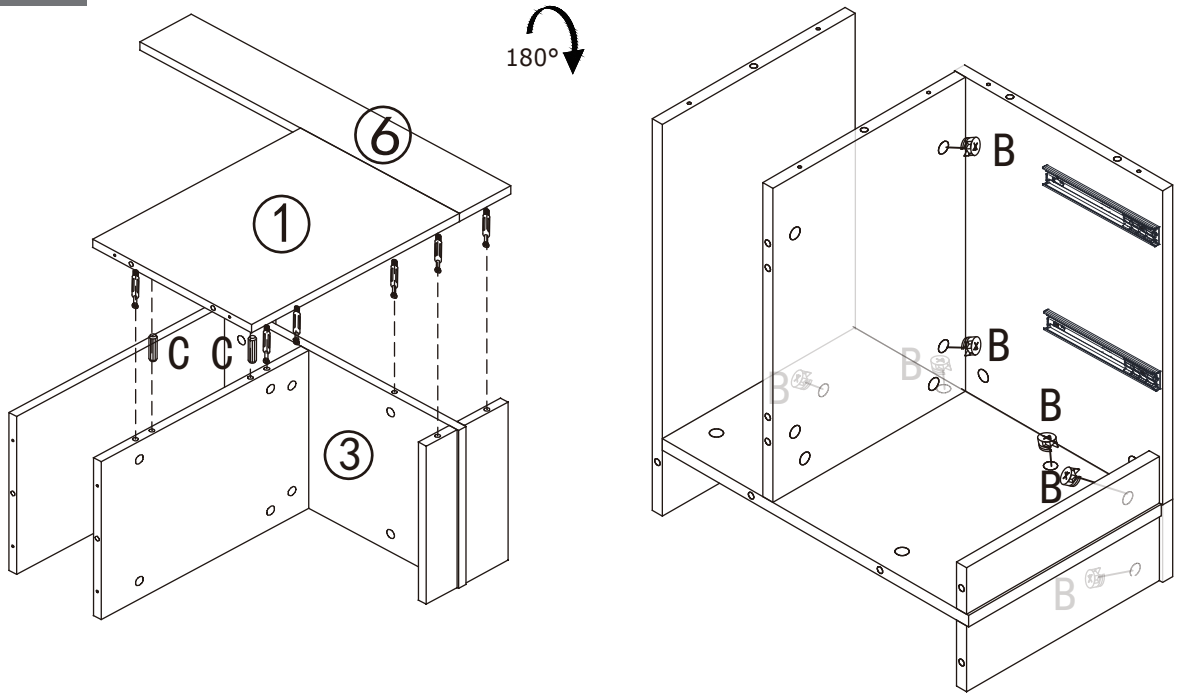


Step 6

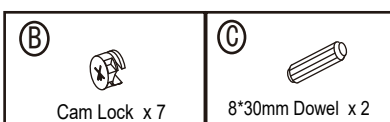
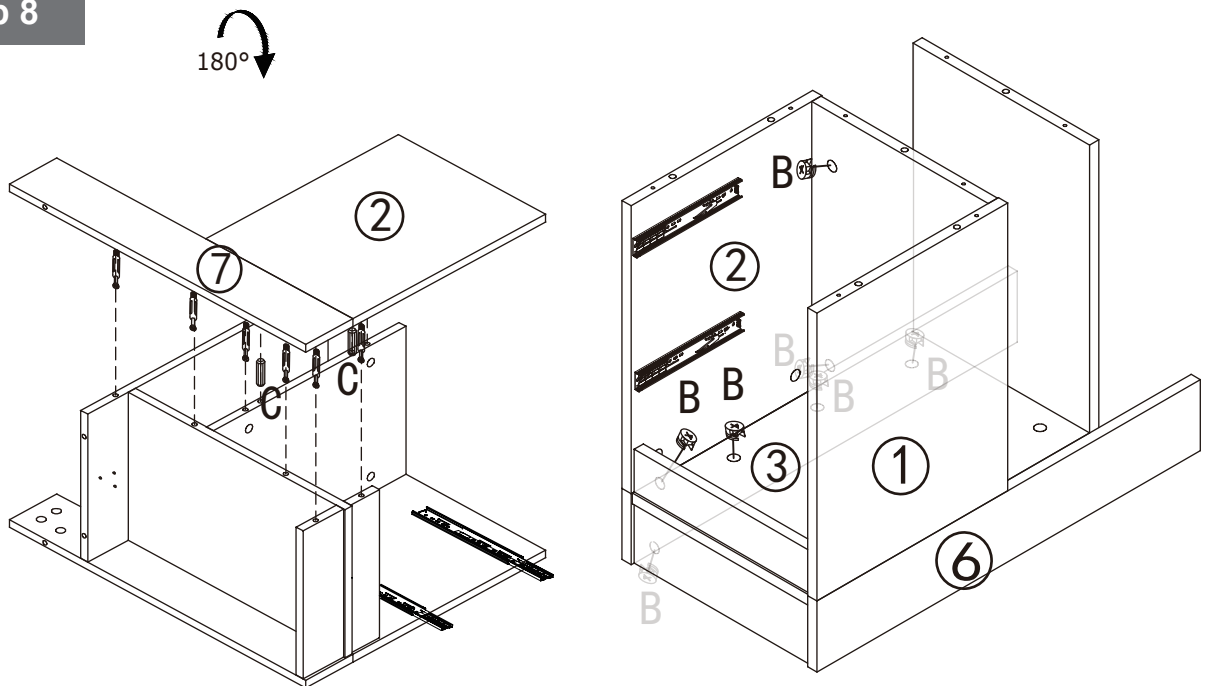


Assembly Instructions

Step 7

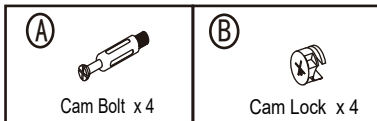
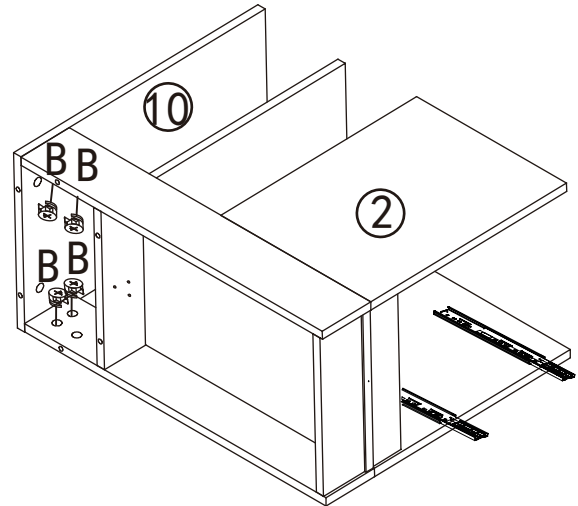
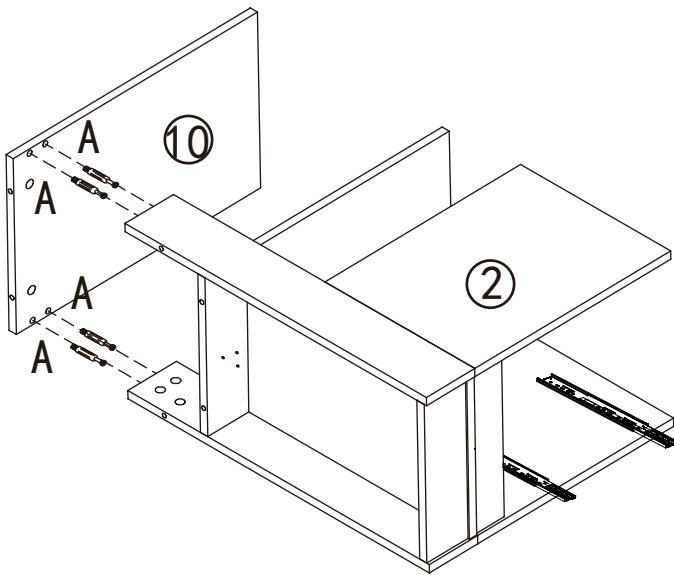


Step 8

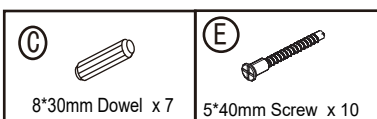
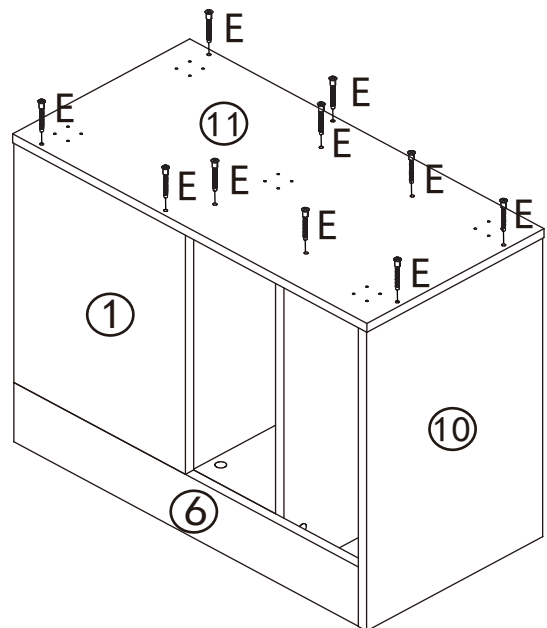
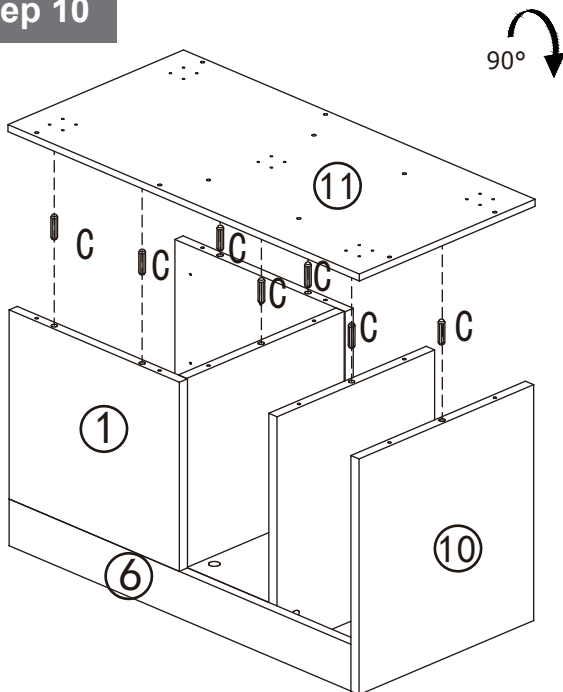


Assembly Instructions

Step 9

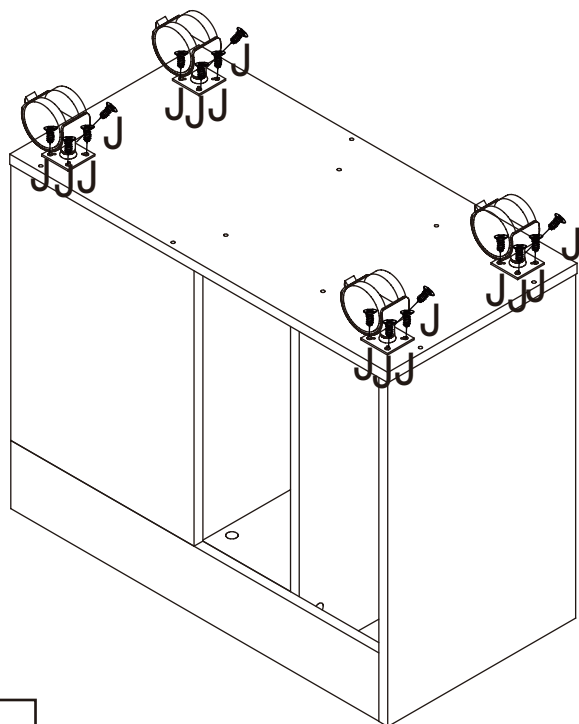


Step 10

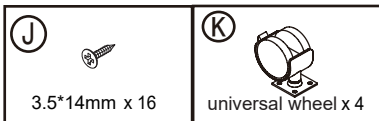
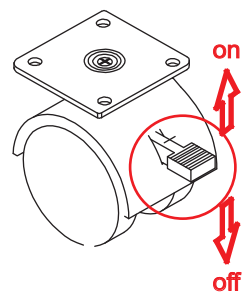


Assembly Instructions

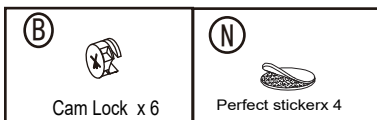
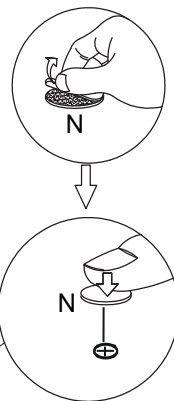
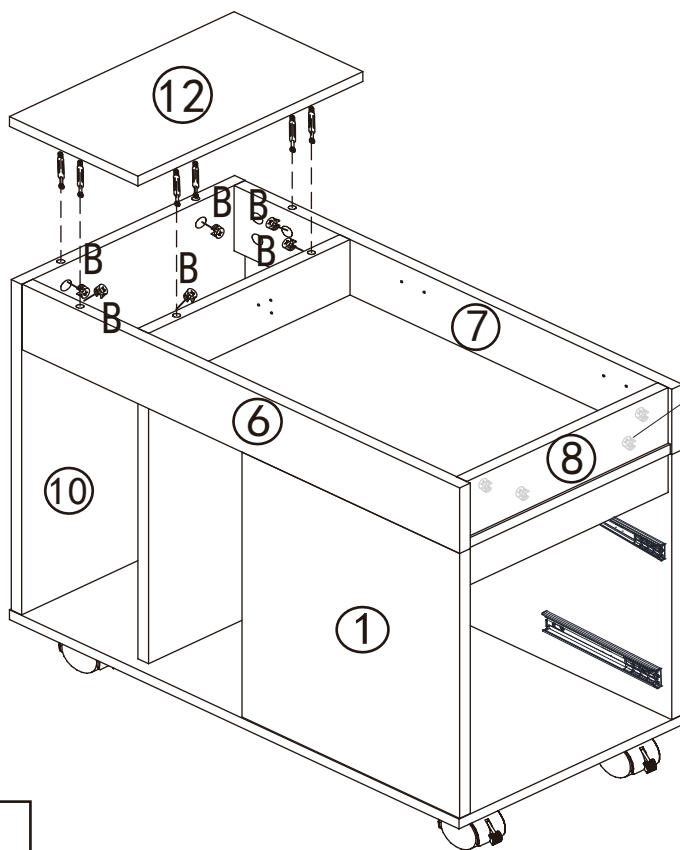
Step 11



Brake switch

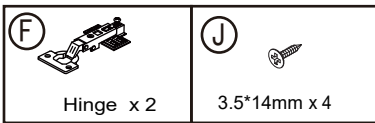
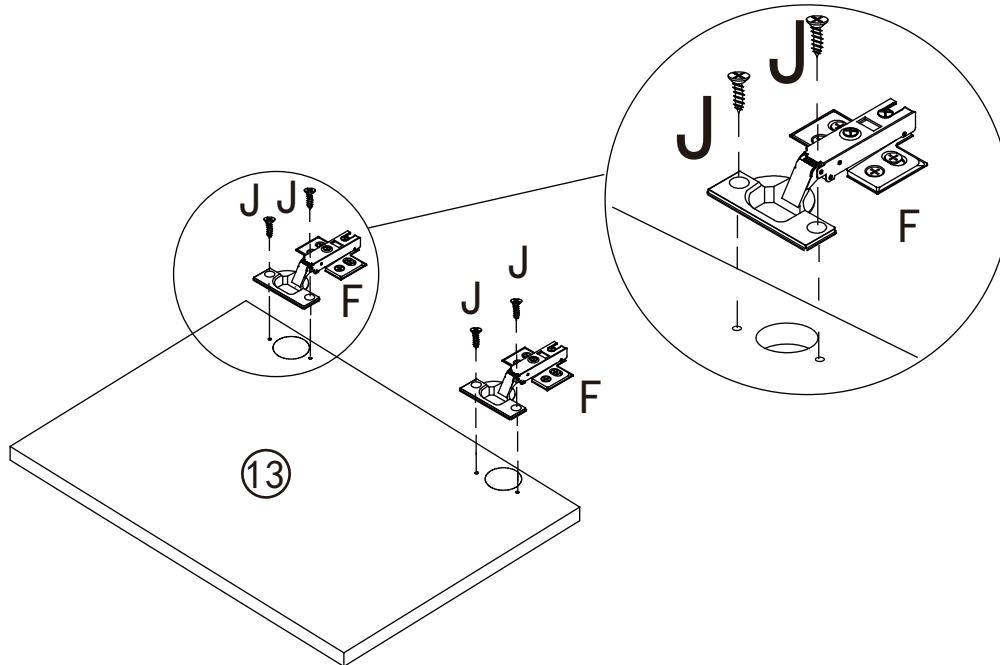


Step 12



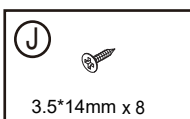
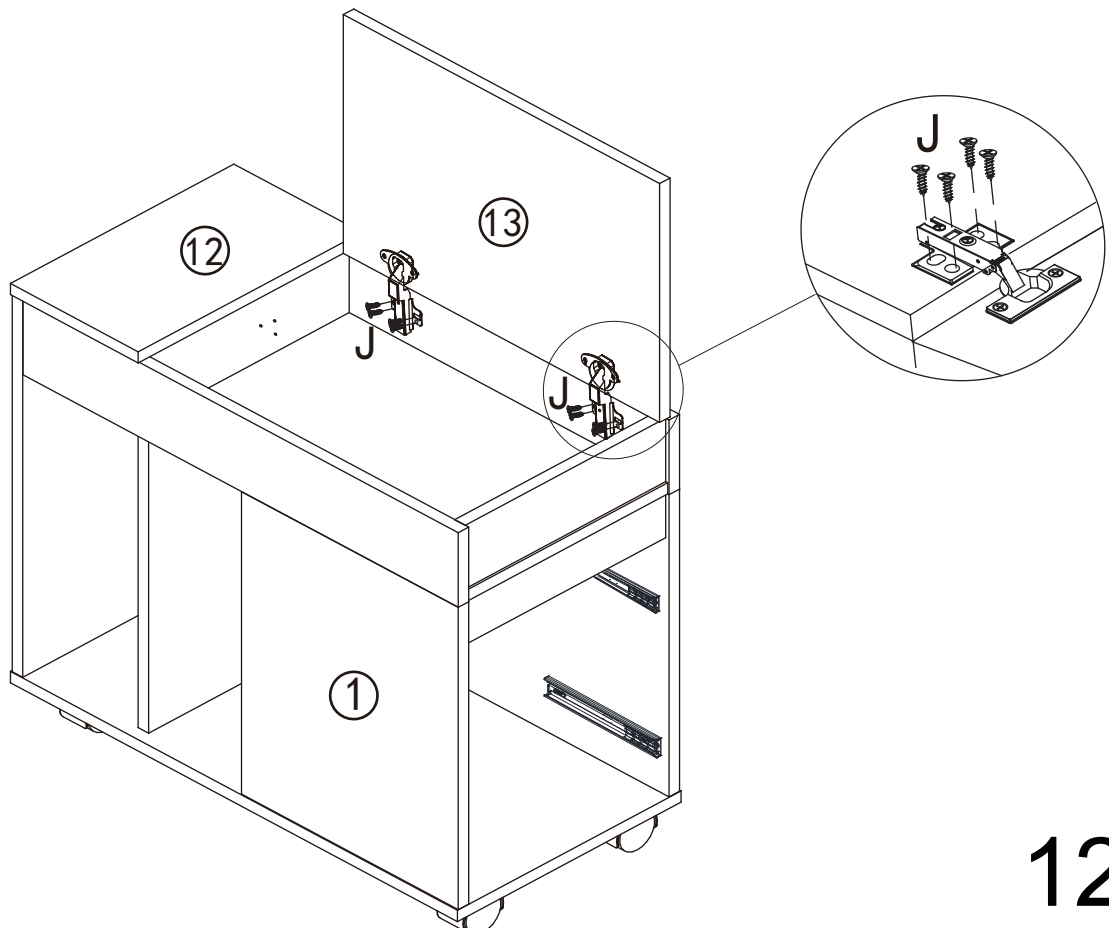
Assembly Instructions

Step 13



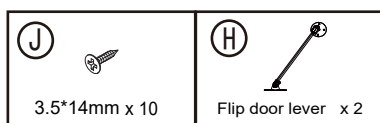
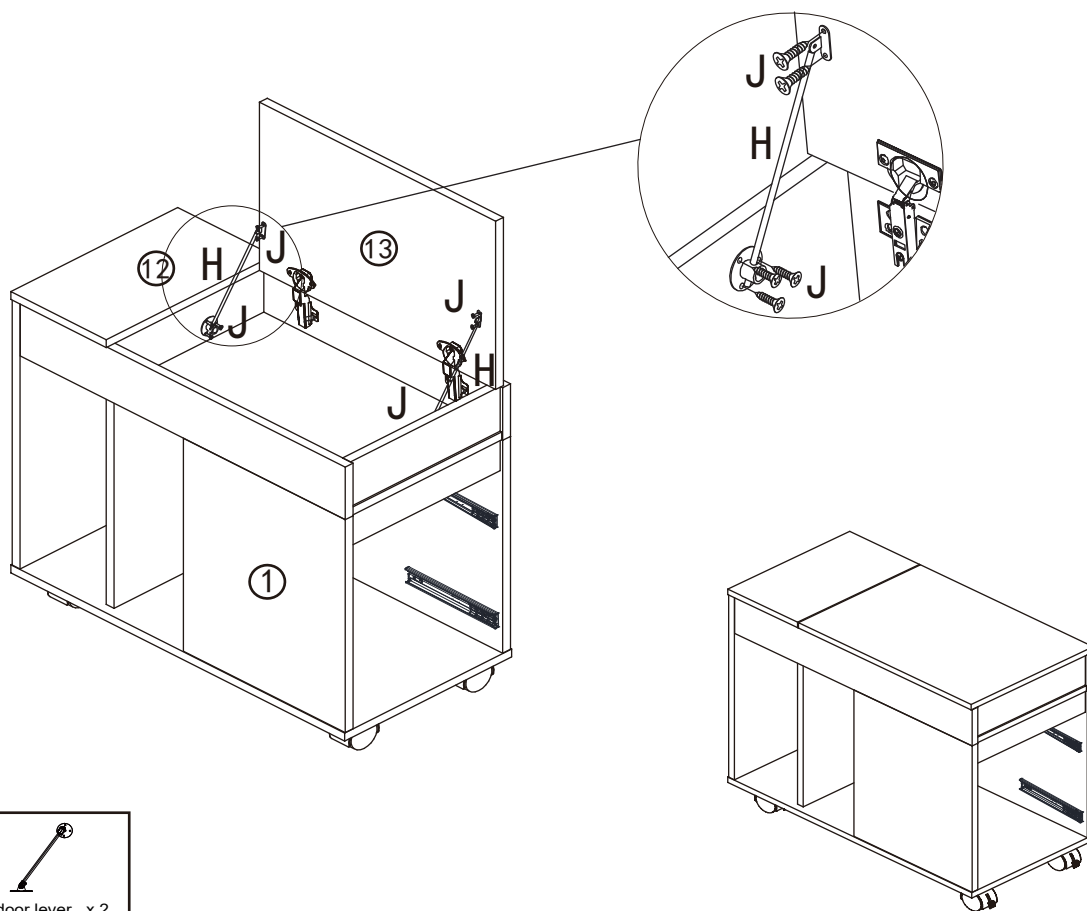
Step 14

180°

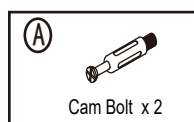
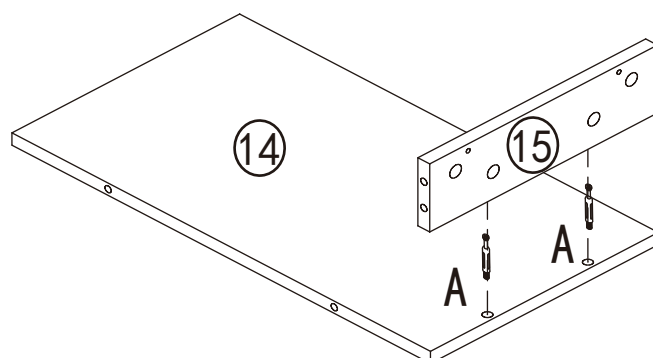


Assembly Instructions

Step 15

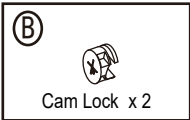
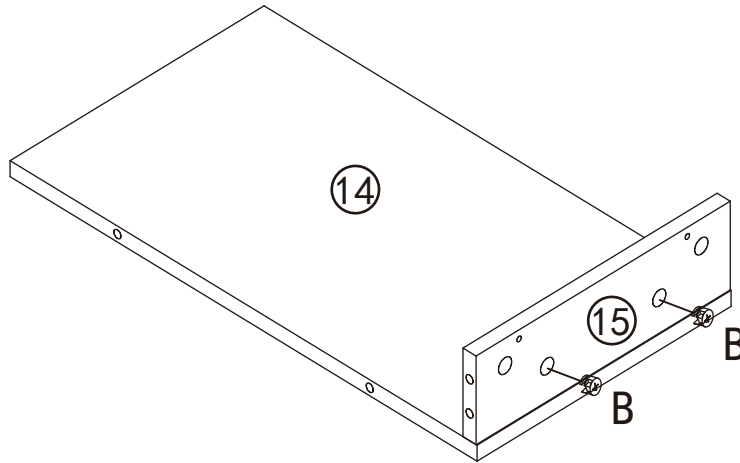


Step 16

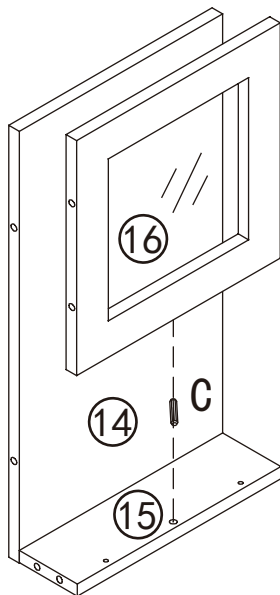


Assembly Instructions

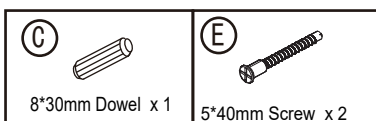
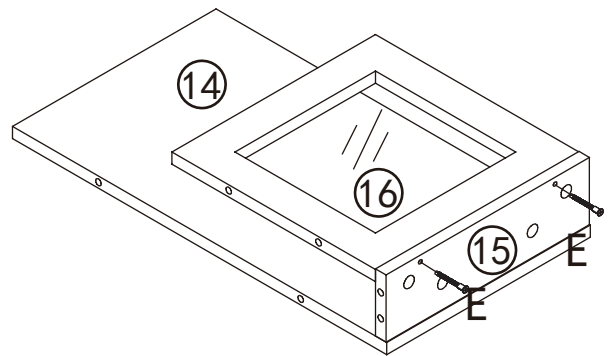
Step 17



Step 18

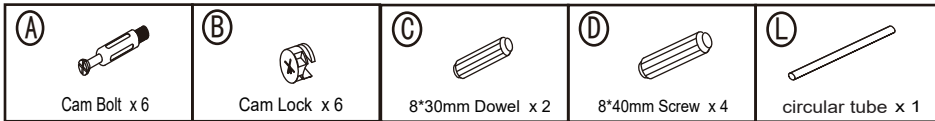
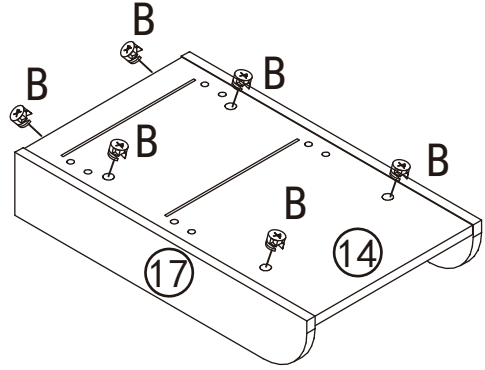
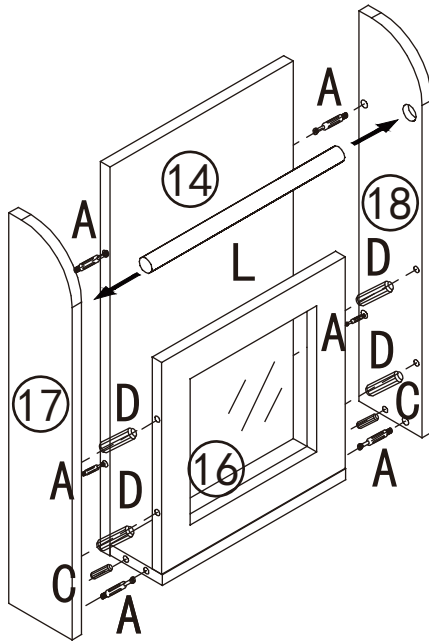


The uneven surface of the glass faces outward

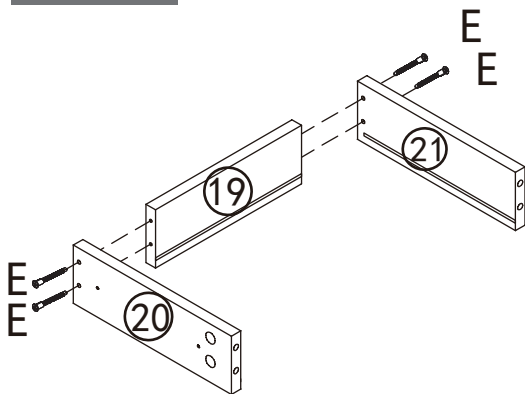


Assembly Instructions

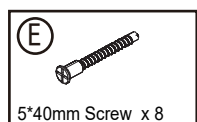
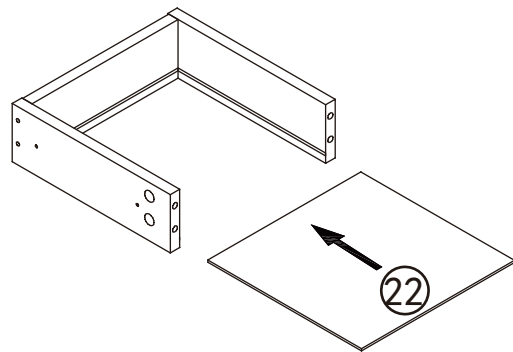
Step 19



Step 20

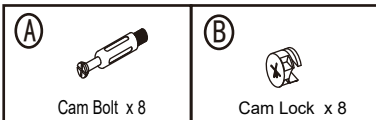
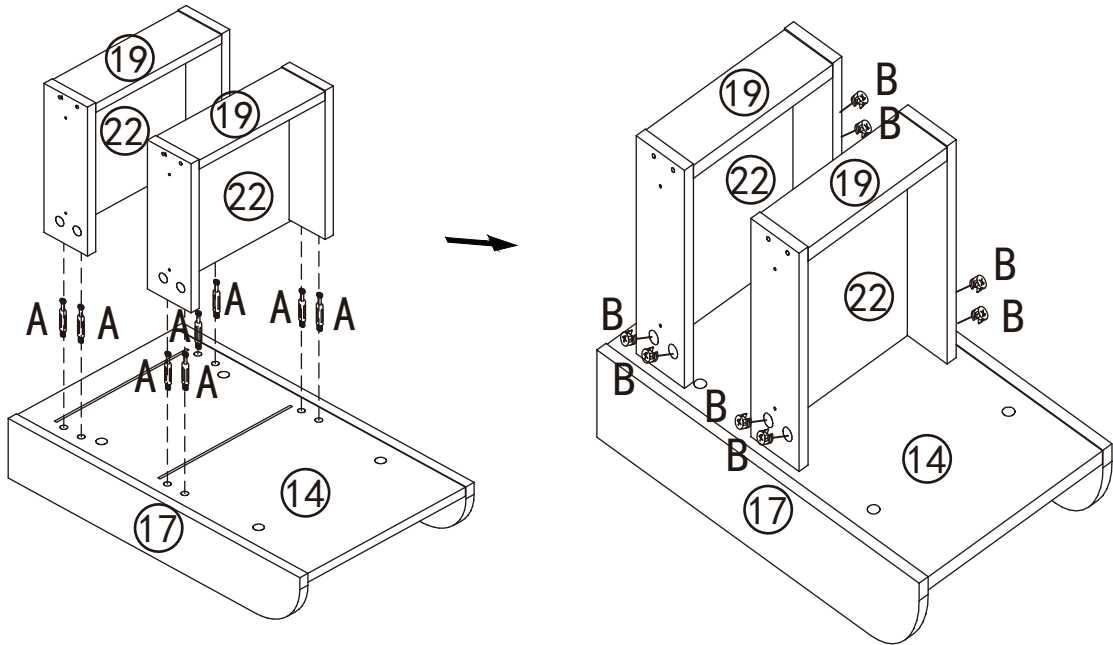


X2

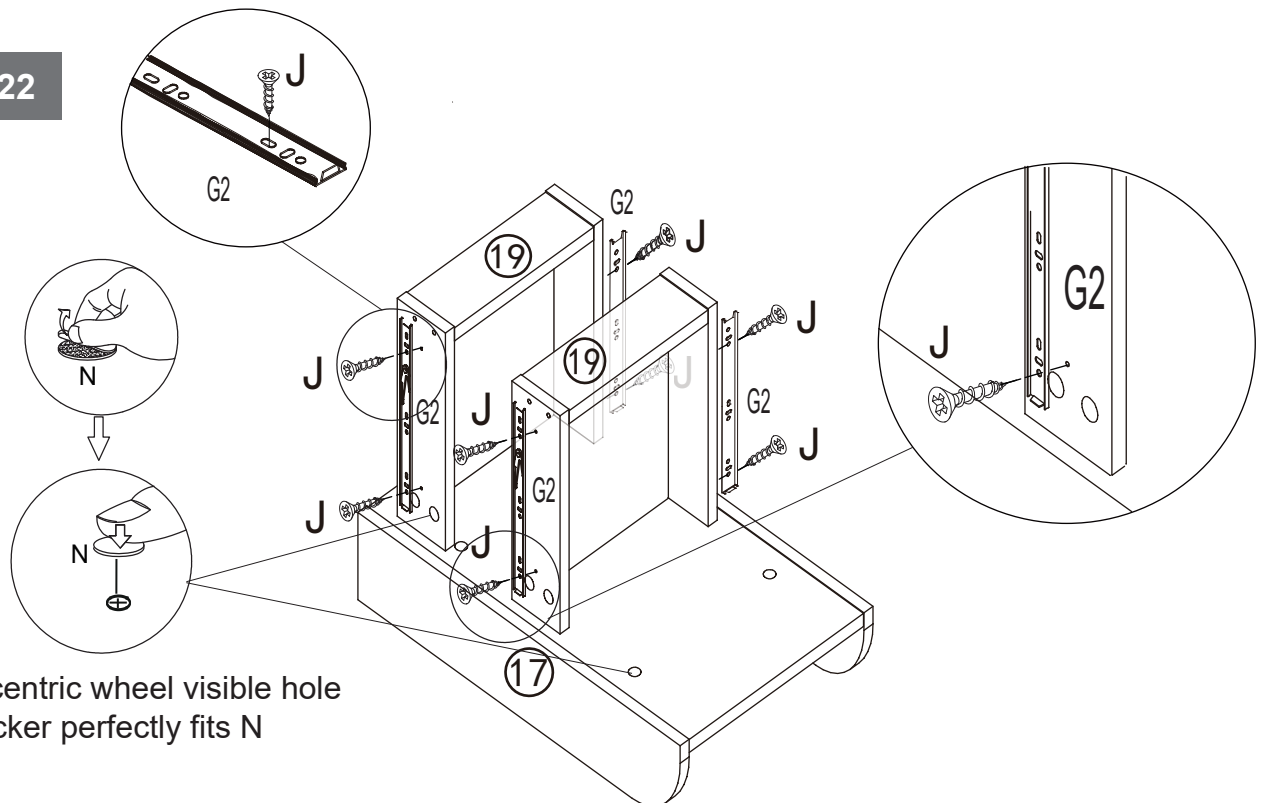


Assembly Instructions

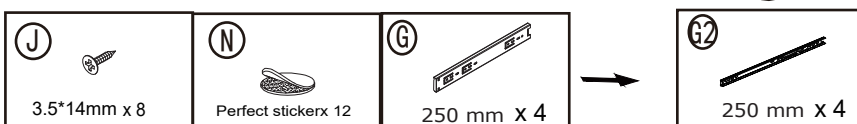
Step 21



Step 22

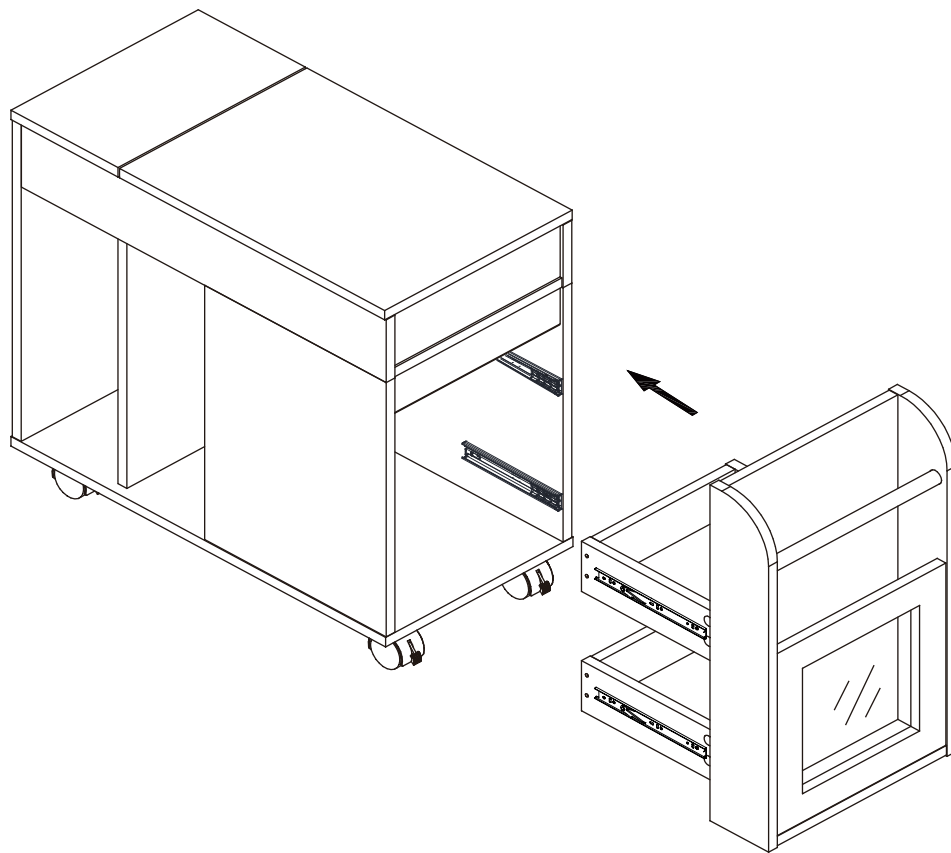


Eccentric wheel visible hole sticker perfectly fits N

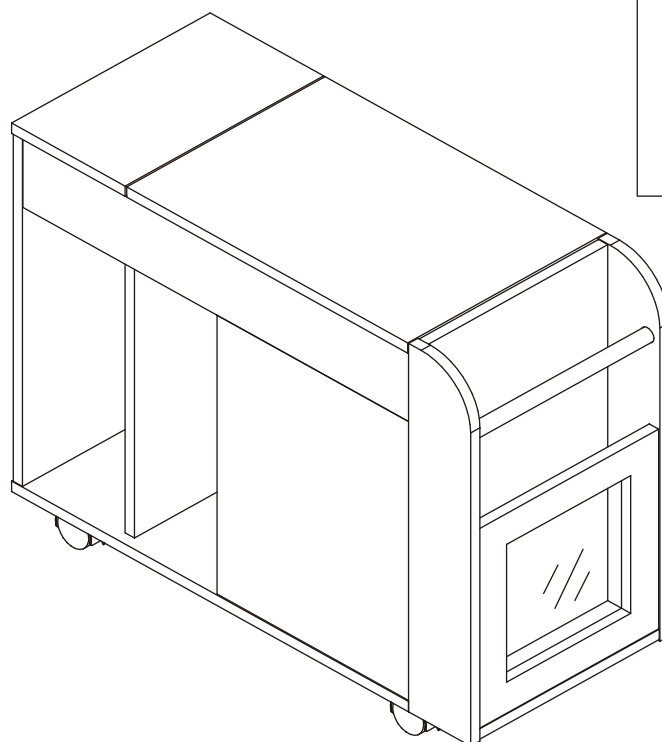


Assembly Instructions

Step 23



Step 24



There is a protective film,
please tear it off.