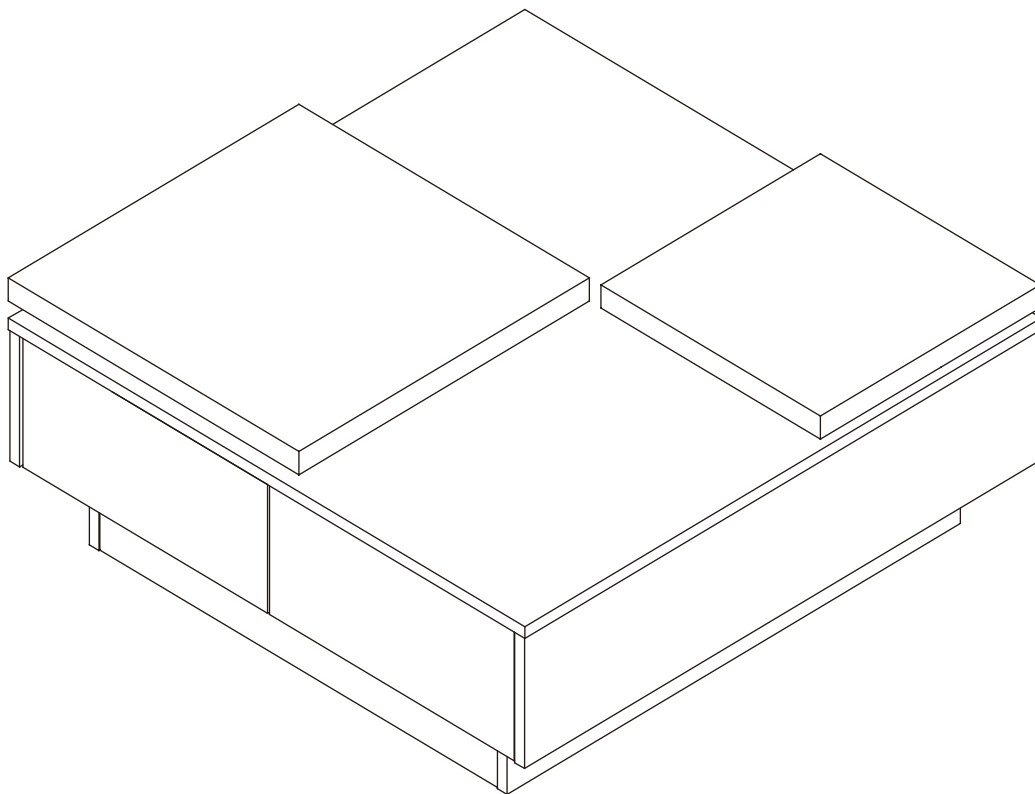


# Coffee Table

Assembly Instructions - Please keep for future reference



## Dimensions

Width-31.5inch

Depth-31.5inch

Height-13.0inch

Important – Please read these instructions fully before starting assembly



# Safety and Care Advice

**Important – Please read these instructions fully before starting assembly**

- Check you have all the components and tools listed on the following pages.
- Remove all fittings from the plastic bags and separate them into their groups.
- Keep children and animals away from the work area, small parts could choke if swallowed.
- Make sure you have enough space to layout the parts before starting.

- During assembly do not stand or put weight on the product, this could cause damage.
- Assemble the item as close to its final position (in the same room) as possible.
- Assemble on a soft level surface to avoid damaging the unit or your floor.
- Parts of the assembly will be easier with 2 people.



- To reduce the likelihood of damaging your product please ensure that your power drill is set on a low torque setting.

## Care and maintenance

- Only clean using a damp cloth and mild detergent, do not use bleach or abrasive cleaners.
- From time to time check that there are no loose screws on this unit.
- This product should not be discarded with household waste. Take to your local authority waste disposal centre.

## Handy Hints

- Assemble all parts and bolts loosely during assembly, only once the product is complete should you fully tighten the bolts
- Regularly check and ensure That all bolts and fittings are tightend properly.

**WARNING**  
**In order to help prevent overturning – please follow these instructions**

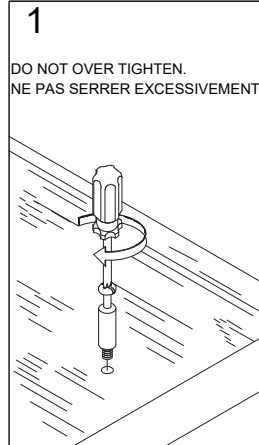
To help prevent product toppling over please follow the below steps:-

- Use the anti tip stap or wall fixing method provided (if applicable)
- Do not allow children to climb or hang on the furniture
- Do not open more than one drawer at a time
- Do not place heavy items in the top drawers
- Do not place heavy items on top of the furniture, unless the furniture has been designed for this purpose

# Using Camlocks

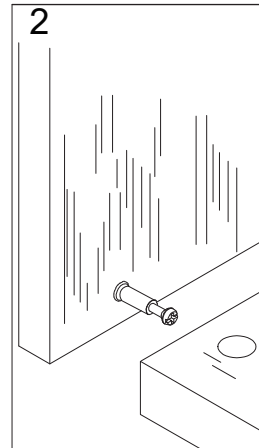
## Step 1

Connect the male camlock as directed in the assembly instructions using a screwdriver.



## Step 2

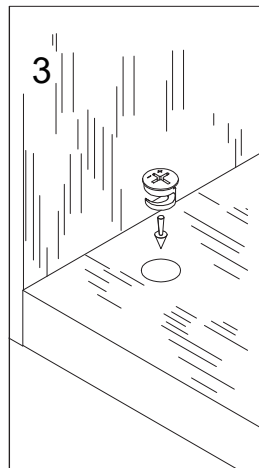
Push the male camlock into the entry hole.



## Step 3

Insert the female camlock as shown in the instruction.

Note: ensure that the arrow on the top of the camlock points towards the entry hole for the male camlock.

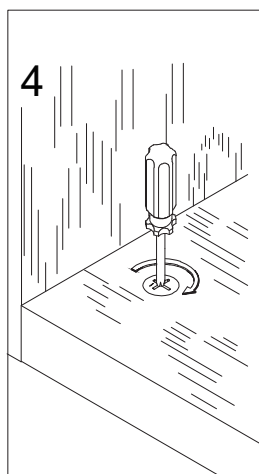


## Step 4

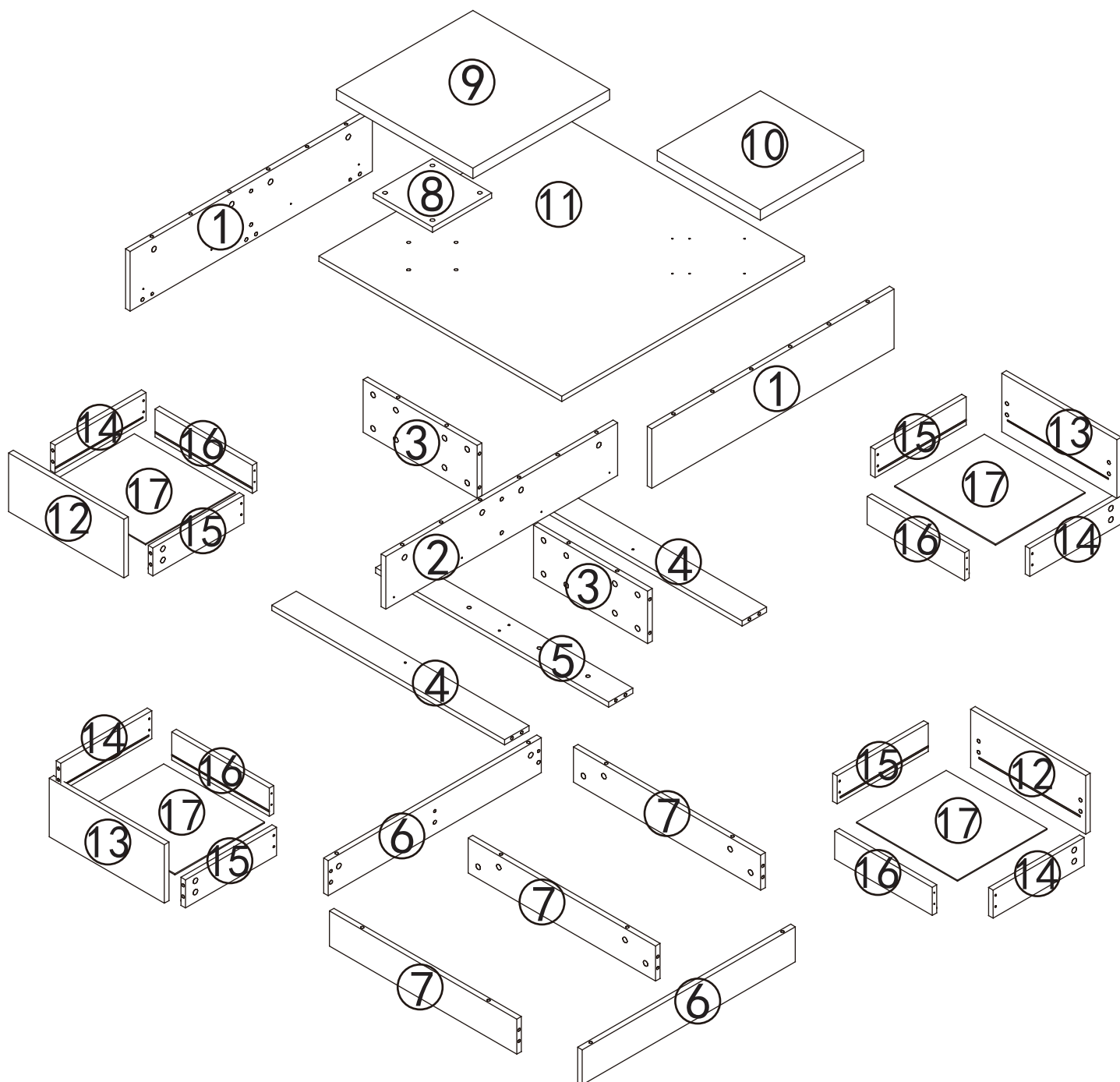
Turn the female camlock clockwise with a screwdriver.

You should feel a click when the camlock is locked in place.

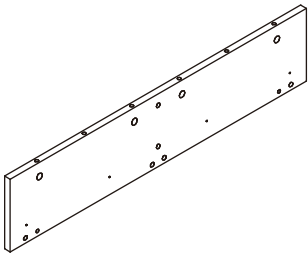
The joint is now secure.



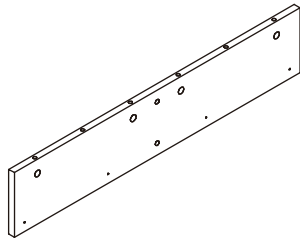
# Assembly Instructions



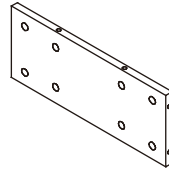
# Assembly Instructions



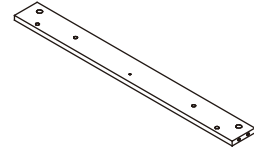
① x2



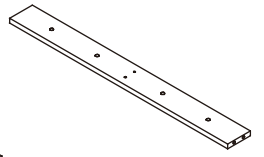
② x1



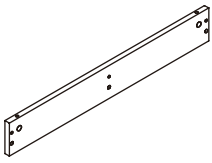
③ x2



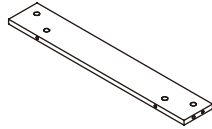
④ x2



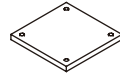
⑤ x1



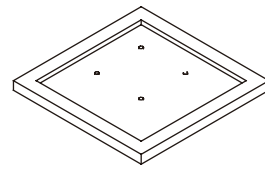
⑥ x2



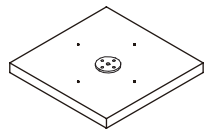
⑦ x3



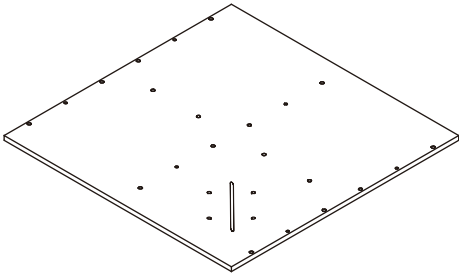
⑧ x1



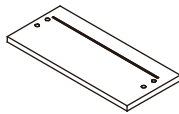
⑨ x1



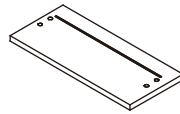
⑩ x1



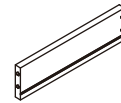
⑪ x1



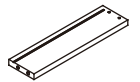
⑫ x2



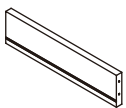
⑬ x2



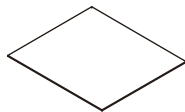
⑭ x4



⑮ x4



⑯ x4

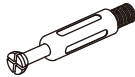

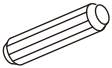

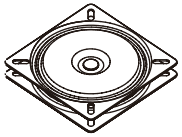
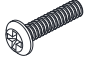
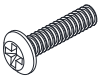
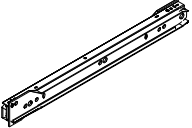
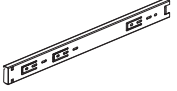

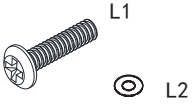
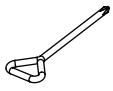


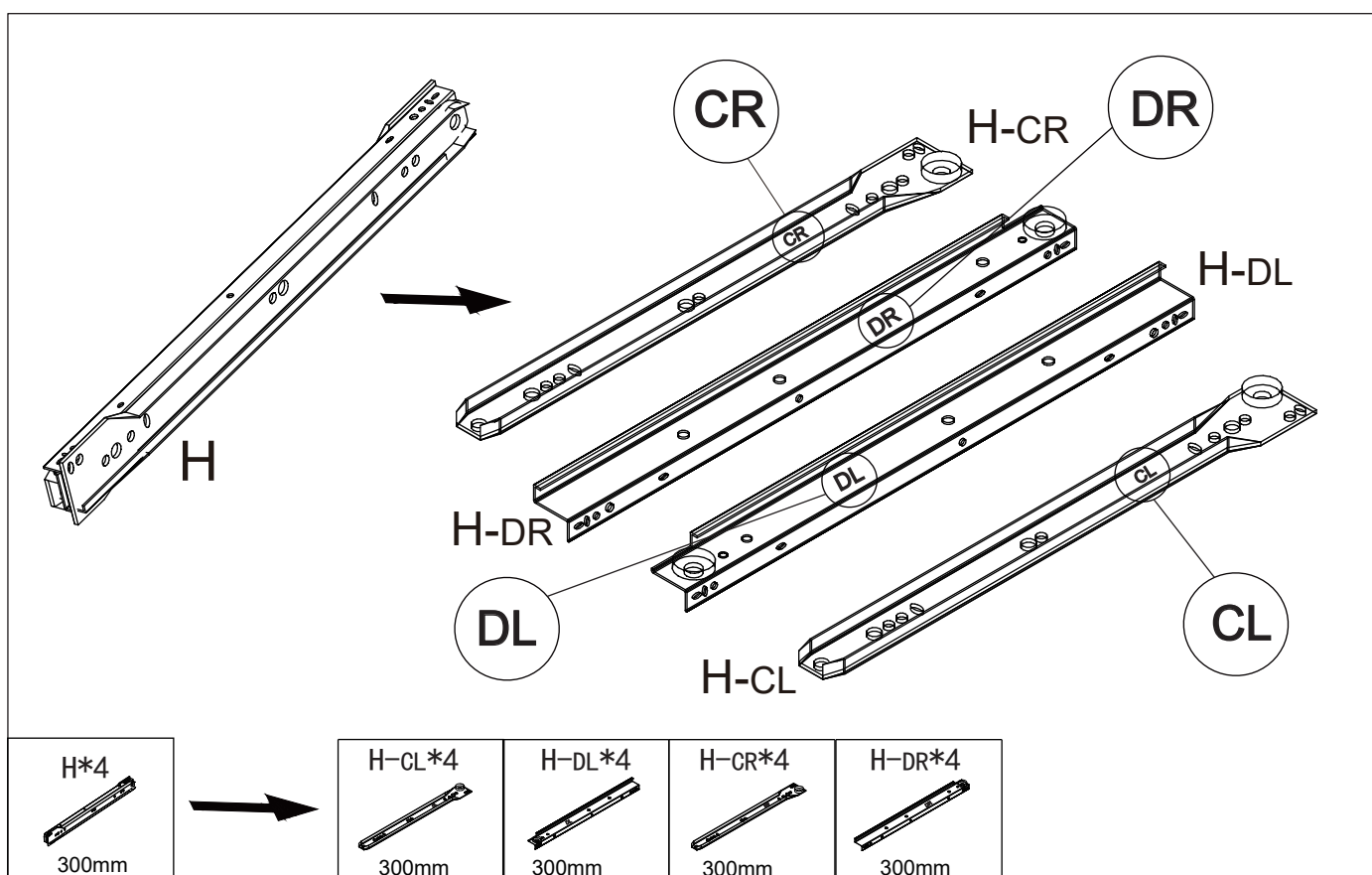
⑰ x4

# Components-Fittings

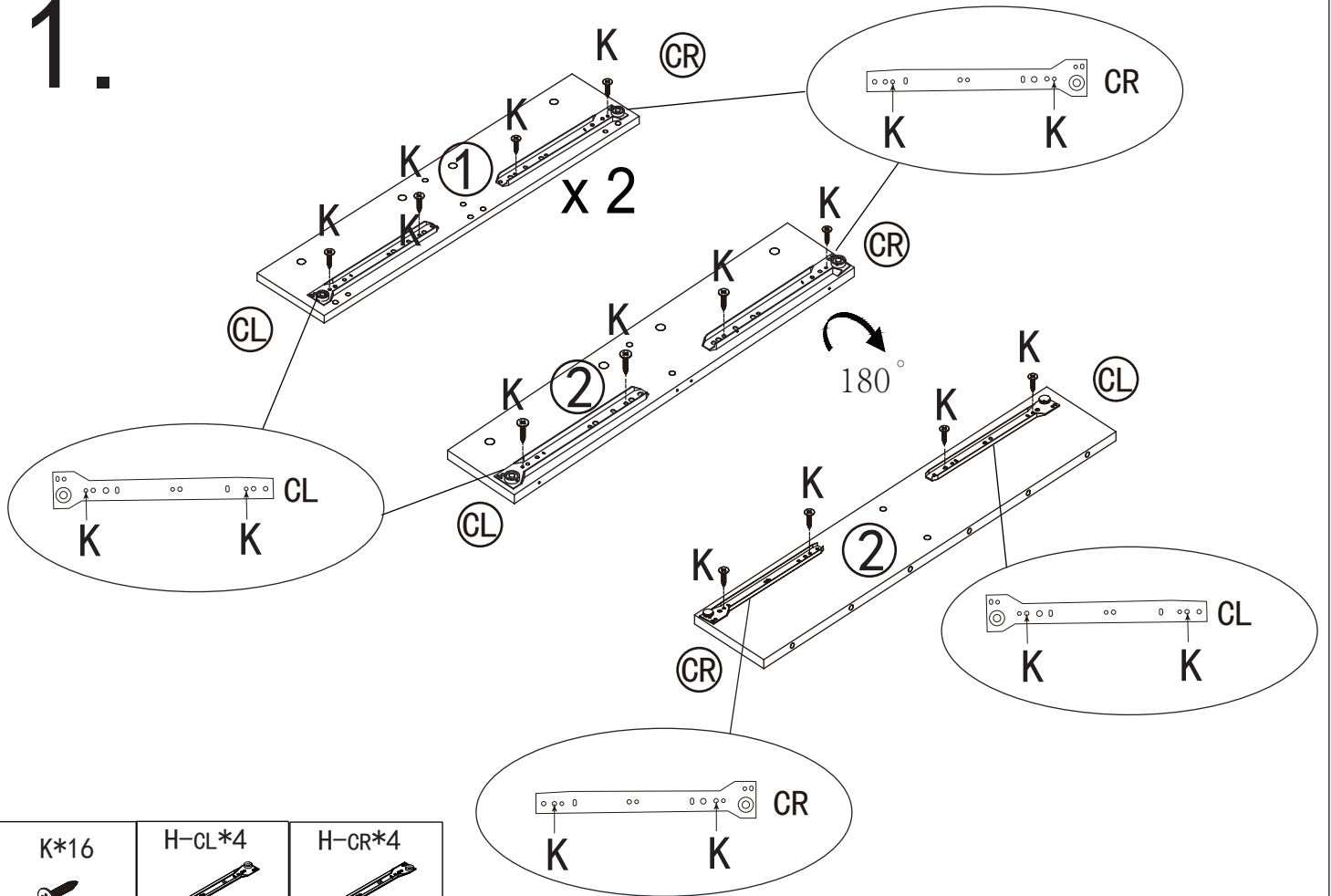
Please check you have all the panels listed below

Note: The quantities below are the correct amount to complete the assembly. In some cases more fittings may be supplied than are required.

<p><b>(A)</b></p>  <p>Cam Bolt x 68+3</p>	<p><b>(B)</b></p>  <p>Cam Lock x 68+3</p>	<p><b>(C)</b></p>  <p>8*30mm Dowel x 16+1</p>	<p><b>(D)</b></p>  <p>3.5*40mm Screw x 20+1</p>
<p><b>(E)</b></p>  <p>195*195*22 mm turntable x 1</p>	<p><b>(F)</b></p>  <p>8*12mm Screw x 8+1</p>	<p><b>(G)</b></p>  <p>8*25mm Screw x 4+1</p>	<p><b>(H)</b></p>  <p>300mm Drawer slide x 4</p>
<p><b>(J)</b></p>  <p>250mm x 2</p>	<p><b>(K)</b></p>  <p>3.5*14mm Screw x 42+2</p>	<p><b>(L)</b></p>  <p>8*40mm Screw x 1</p>	<p><b>(M)</b></p>  <p>Screwdriver x 1</p>



# 1.

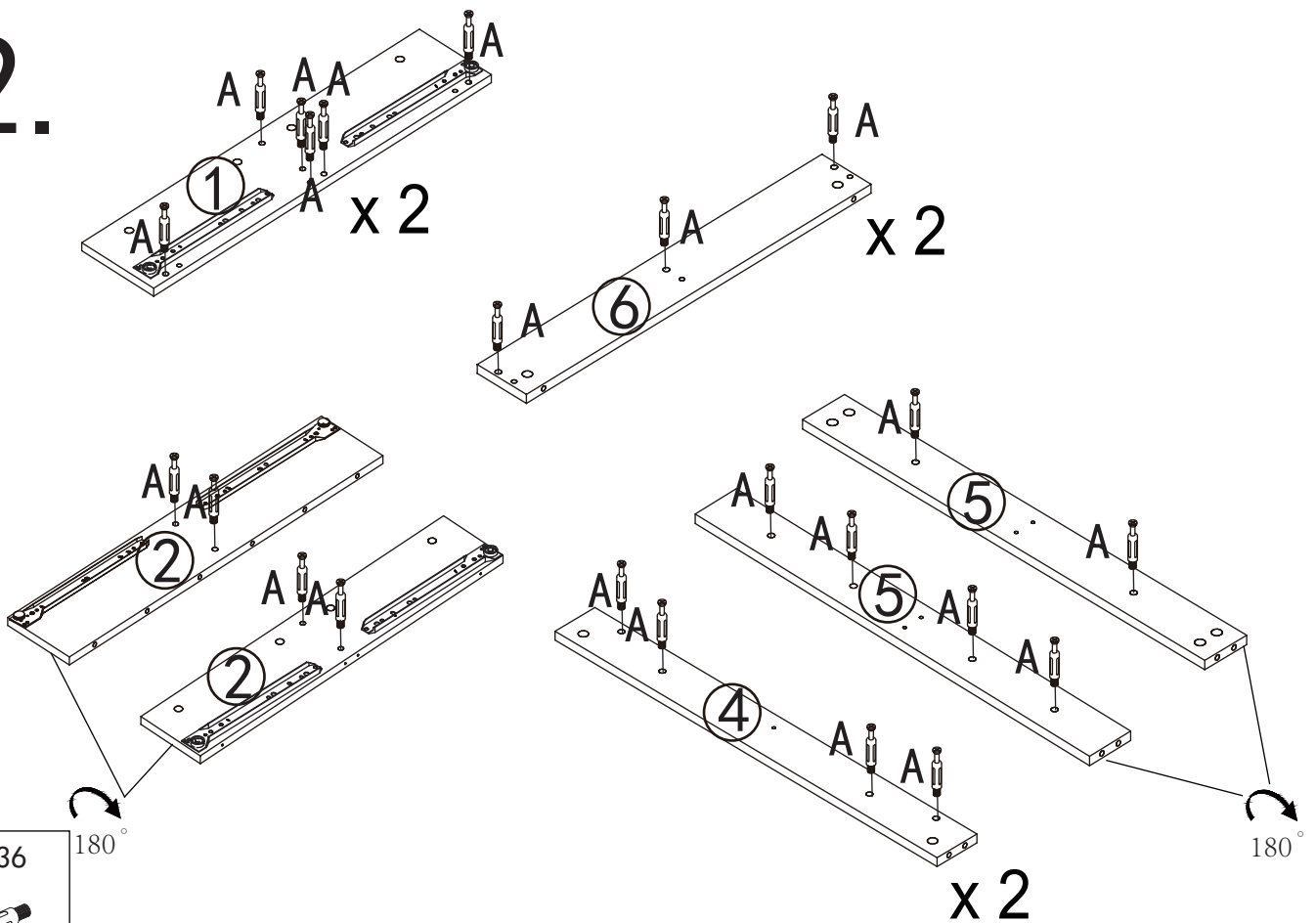


K\*16  
φ 3.5 x 14 mm

H-CL\*4  
300 mm

H-CR\*4  
300 mm

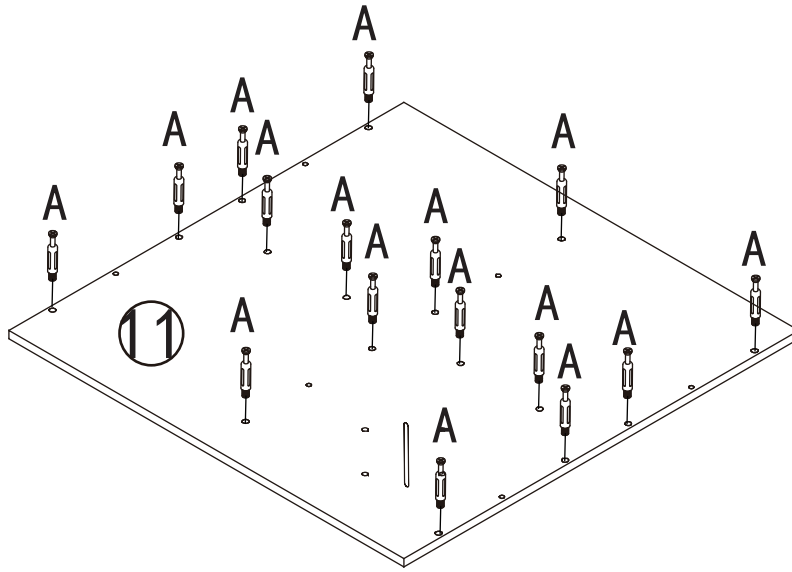
# 2.



A\*36



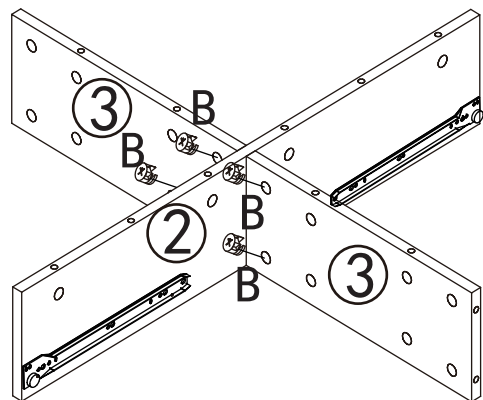
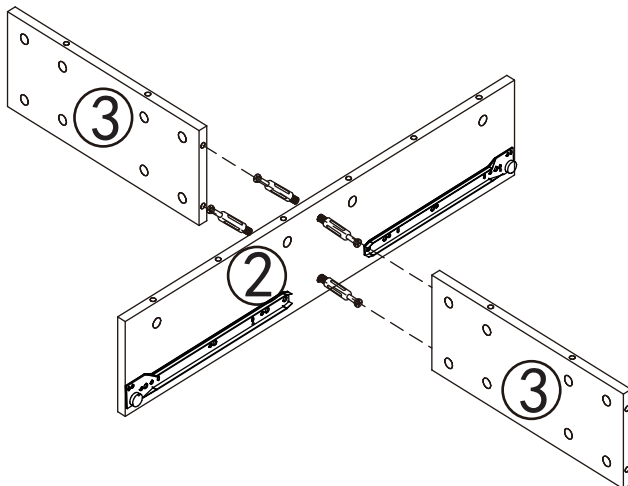
# 3.



A\*16



# 4.

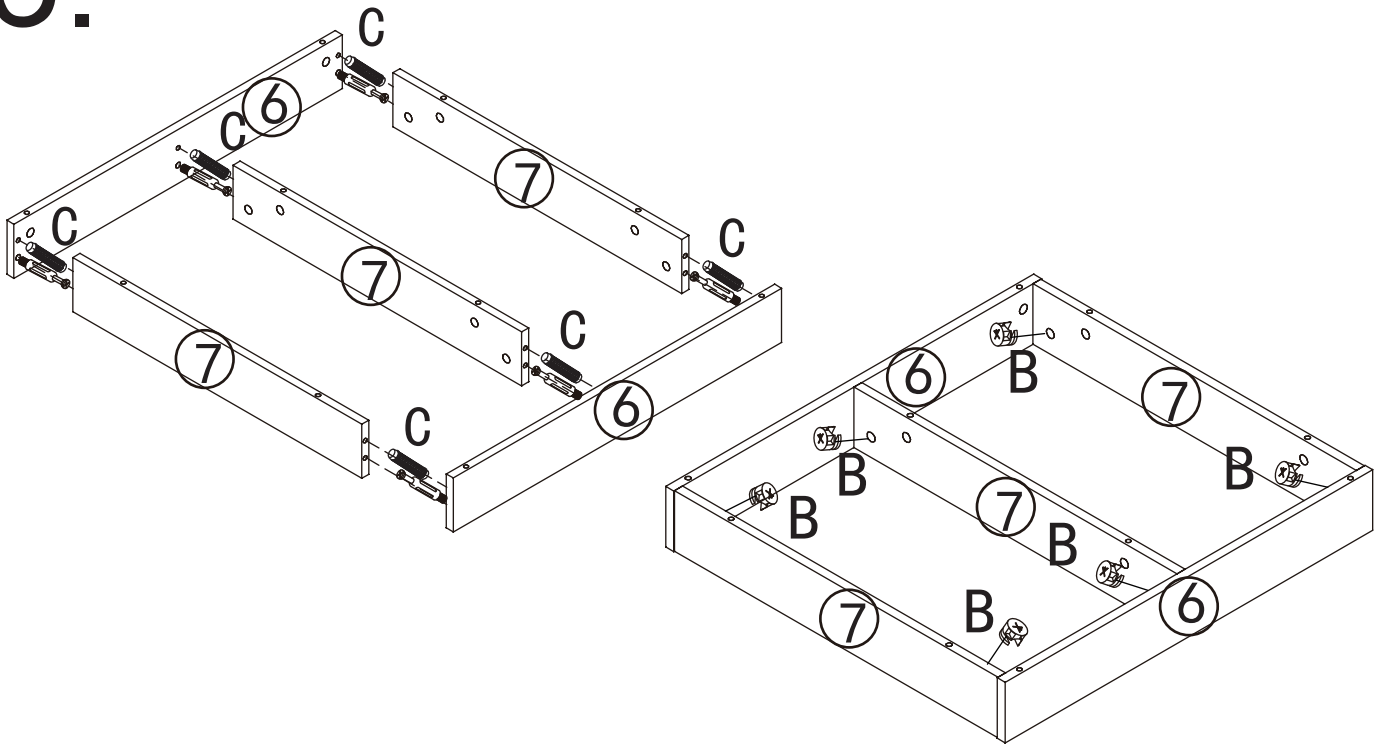



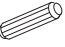
B\*4



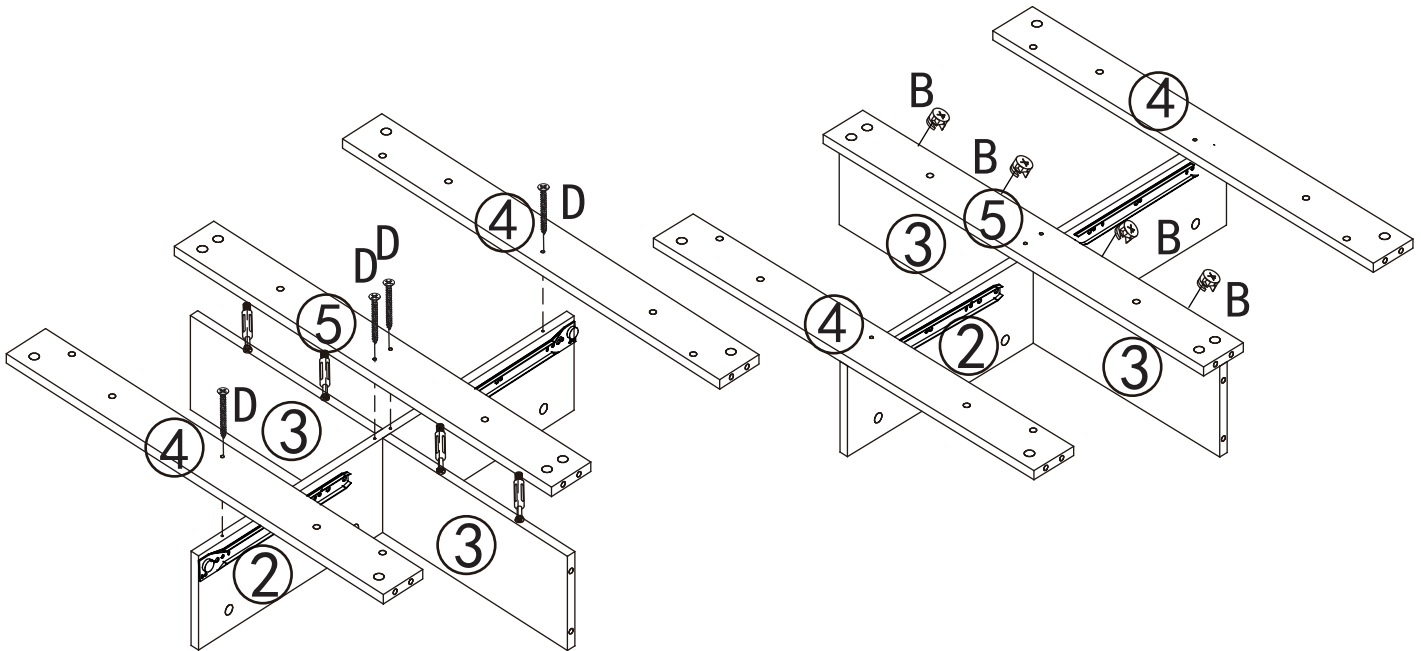




# 5.



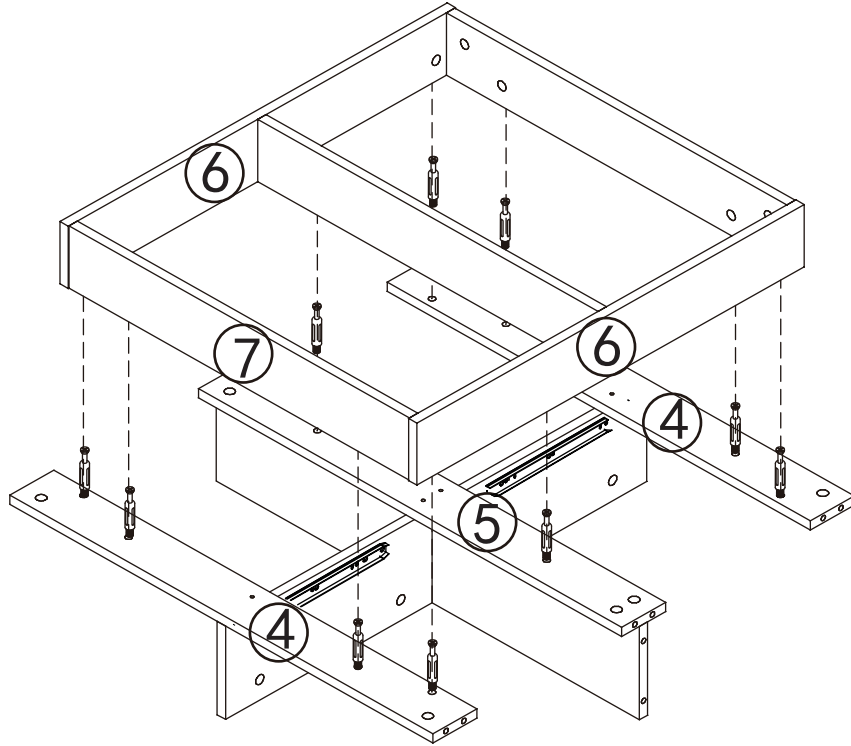
<p><b>B*6</b></p> 	<p><b>C*6</b></p>  <p>Ø8 x 30 mm</p>
---	---

# 6.

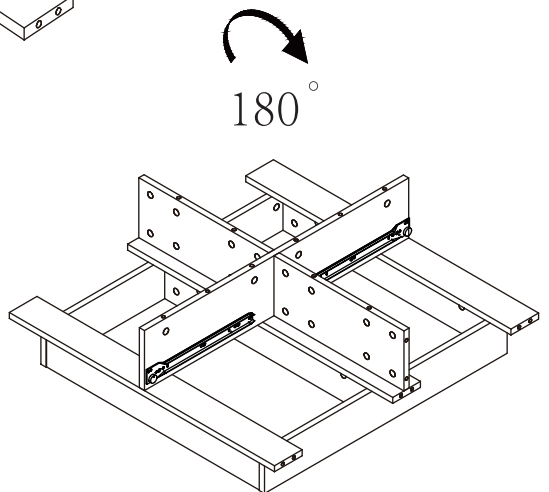
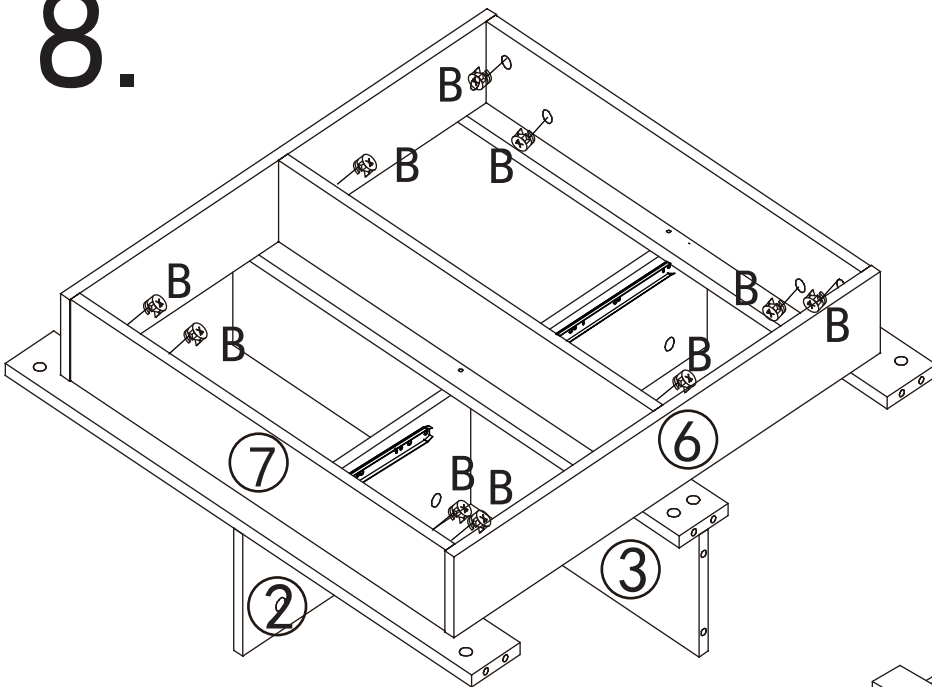


<p><b>D*4</b></p>  <p>Ø3.5 x 40 mm</p>	<p><b>B*4</b></p> 
--	---

# 7.



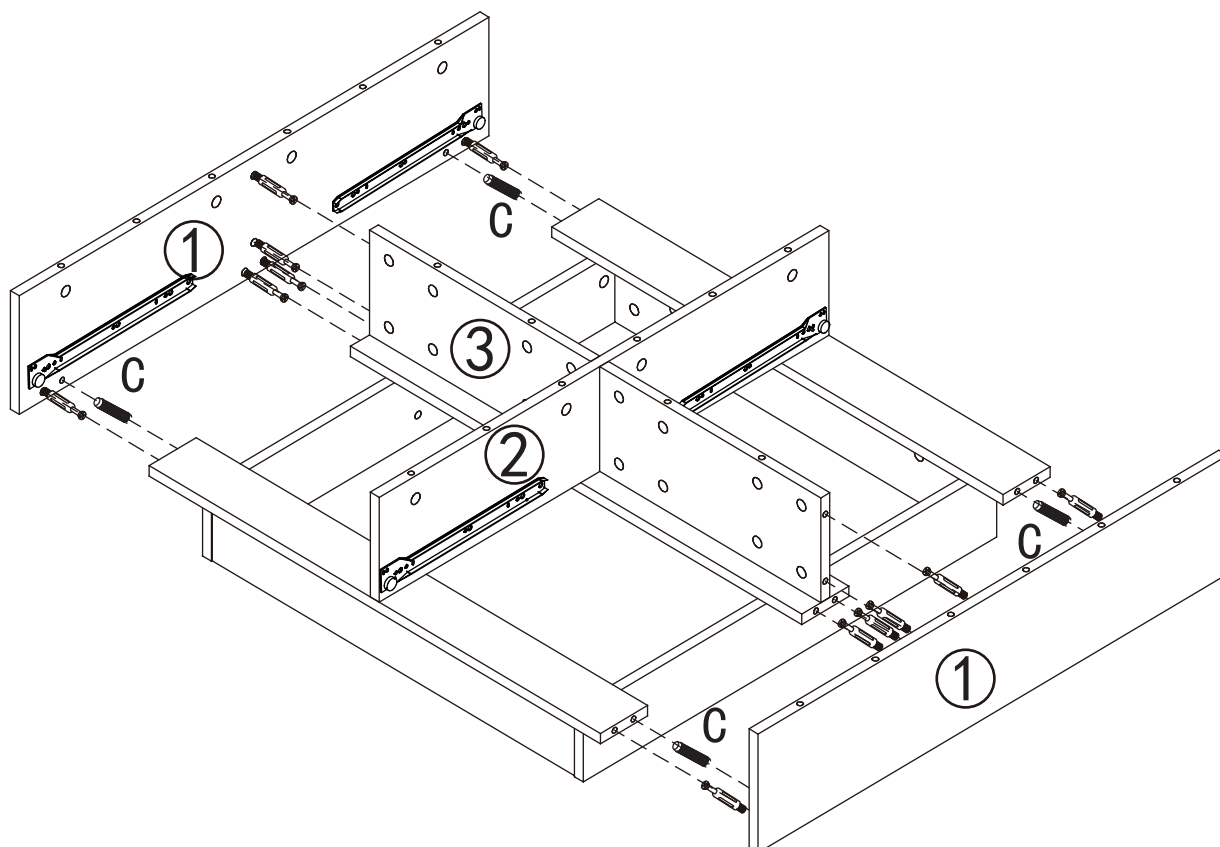
# 8.



B\*10



# 9.

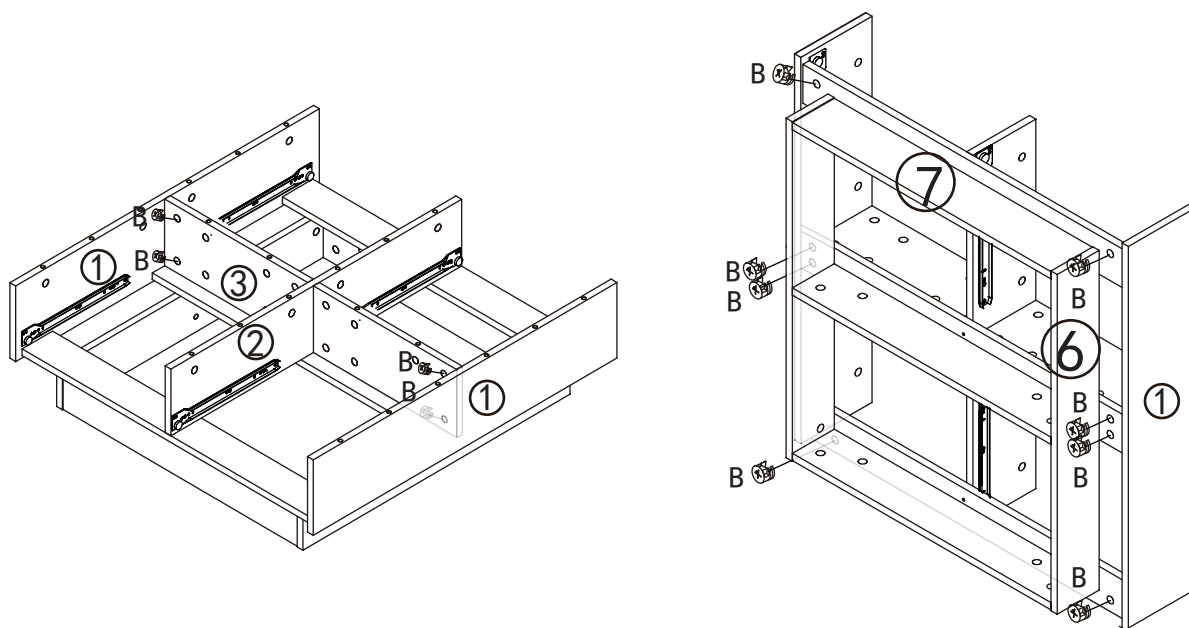


C\*4



∅8 x 30 mm

# 10.

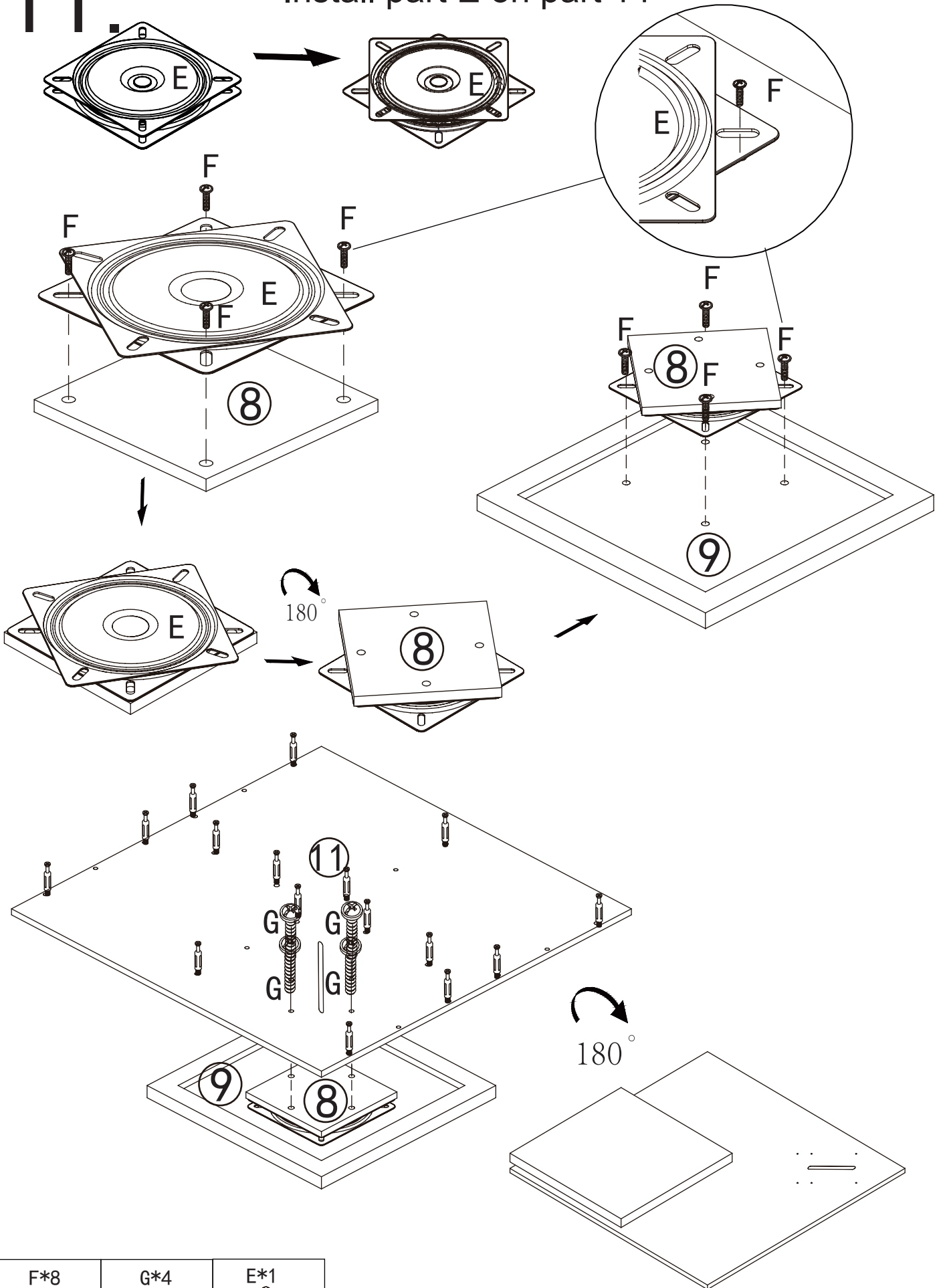


B\*12



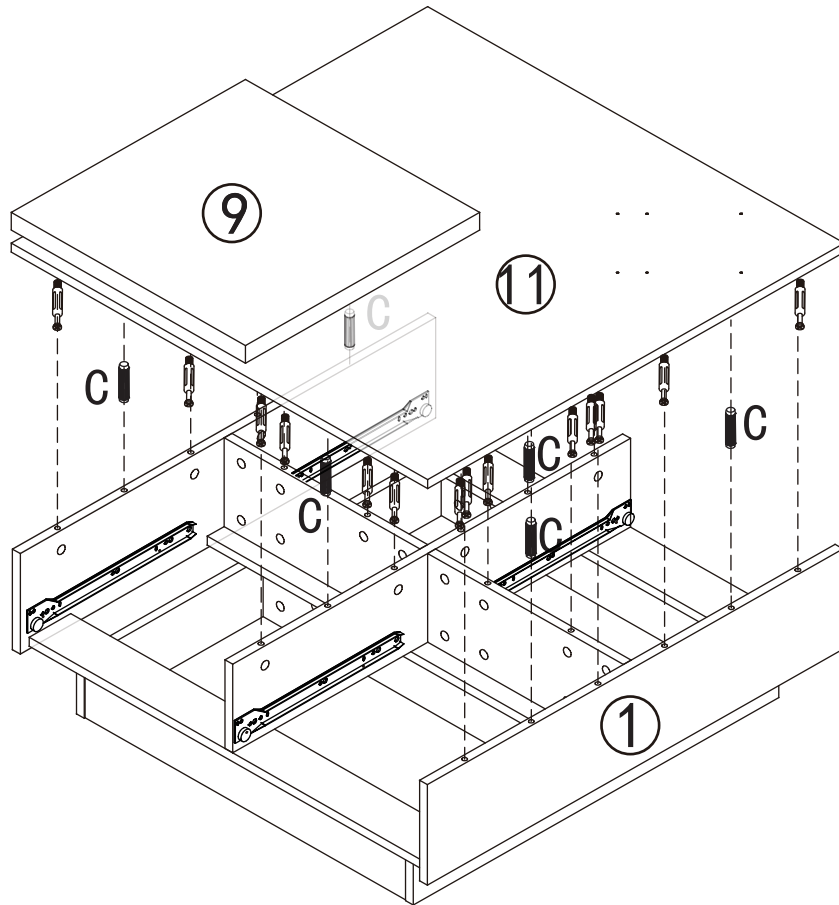
# 11

Install part E on part 14



<b>F*8</b>  ø8 x 12 mm	<b>G*4</b>  ø8 x 25 mm	<b>E*1</b> 
---	---	---

# 12.

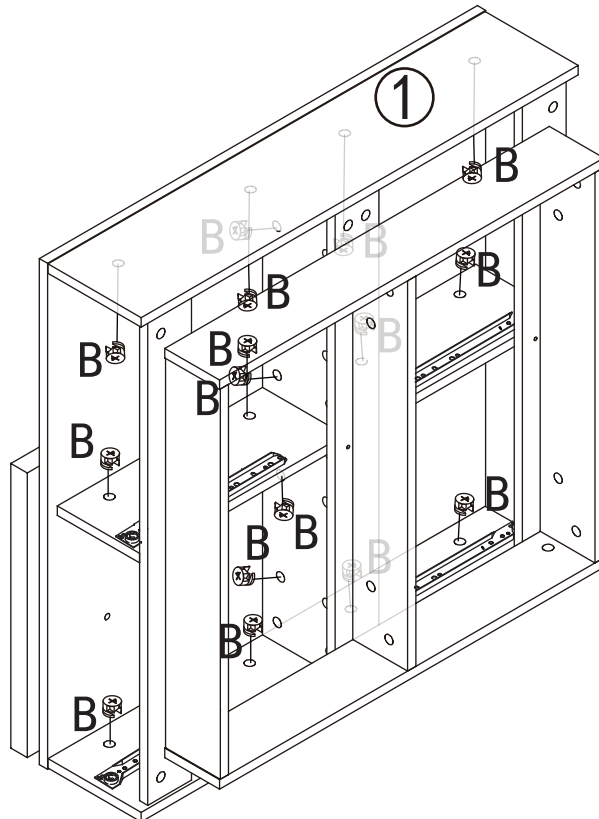


C\*6



∅8 x 30 mm

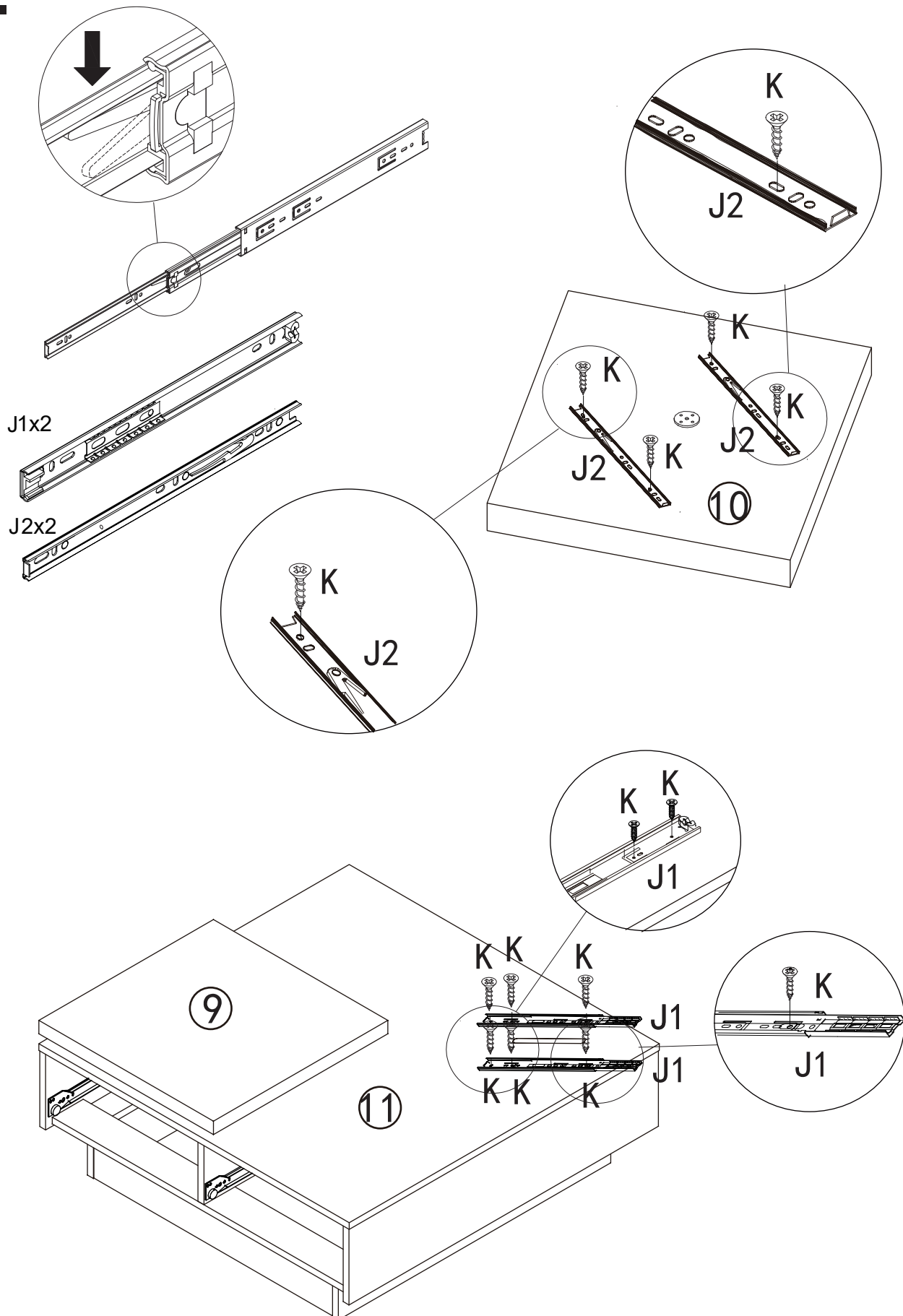
# 13.



B\*16



# 14.



K\*10



∅ 3.5 x 14 mm

J-J1\*2



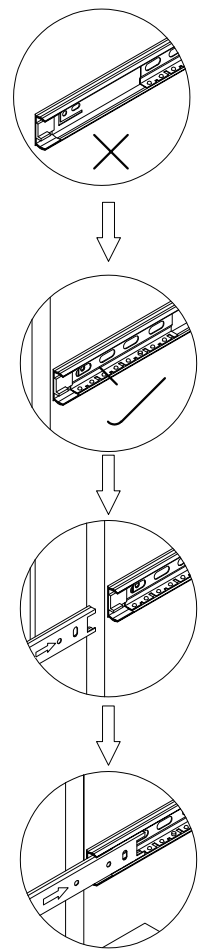
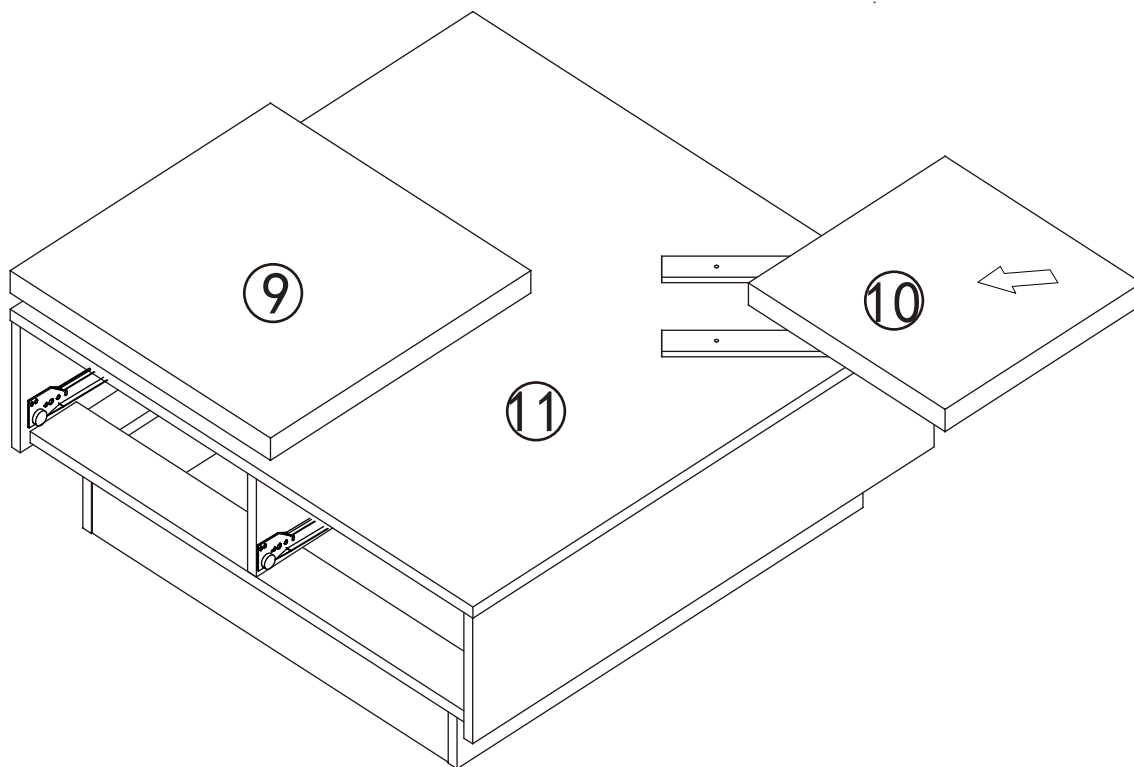
250 mm

J-J2\*2



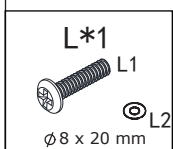
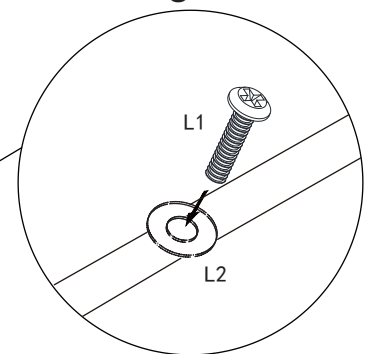
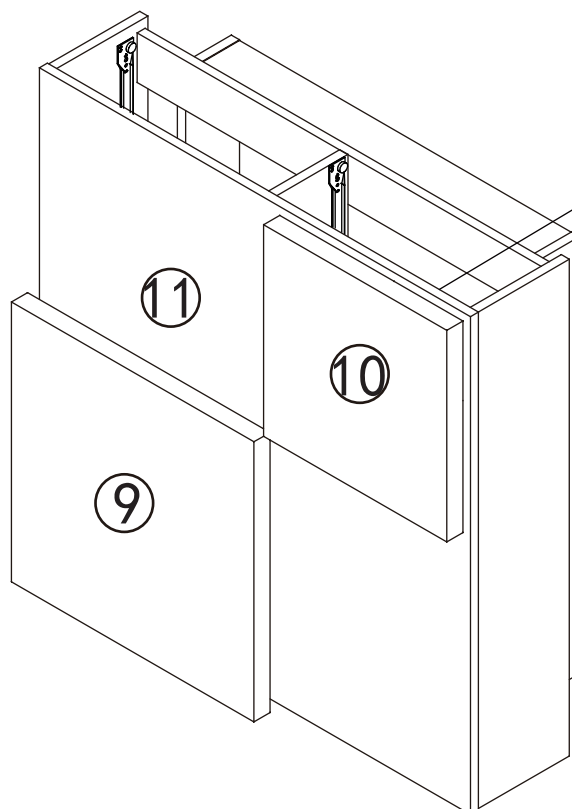
250 mm

# 15.

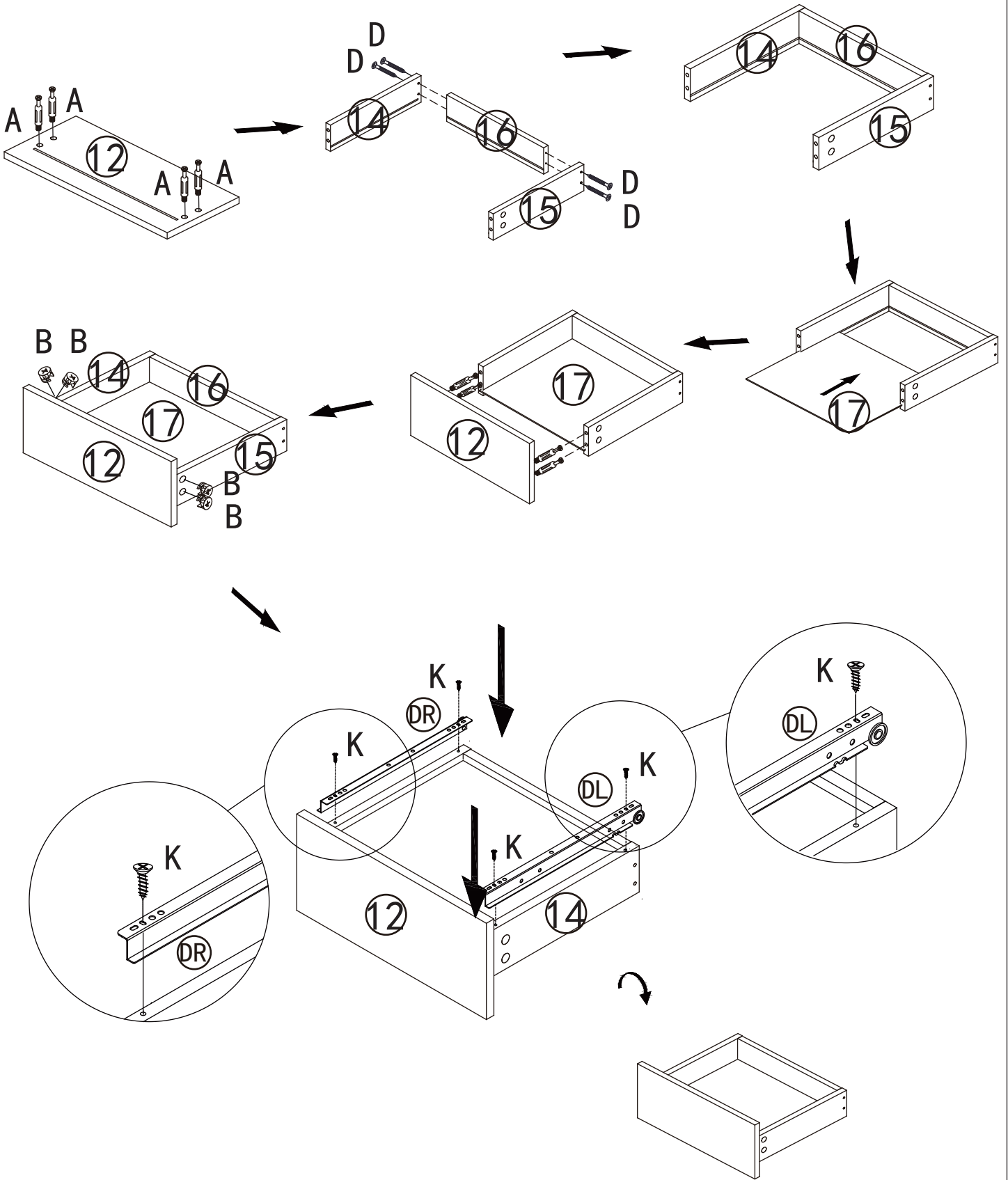








# 16.

Thread I1 through I2 and fix it through the limit groove



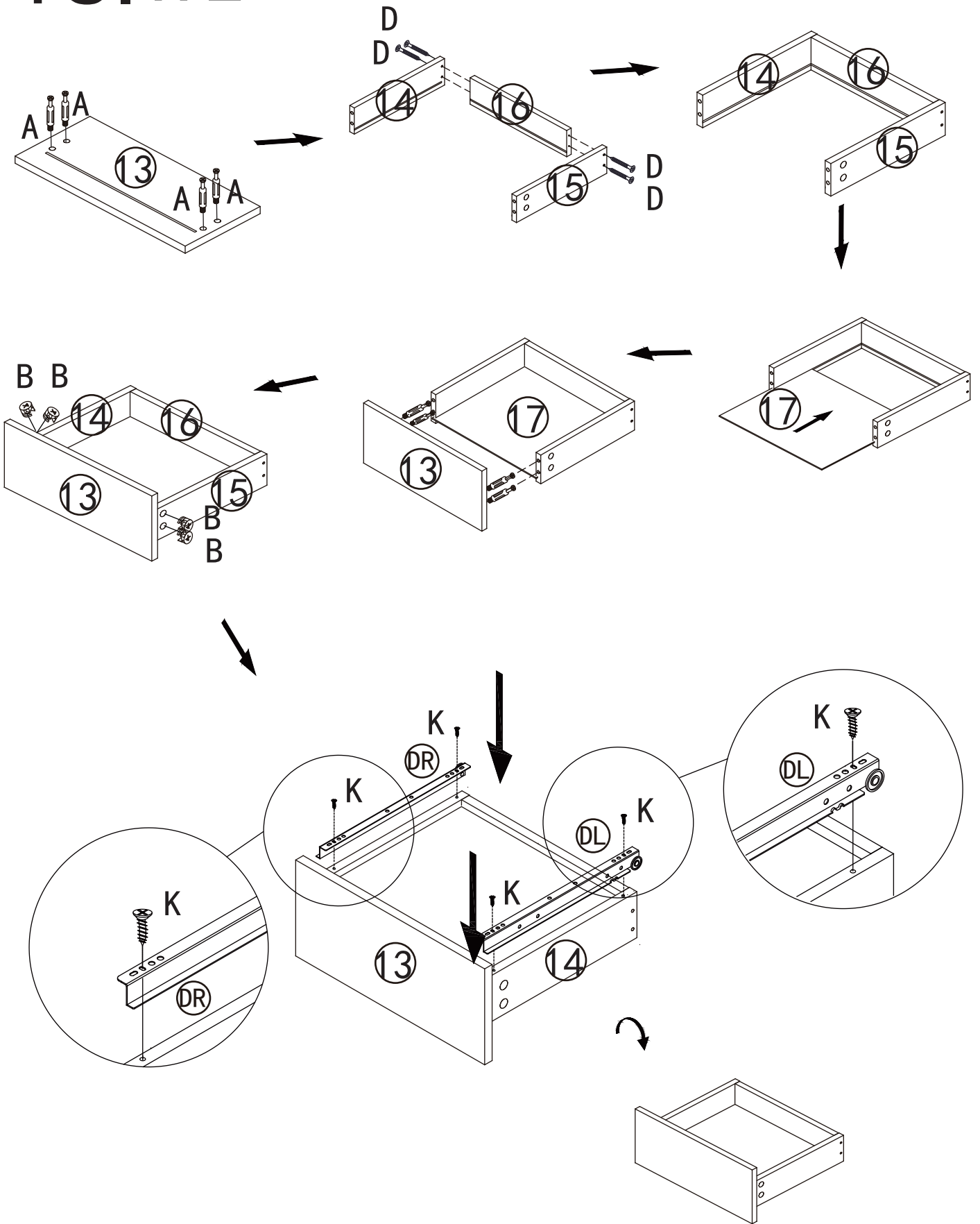
# 17.x2









<p>K*8</p>  <p>ø 3.5 x 14 mm</p>	<p>B*8</p> 	<p>D*8</p>  <p>ø 3.5 x 40 mm</p>	<p>A*8</p> 	<p>H-DL*2</p>  <p>300 mm</p>	<p>H-DR*2</p>  <p>300 mm</p>
---	--	---	--	---	--

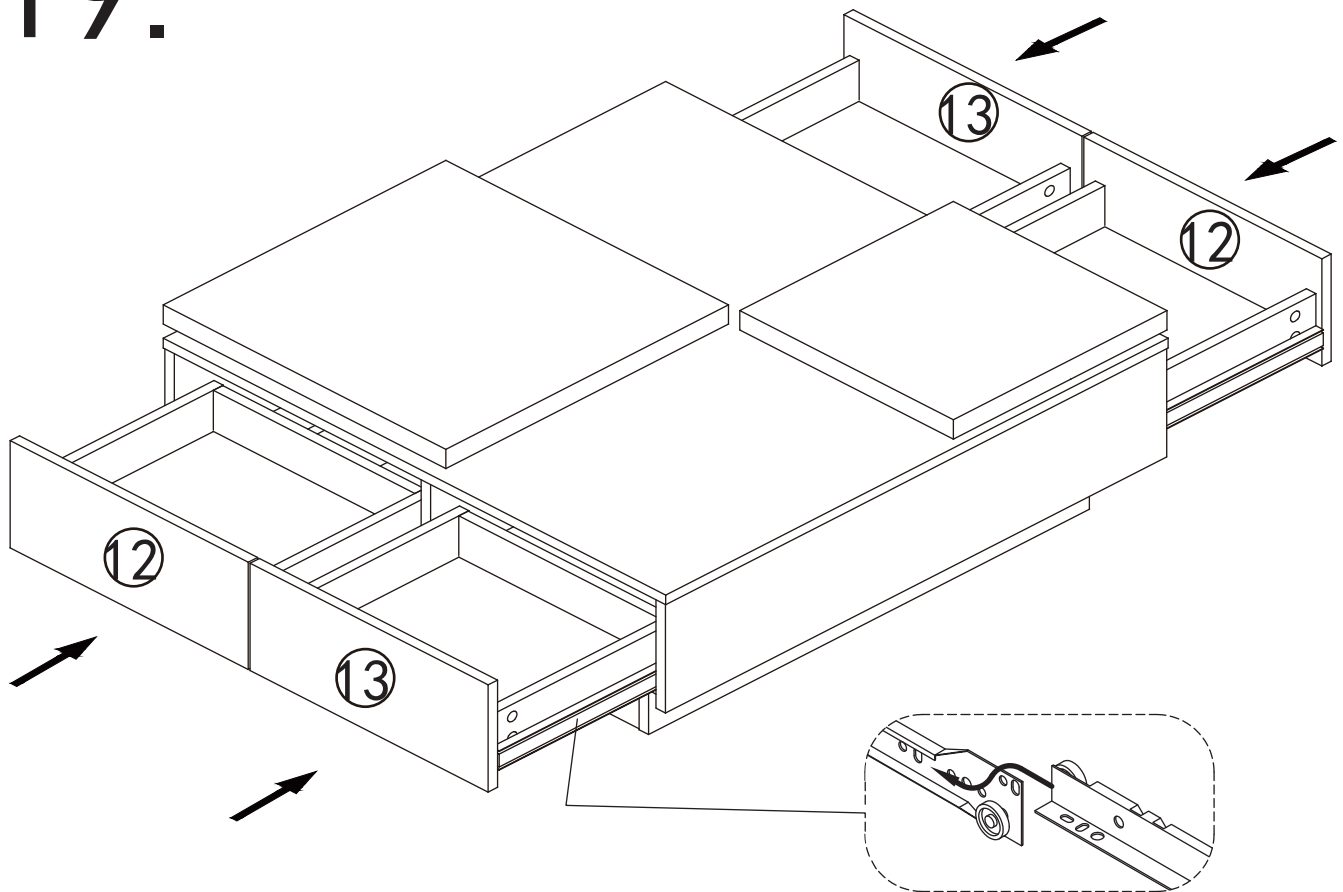


# 18. x 2

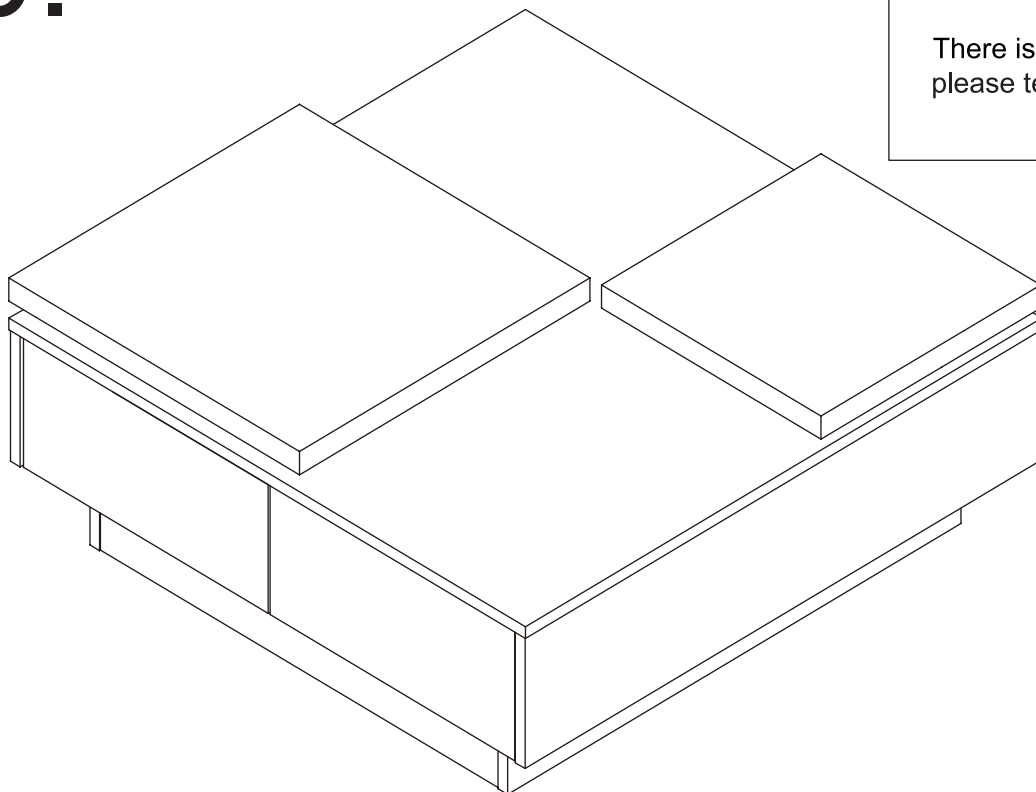



<b>K*8</b>	<b>B*8</b>	<b>D*8</b>	<b>A*8</b>	<b>H-DL*2</b>	<b>H-DR*2</b>
					
∅3.5 x 14 mm		∅3.5 x 40 mm		300 mm	300 mm

# 19.



# 20.



  
There is a protective film,  
please tear it off.