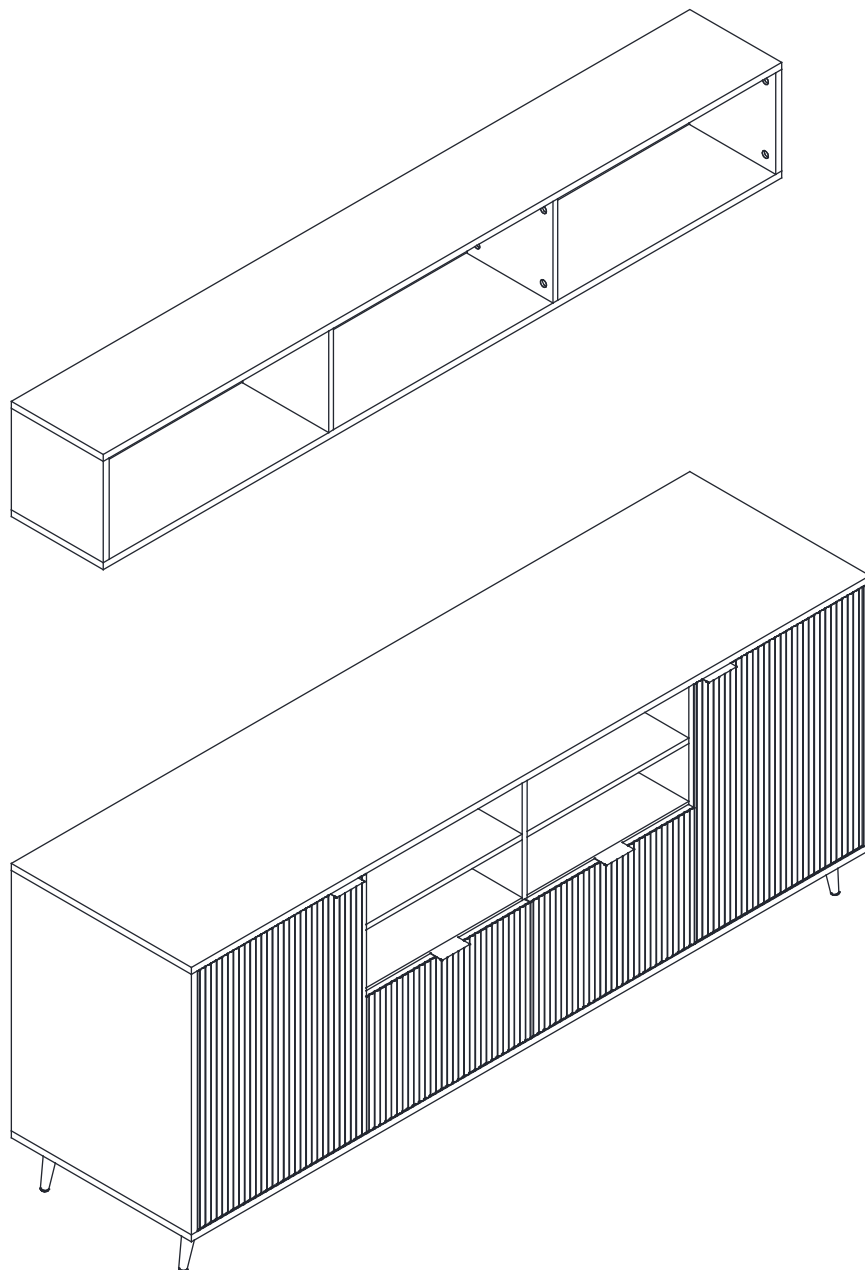


Entertainment Center

Assembly Instructions - Please keep for future reference



Important – Please read these instructions fully before starting assembly



Safety and Care Advice

Important – Please read these instructions fully before starting assembly

- Check you have all the components and tools listed on the following pages.
- Remove all fittings from the plastic bags and separate them into their groups.
- Keep children and animals away from the work area, small parts could choke if swallowed.
- Make sure you have enough space to layout the parts before starting.

- During assembly do not stand or put weight on the product, this could cause damage.
- Assemble the item as close to its final position (in the same room) as possible.
- Assemble on a soft level surface to avoid damaging the unit or your floor.
- Parts of the assembly will be easier with 2 people.



power drill is set on a low torque setting.

- To reduce the likelihood of damaging your product please ensure that your

Care and maintenance

- Only clean using a damp cloth and mild detergent, do not use bleach or abrasive cleaners.
- From time to time check that there are no loose screws on this unit.
- This product should not be discarded with household waste. Take to your local authority waste disposal centre.

Handy Hints

- Assemble all parts and bolts loosely during assembly, only once the product is complete should you fully tighten the bolts
- Regularly check and ensure That all bolts and fittings are tightend properly.

WARNING
In order to help prevent overturning –
please follow these instructions

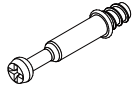




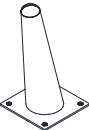

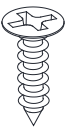
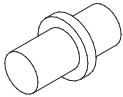

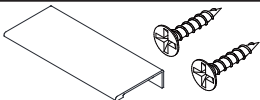
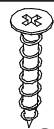
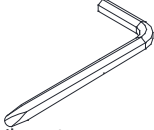
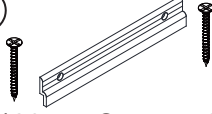
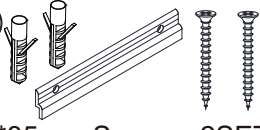
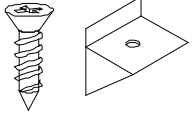
To help prevent product toppling over please follow the below steps:-

- Use the anti tip stap or wall fixing method provided (if applicable)
- Do not allow children to climb or hang on the furniture
- Do not open more than one drawer at a time
- Do not place heavy items in the top drawers
- Do not place heavy items on top of the furniture, unless the furniture has been designed for this purpose

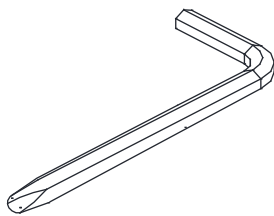
Components - Fittings

Please check you have all the panels listed below

Note: The quantities below are the correct amount to complete the assembly. In some cases, more fittings may be supplied than required.

<p>(A) </p> <p>Cam Bolt x 62</p>	<p>(B) </p> <p>Dowel x 54</p>	<p>(C) </p> <p>Cam lock x 62</p>	<p>(D) </p> <p>340mm Drawer slide x 4</p>
<p>(E) </p> <p>3*12mm Screw x 18</p>	<p>(F) </p> <p>Oblique foot x 4</p>	<p>(G) </p> <p>Iron foot x 2</p>	<p>(H) </p> <p>3.5*14mm Screw x 26</p>
<p>(I) </p> <p>Shelf support pin x 9</p>	<p>(J) </p> <p>3.5*14mm Straight bend x 4set</p>	<p>(K) </p> <p>3*12mm/D5/Drawer pull x4set</p>	<p>(L) </p> <p>4*25mm Screw x 9</p>
<p>(M) </p> <p>Allen key x 1</p>	<p>(N) </p> <p>4*20mm Screw x 2SET</p>	<p>(O) </p> <p>4*35mm Screw x 2SET</p>	<p>(P) </p> <p>3.5*14mm Backboard x 20SET</p>

Tools required



Phillips screwdriver
(medium & large)

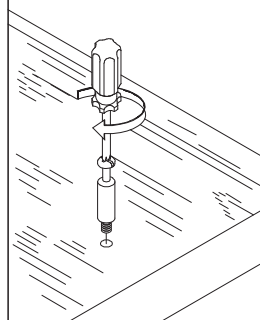
Using Camlocks

Step 1

Connect the male camlock as directed in the assembly instructions using a screwdriver.

1

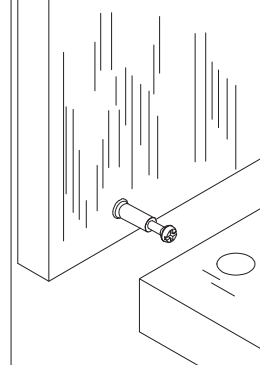
DO NOT OVER TIGHTEN.
NE PAS SERRER EXCESSIVEMENT.



Step 2

Push the male camlock into the entry hole.

2

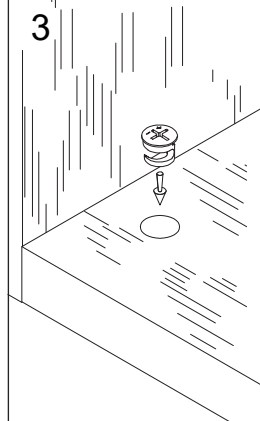


Step 3

Insert the female camlock as shown in the instruction.

Note: ensure that the arrow on the top of the camlock points towards the entry hole for the male camlock.

3



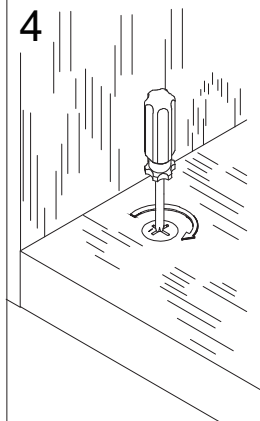
Step 4

Turn the female camlock clockwise with a screwdriver.

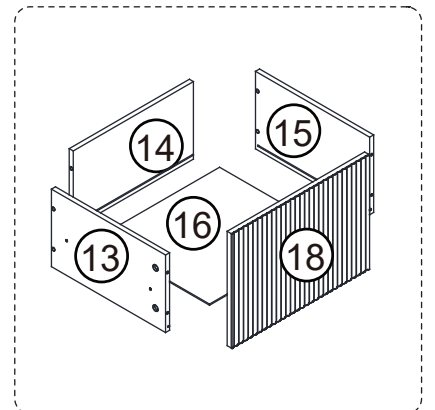
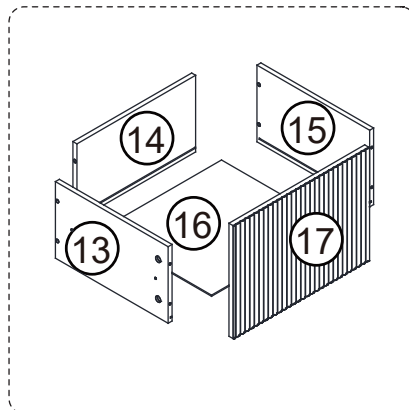
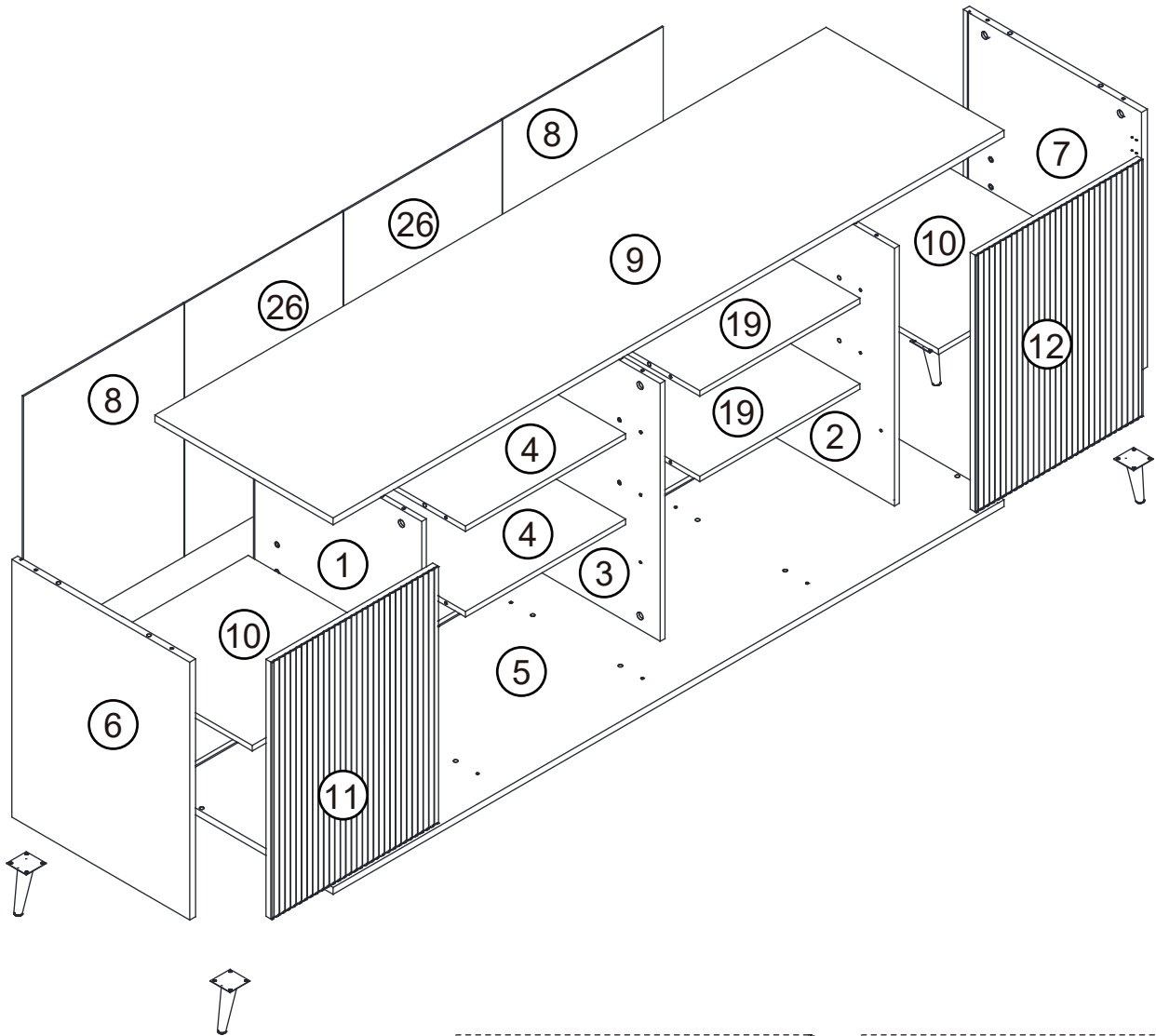
You should feel a click when the camlock is locked in place.

The joint is now secure.

4

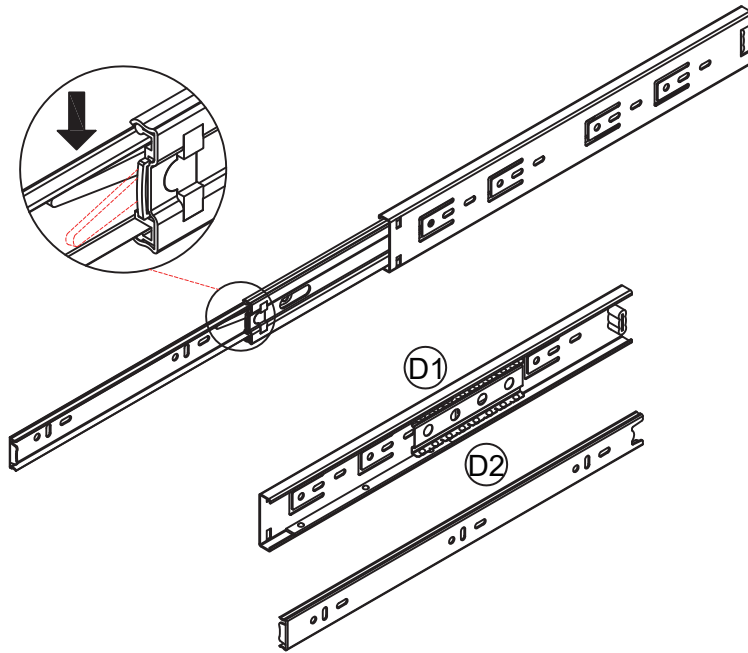


Assembly Instructions



Assembly Instructions

Step 1

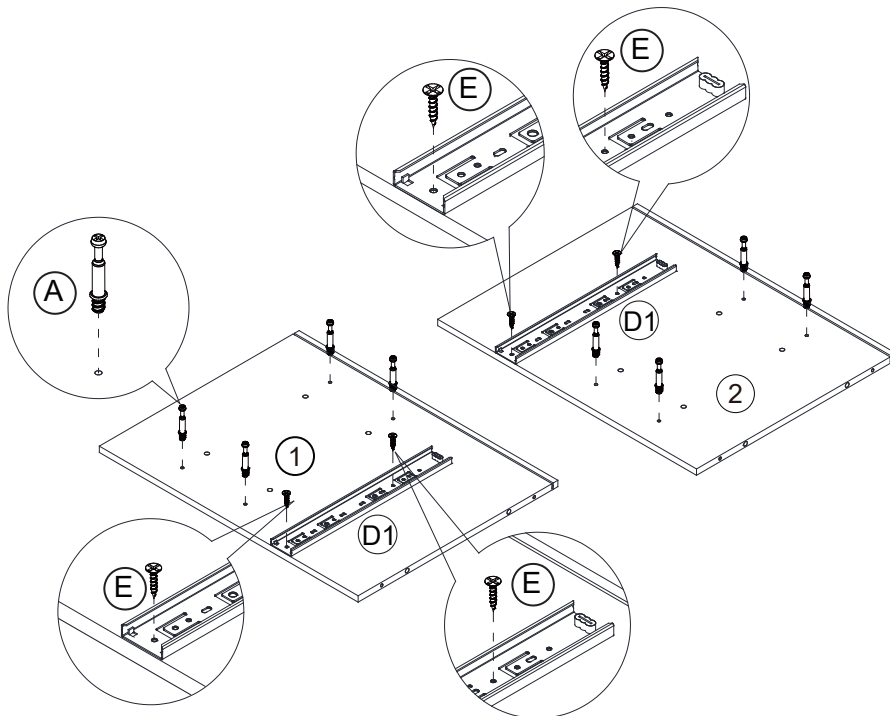


D

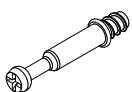


340mm Drawer slide x 4

Step 2

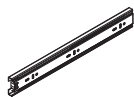


A



Cam Bolt x 8

D1



340mm Drawer slide x 2

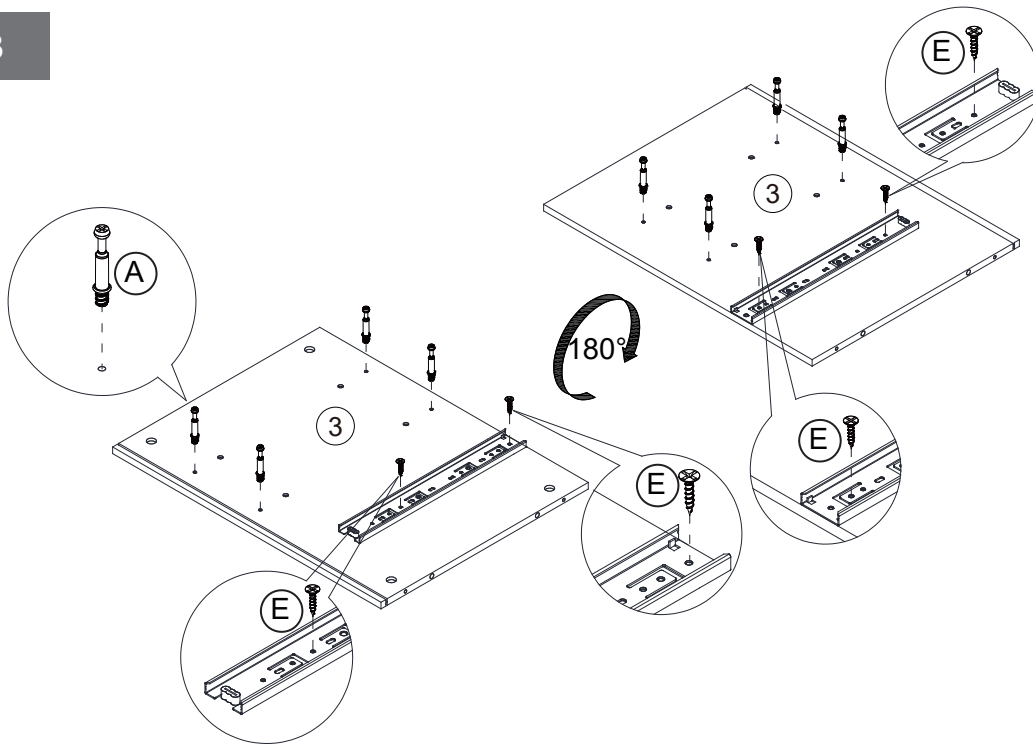
E

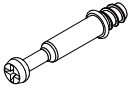




3*12mm Screw x 4

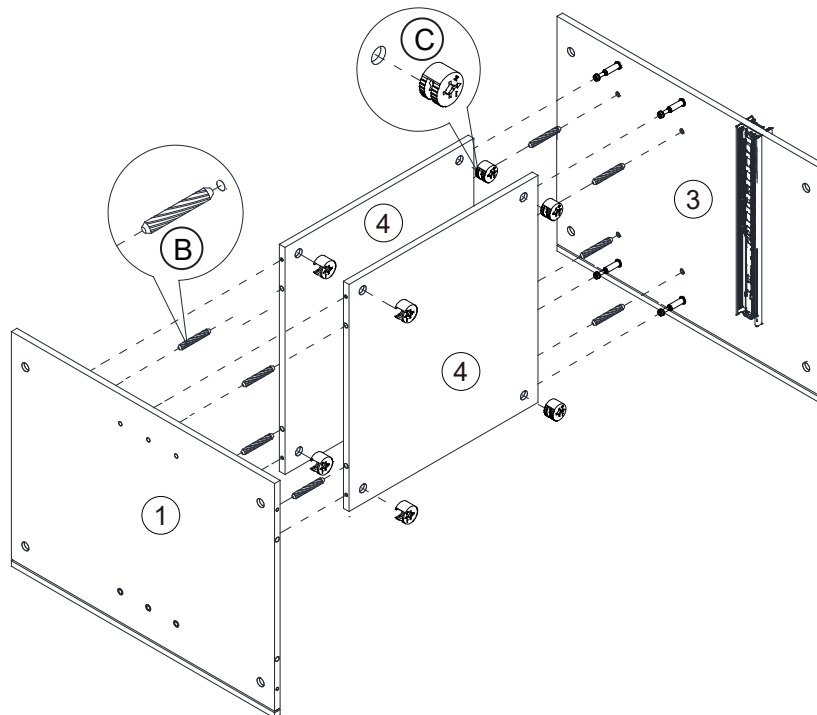
Assembly Instructions



Step 3



<p>(A)</p>  <p>Cam Bolt x 8</p>	<p>(D1)</p>  <p>340mm Drawer slide x 2</p>	<p>(E)</p>  <p>3*12mm Screw x 4</p>
--	---	--

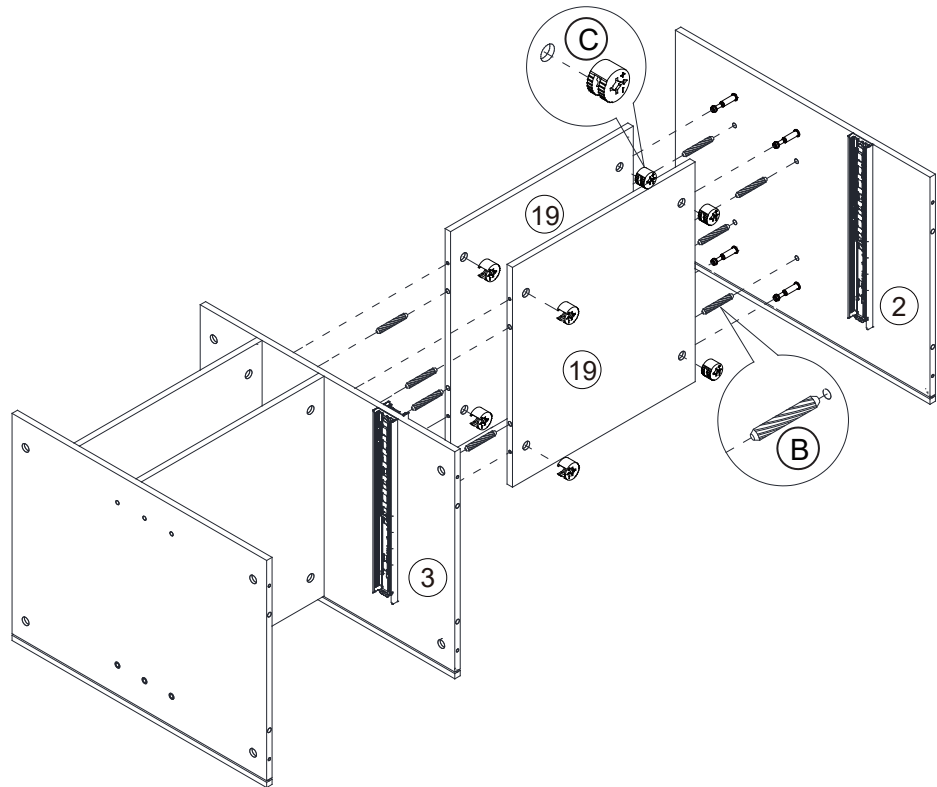
Step 4



<p>(B)</p>  <p>Dowel x 8</p>	<p>(C)</p>  <p>Cam lock x 8</p>
---	--

Assembly Instructions

Step 5



(B)



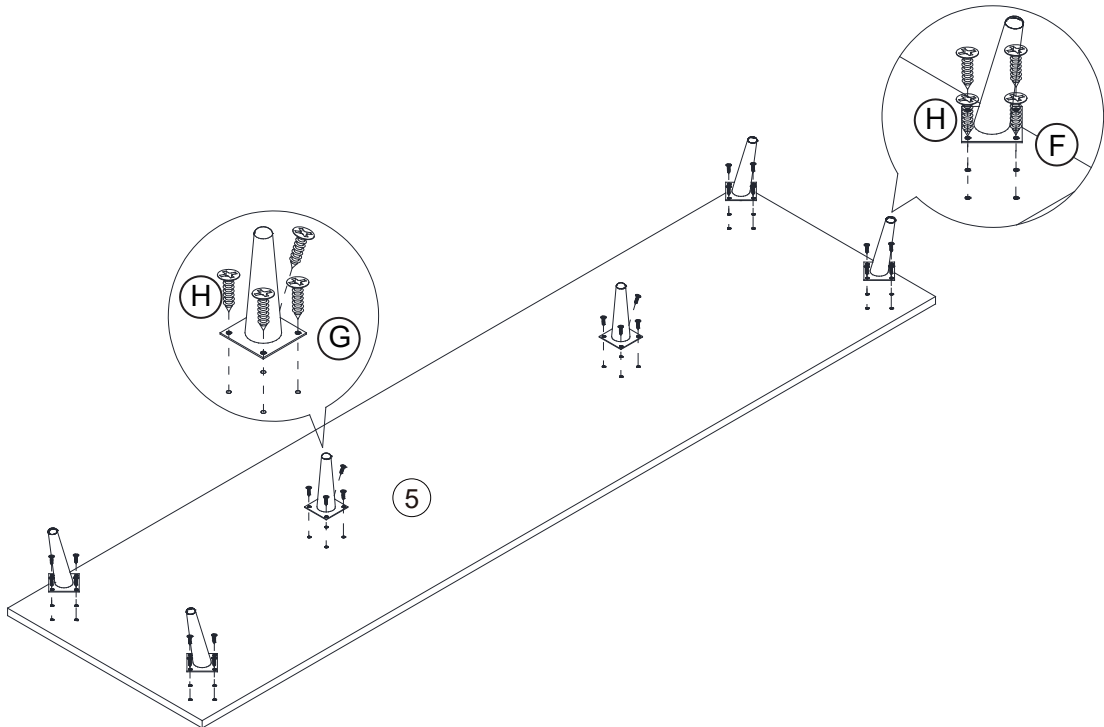
Dowel x 8

(C)

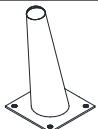


Cam lock x 8

Step 6

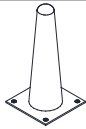


(F)



Oblique foot x 4

(G)



Iron foot x 2

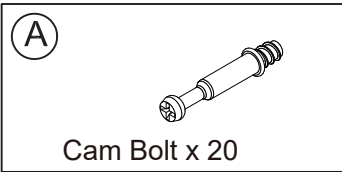
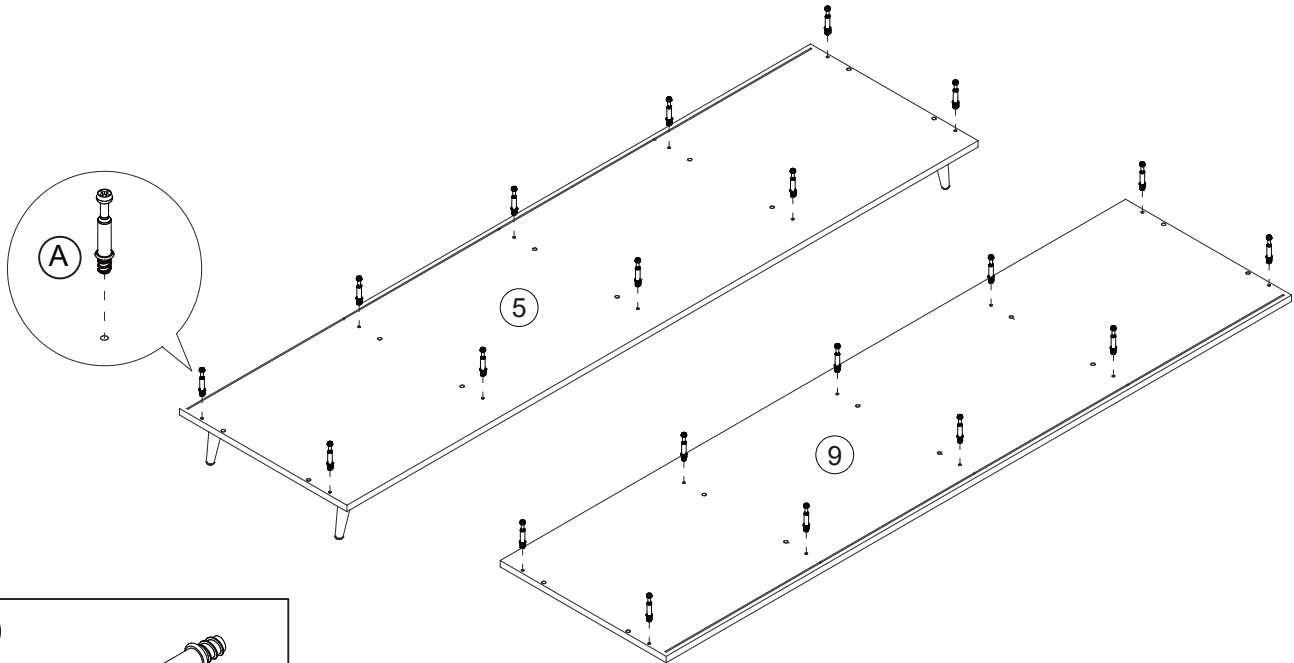
(H)



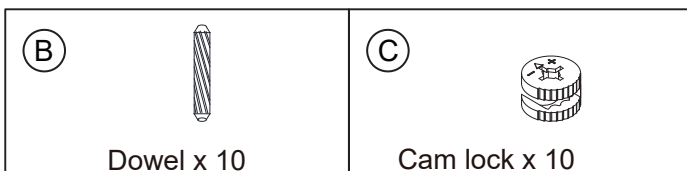
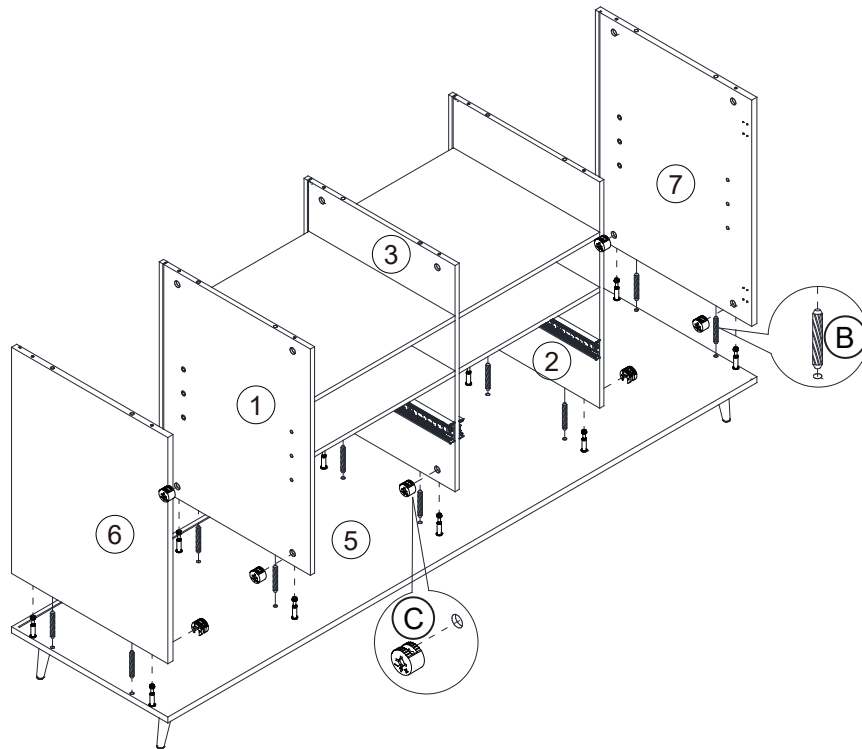
3.5*14mm Screw x 24

Assembly Instructions

Step 7

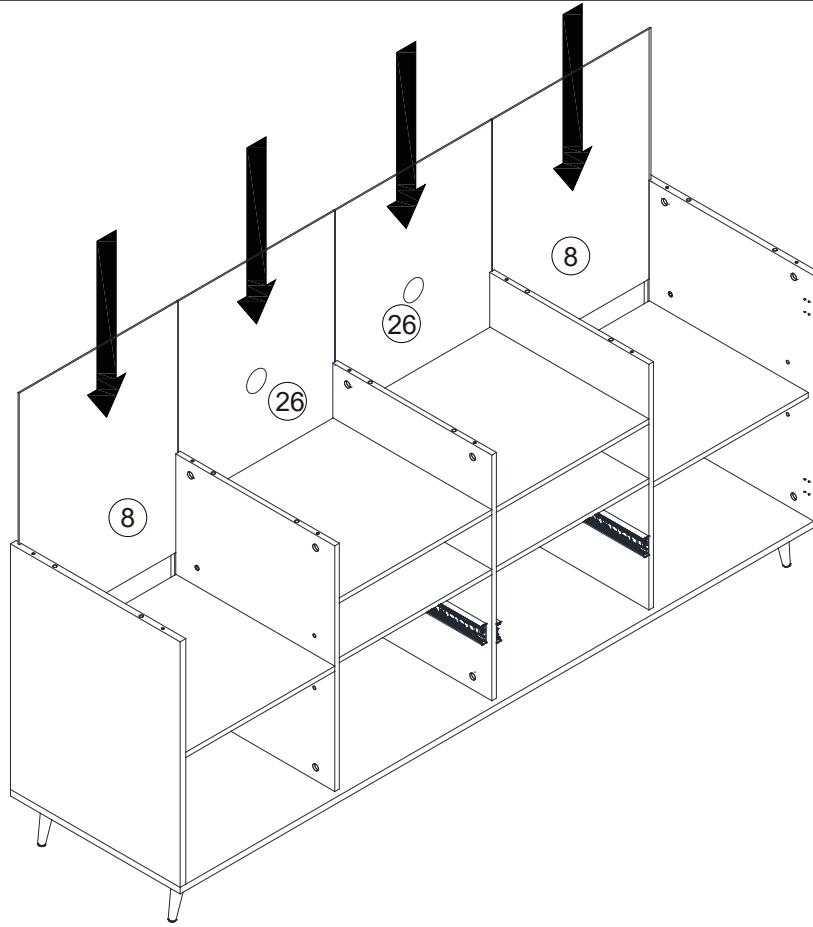


Step 8

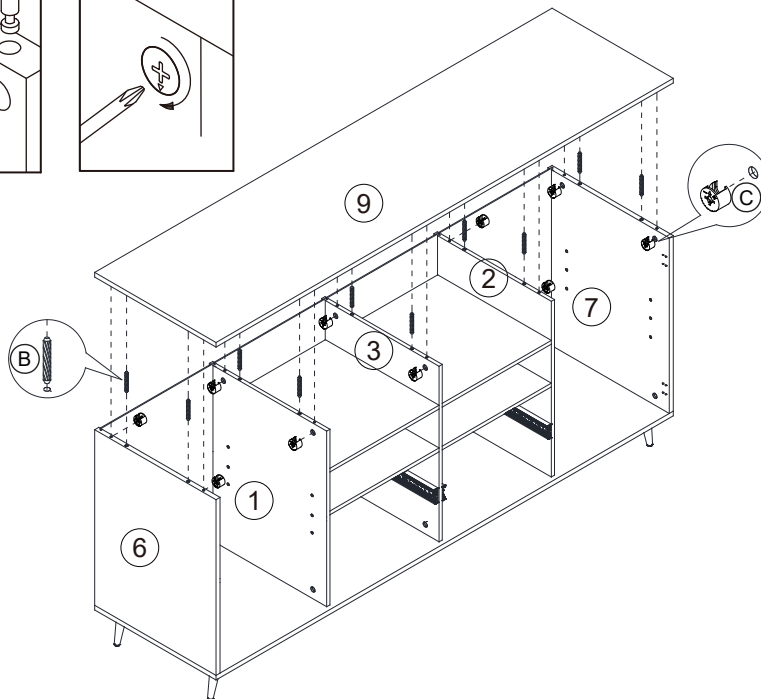
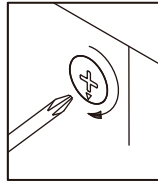
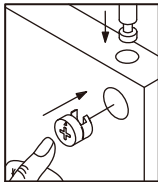


Assembly Instructions

Step 9



Step 10



(B)



Dowel x 10

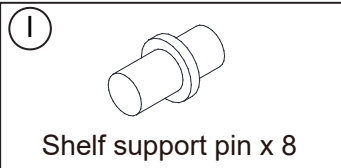
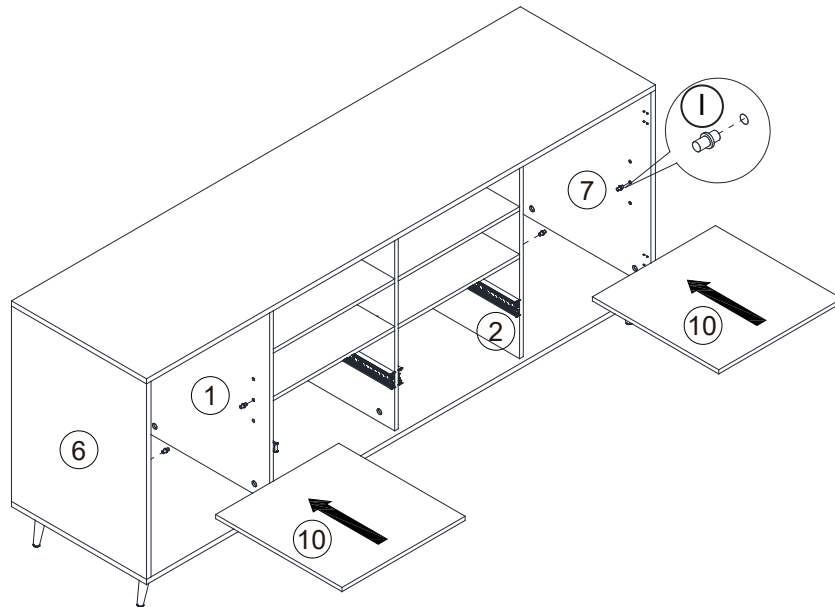
(C)



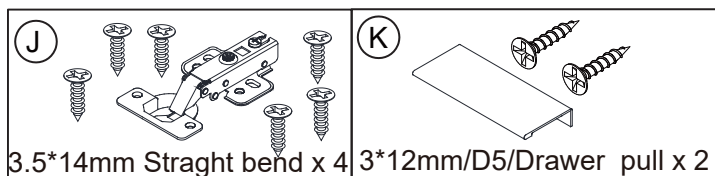
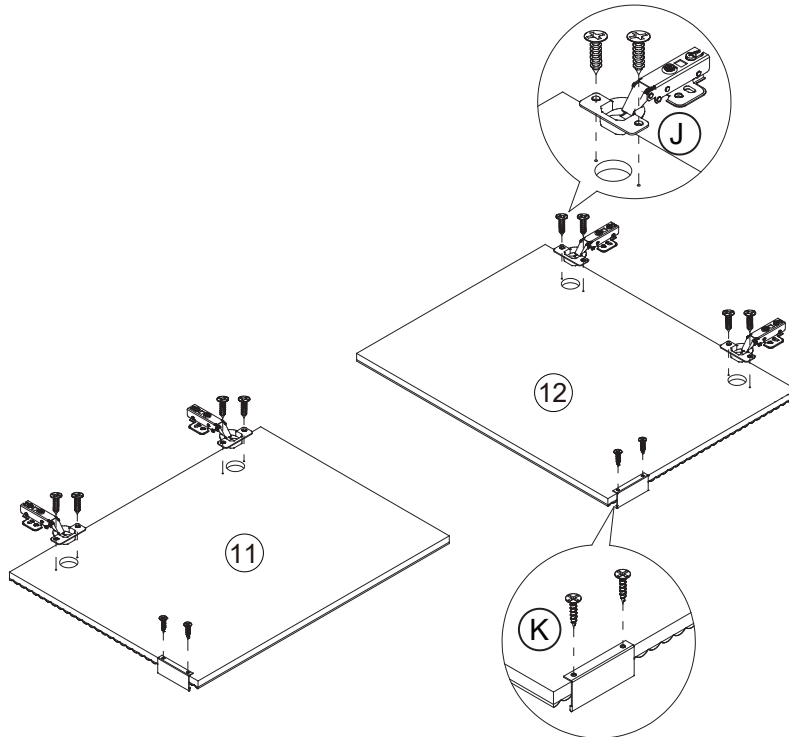
Cam lock x 10

Assembly Instructions

Step 11

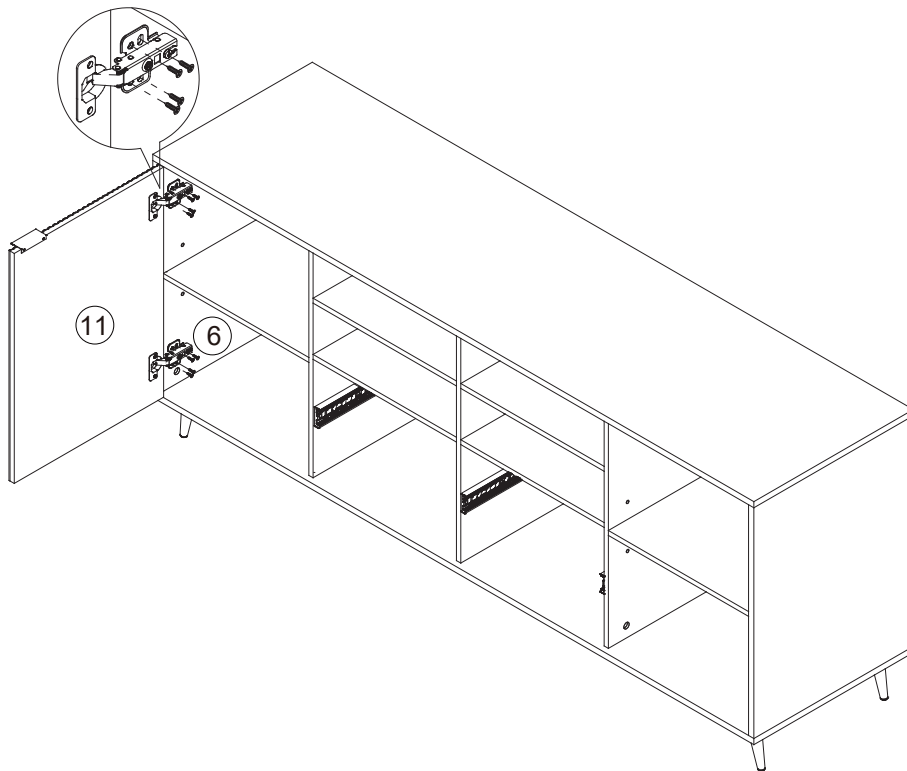


Step 12

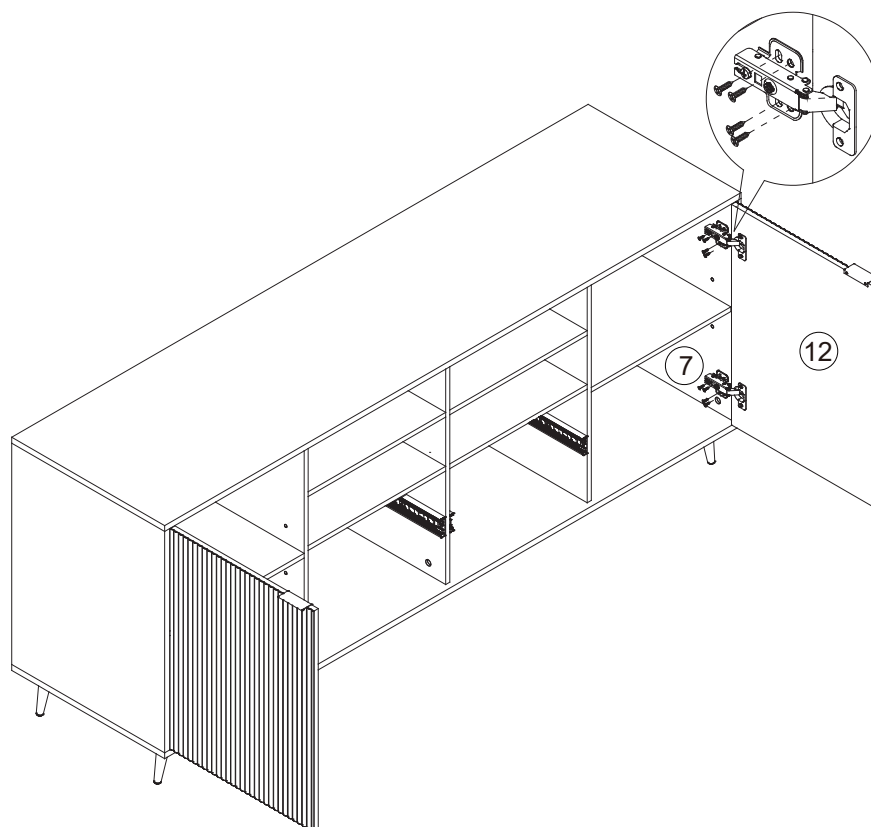


Assembly Instructions

Step 13



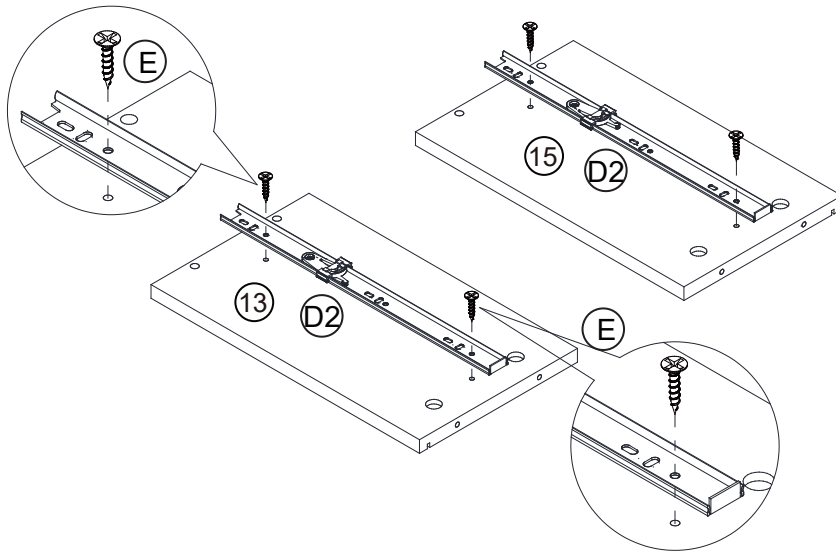
Step 14

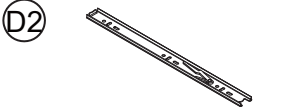



Assembly Instructions

Step 15

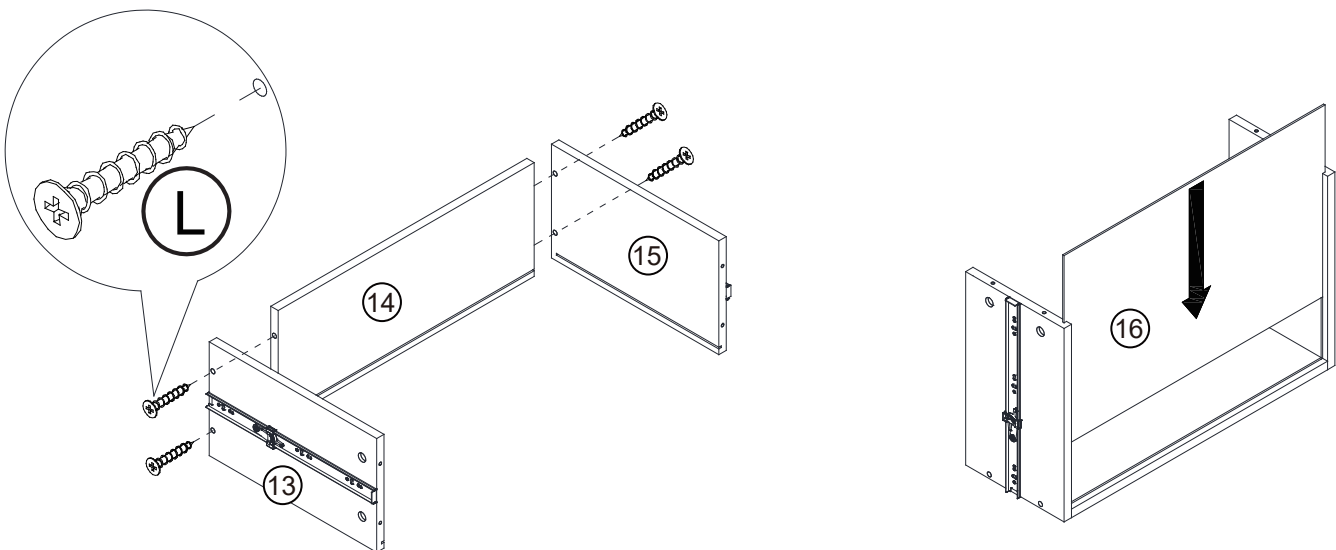
x2

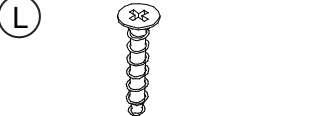


 340mm Drawer slide x 4	 3*12mm Screw x 8
--	---

Step 16

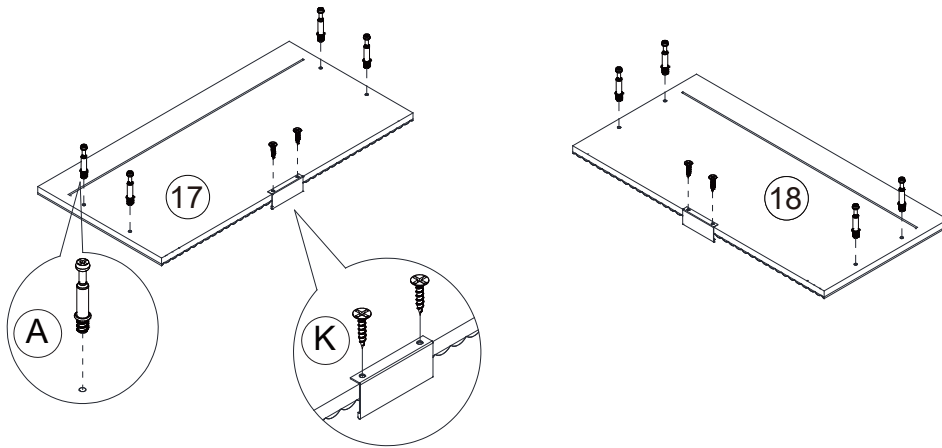
x2



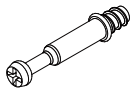
 4*25mm Screw x 8

Assembly Instructions

Step 17

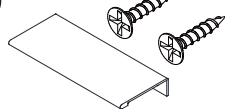


A



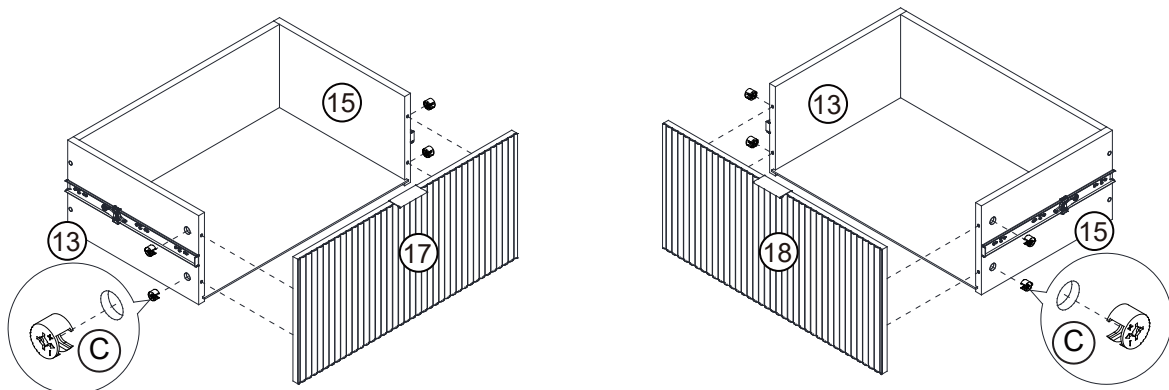
Cam Bolt x 8

K



3*12mm/D5/Drawer pull x 2

Step 18



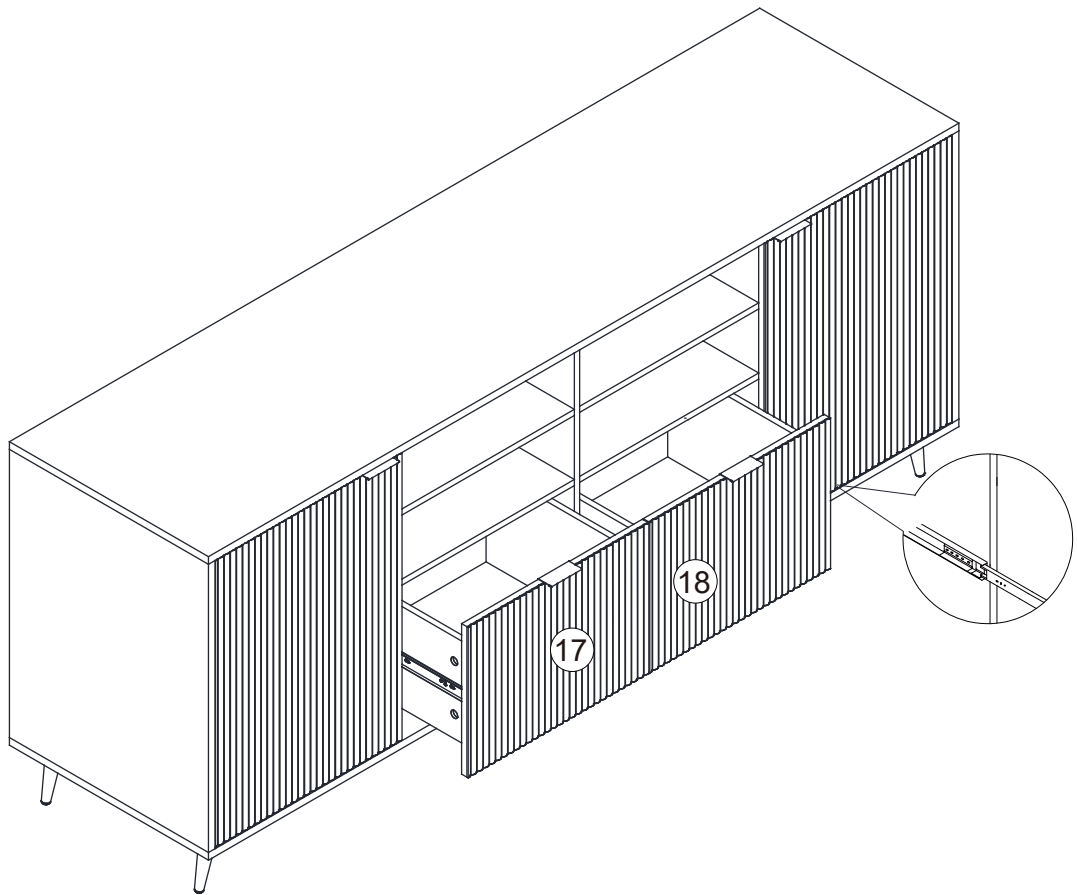
C



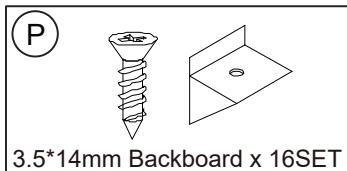
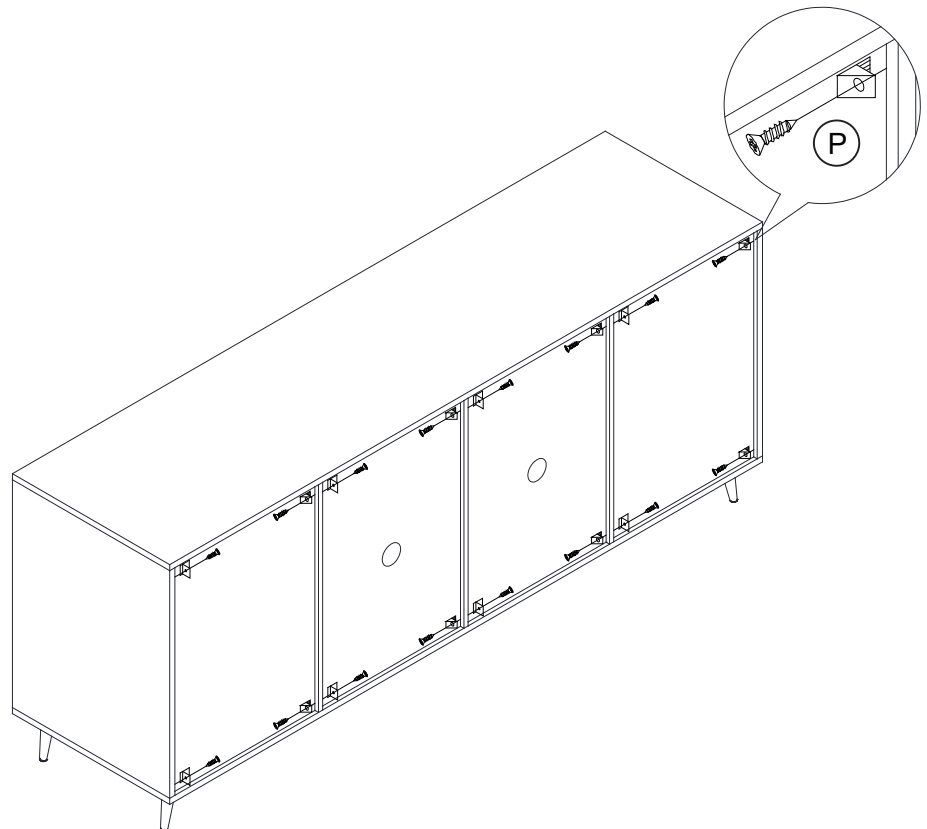
Cam lock x 8

Assembly Instructions

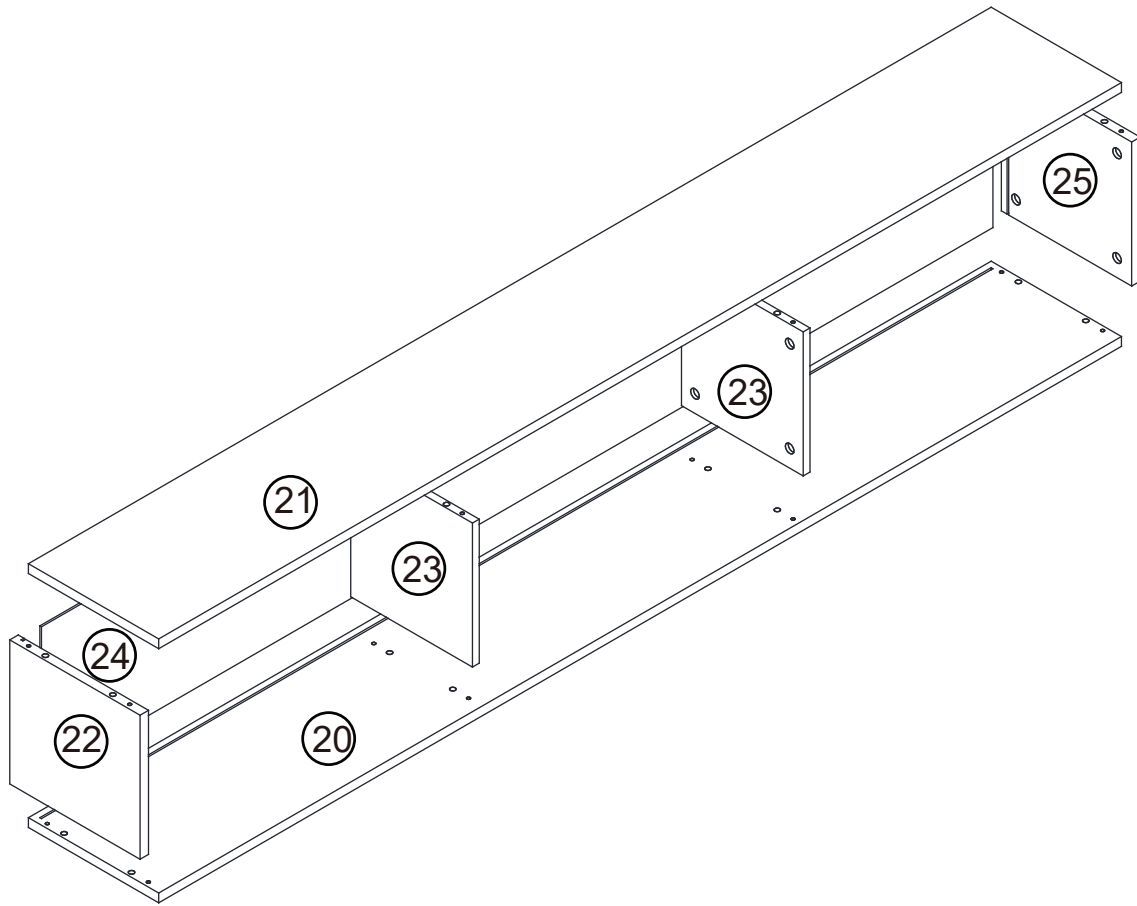
Step 19



Step 20

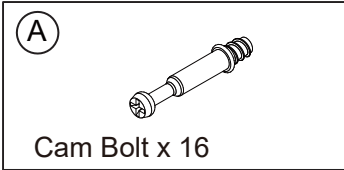
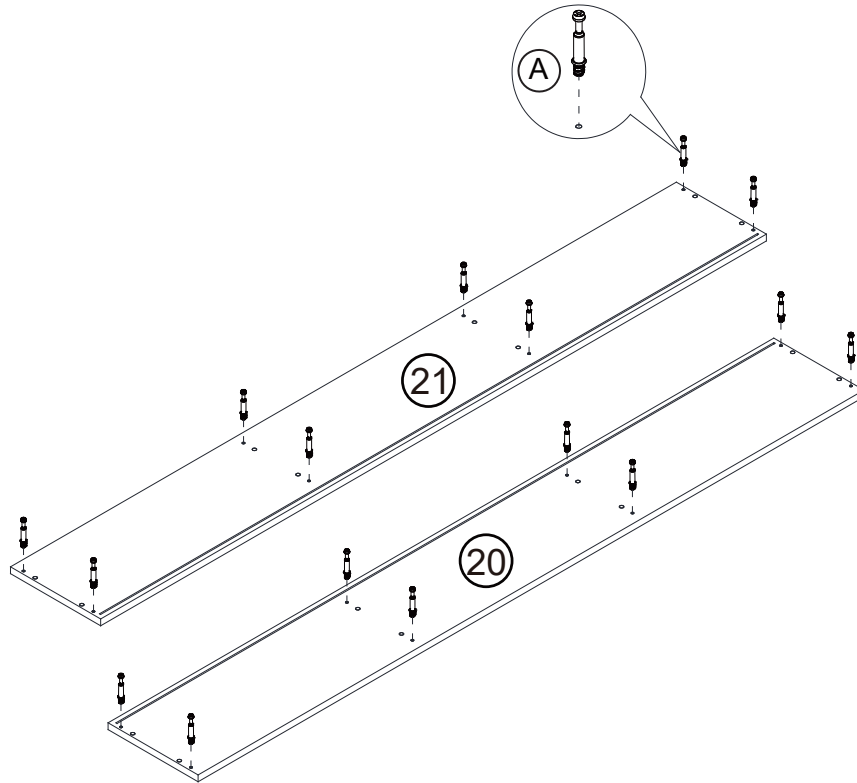


Assembly Instructions

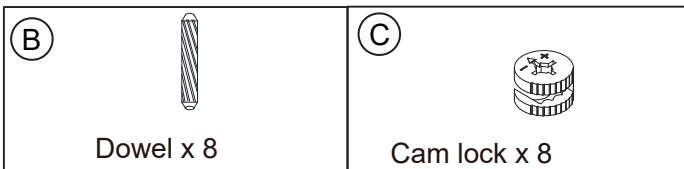
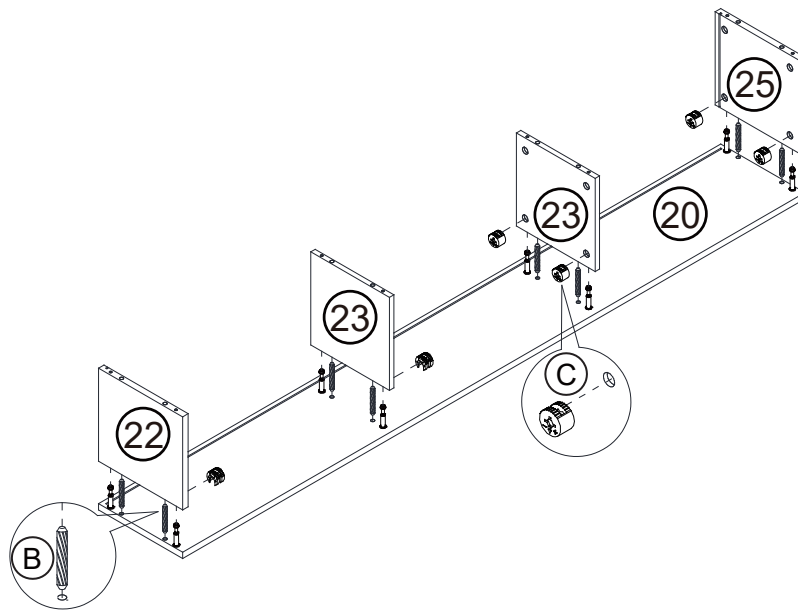


Assembly Instructions

Step 21

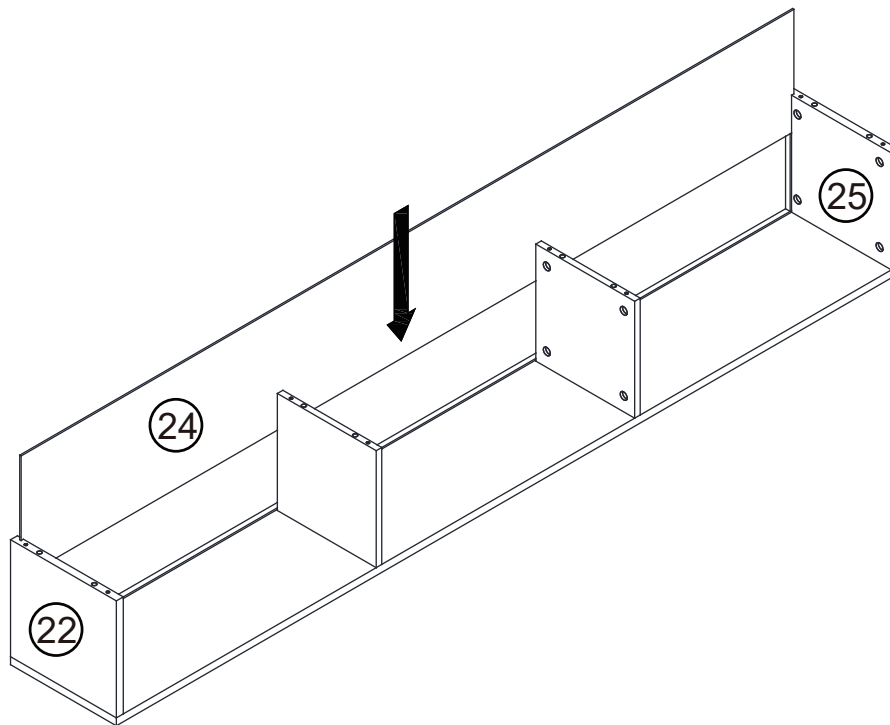


Step 22

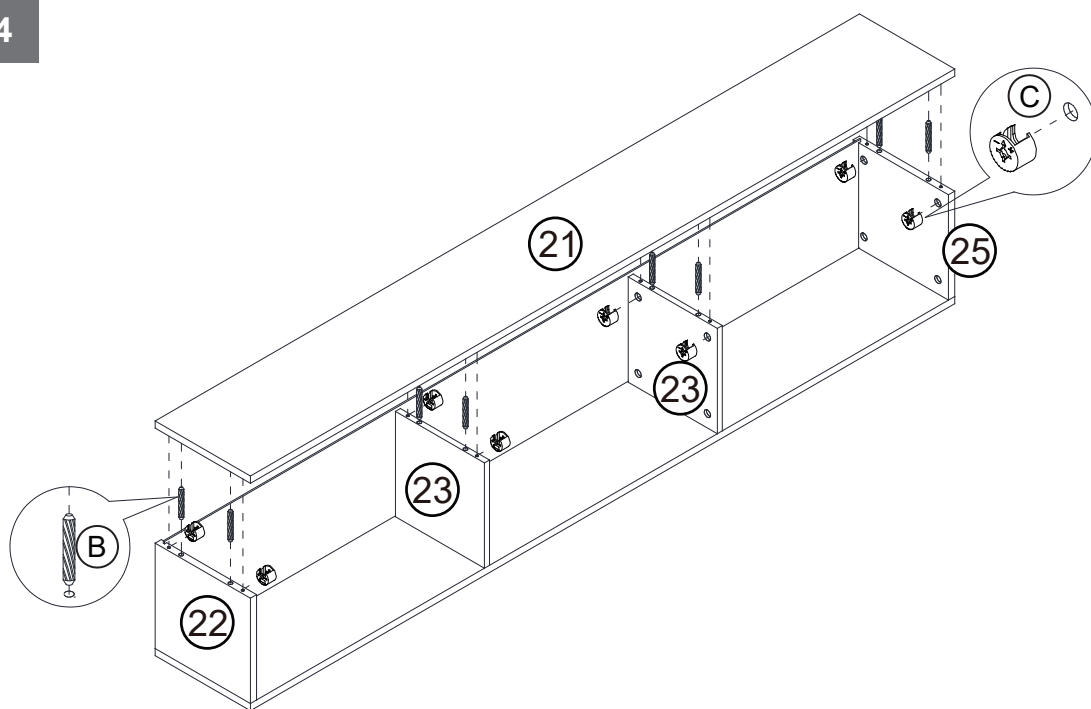




Assembly Instructions

Step 23



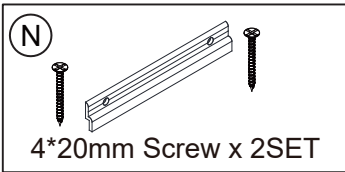
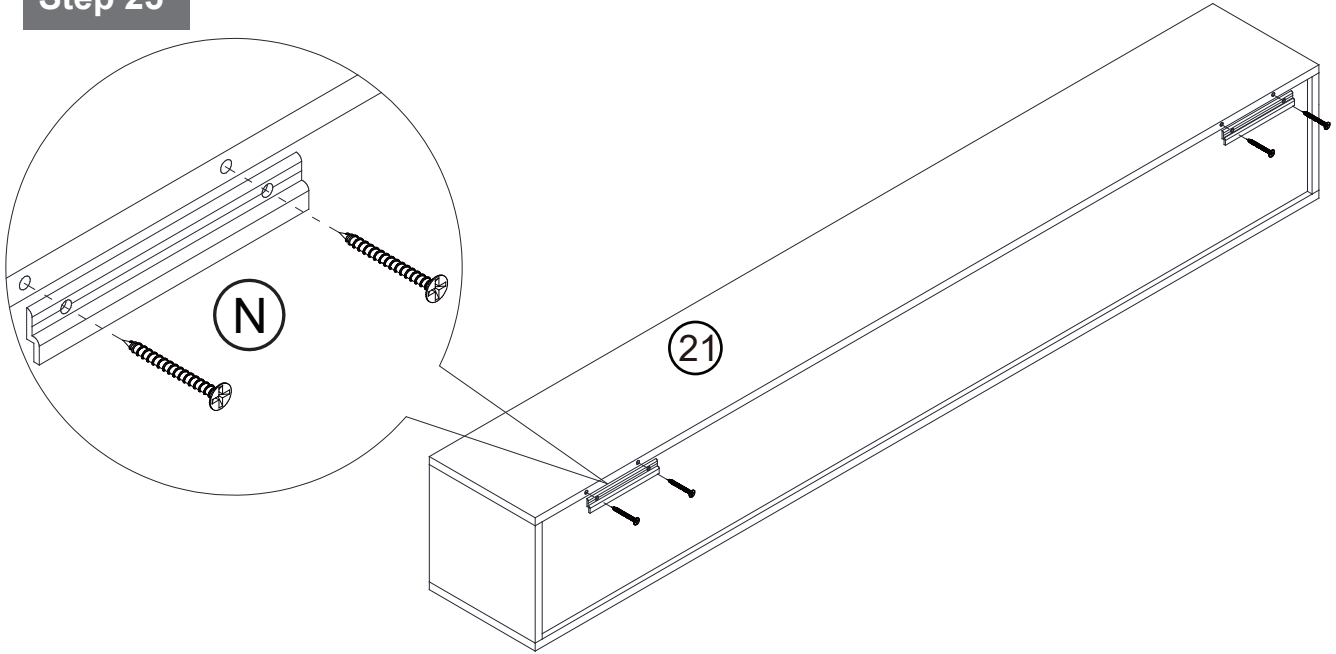
Step 24



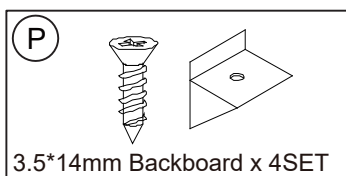
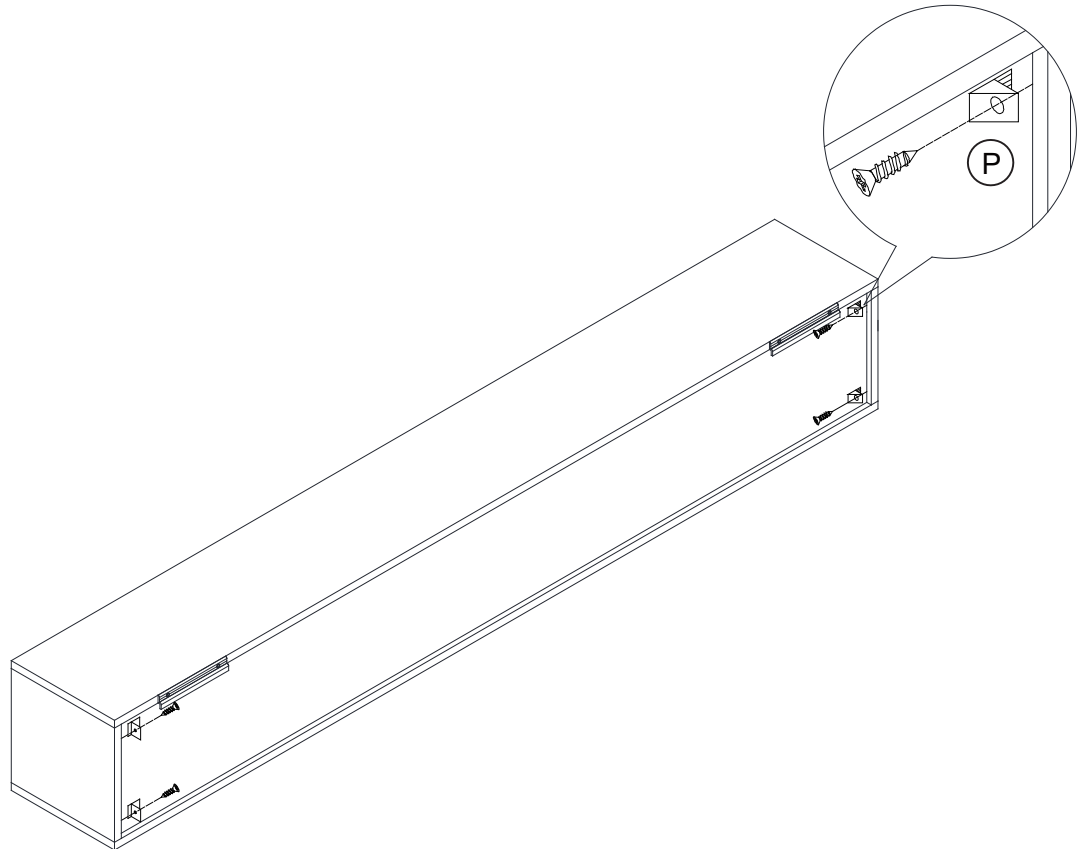
<p>(B)</p>  <p>Dowel x 8</p>	<p>(C)</p>  <p>Cam lock x 8</p>
---	--

Assembly Instructions

Step 25

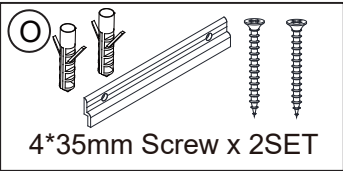
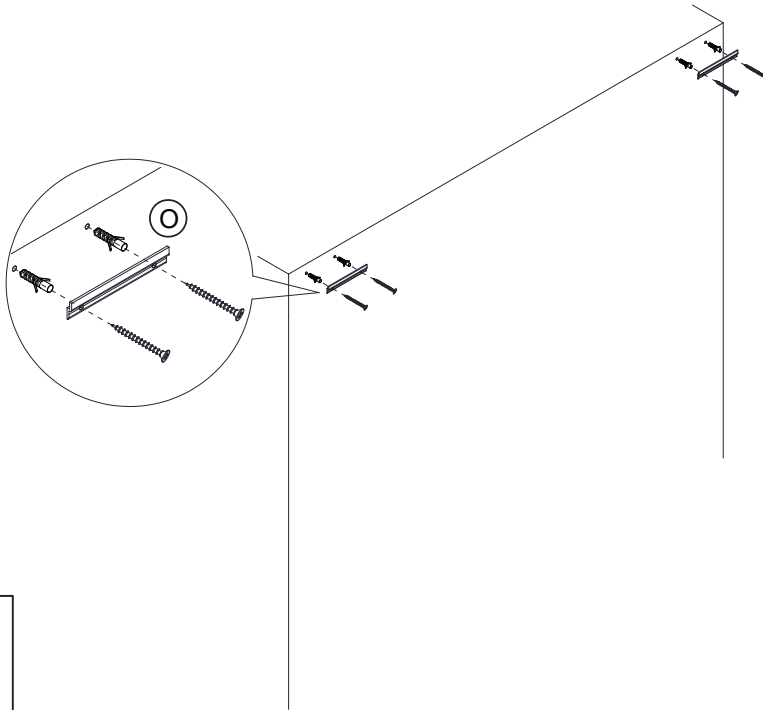


Step 26

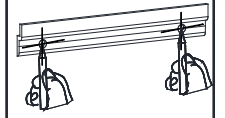


Assembly Instructions

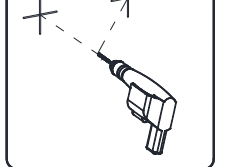
Step 27



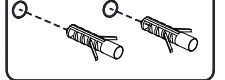
step 1



step 2



step 3



step 4

