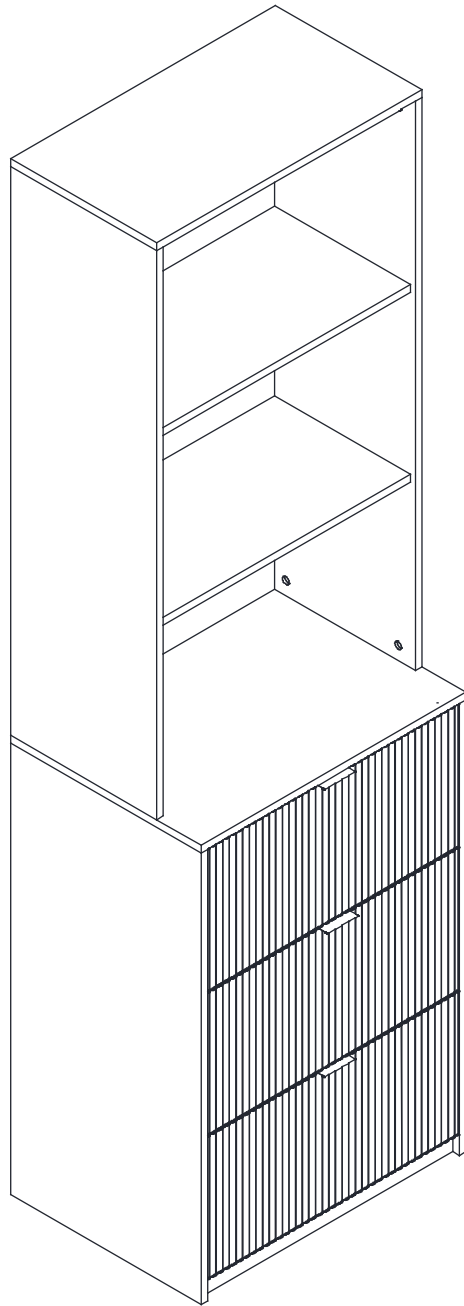


Entertainment Center-1

Assembly Instructions - Please keep for future reference



Important – Please read these instructions fully before starting assembly



Safety and Care Advice

Important – Please read these instructions fully before starting assembly

- Check you have all the components and tools listed on the following pages.
- Remove all fittings from the plastic bags and separate them into their groups.
- Keep children and animals away from the work area, small parts could choke if swallowed.
- Make sure you have enough space to layout the parts before starting.

- During assembly do not stand or put weight on the product, this could cause damage.
- Assemble the item as close to its final position (in the same room) as possible.
- Assemble on a soft level surface to avoid damaging the unit or your floor.
- Parts of the assembly will be easier with 2 people.



power drill is set on a low torque setting.

- To reduce the likelihood of damaging your product please ensure that your

Care and maintenance

- Only clean using a damp cloth and mild detergent, do not use bleach or abrasive cleaners.
- From time to time check that there are no loose screws on this unit.
- This product should not be discarded with household waste. Take to your local authority waste disposal centre.

Handy Hints

- Assemble all parts and bolts loosely during assembly, only once the product is complete should you fully tighten the bolts
- Regularly check and ensure That all bolts and fittings are tightend properly.

WARNING
In order to help prevent overturning –
please follow these instructions

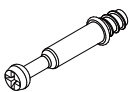




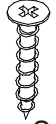
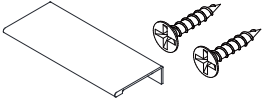
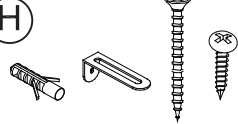
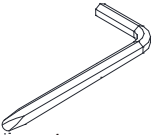
To help prevent product toppling over please follow the below steps:-

- Use the anti tip stap or wall fixing method provided (if applicable)
- Do not allow children to climb or hang on the furniture
- Do not open more than one drawer at a time
- Do not place heavy items in the top drawers
- Do not place heavy items on top of the furniture, unless the furniture has been designed for this purpose

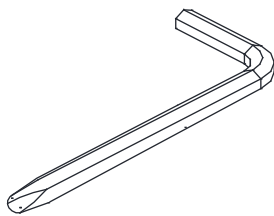
Components - Fittings

Please check you have all the panels listed below

Note: The quantities below are the correct amount to complete the assembly. In some cases, more fittings may be supplied than required.

<p>(A)  Cam Bolt x 53</p>	<p>(B)  Dowel x 26</p>	<p>(C)  Cam lock x 53</p>	<p>(D)  340mm Drawer slide x 6</p>
<p>(E)  3*12mm Screw x 26</p>	<p>(F)  4*25mm Screw x 13</p>	<p>(G)  3*12mm/D5/Drawer pull x 3set</p>	<p>(H)  4*35mm Anti tipping x 1set</p>
<p>(I)  Allen key x 1</p>			

Tools required



Phillips screwdriver
(medium & large)

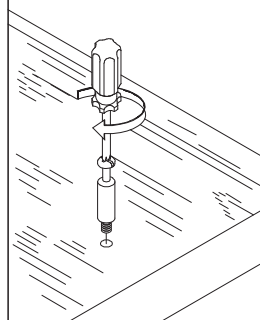
Using Camlocks

Step 1

Connect the male camlock as directed in the assembly instructions using a screwdriver.

1

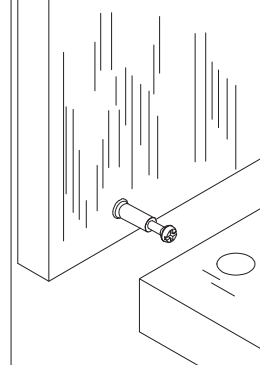
DO NOT OVER TIGHTEN.
NE PAS SERRER EXCESSIVEMENT.



Step 2

Push the male camlock into the entry hole.

2

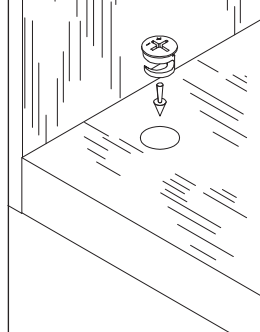


Step 3

Insert the female camlock as shown in the instruction.

Note: ensure that the arrow on the top of the camlock points towards the entry hole for the male camlock.

3



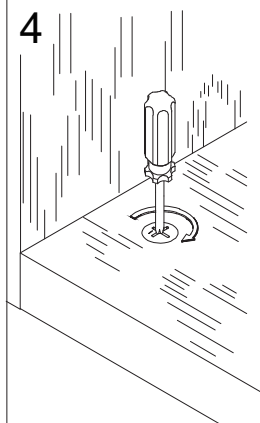
Step 4

Turn the female camlock clockwise with a screwdriver.

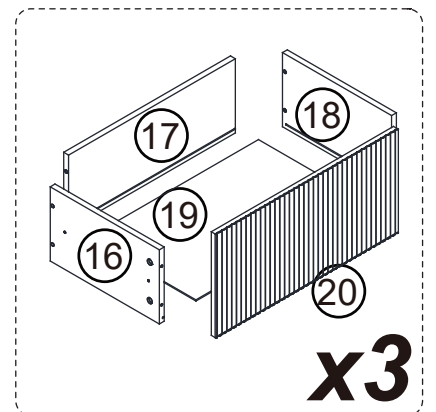
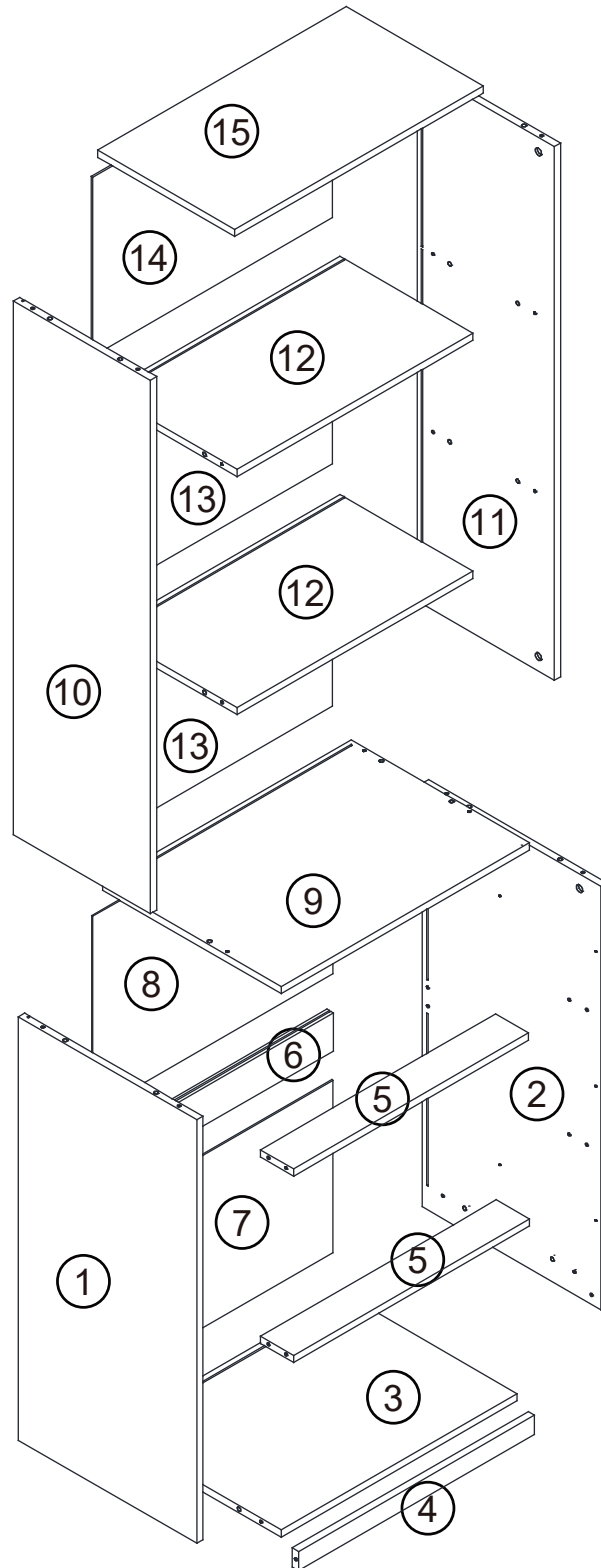
You should feel a click when the camlock is locked in place.

The joint is now secure.

4

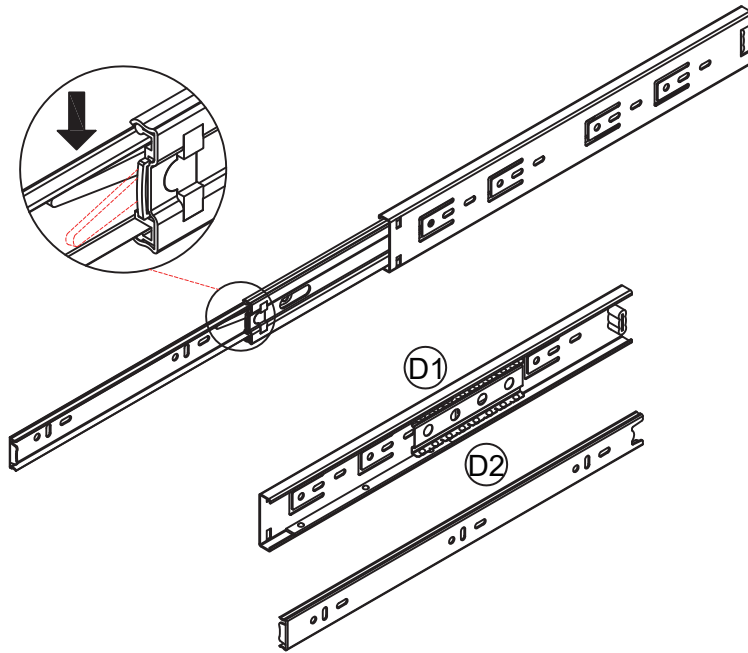


Assembly Instructions



Assembly Instructions

Step 1

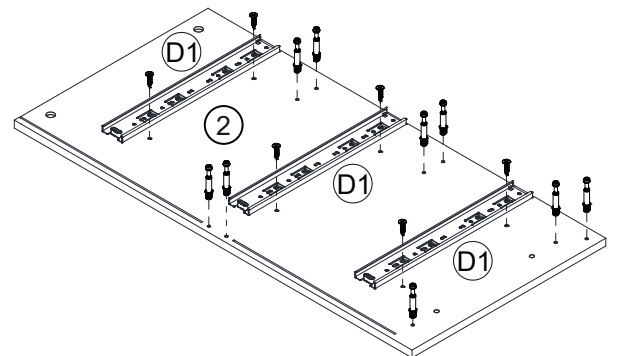
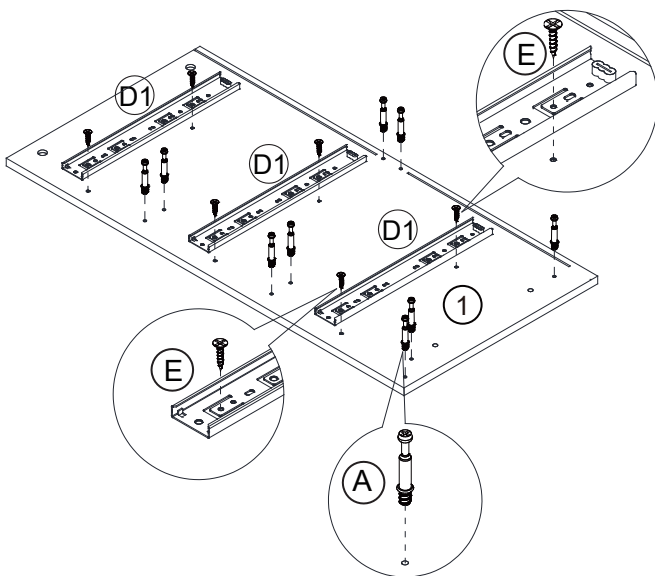


D

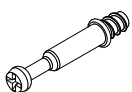


340mm Drawer slide x 6

Step 2

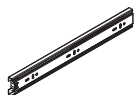


A



Cam Bolt x 18

D1



340mm Drawer slide x 6

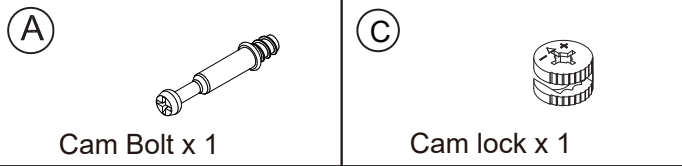
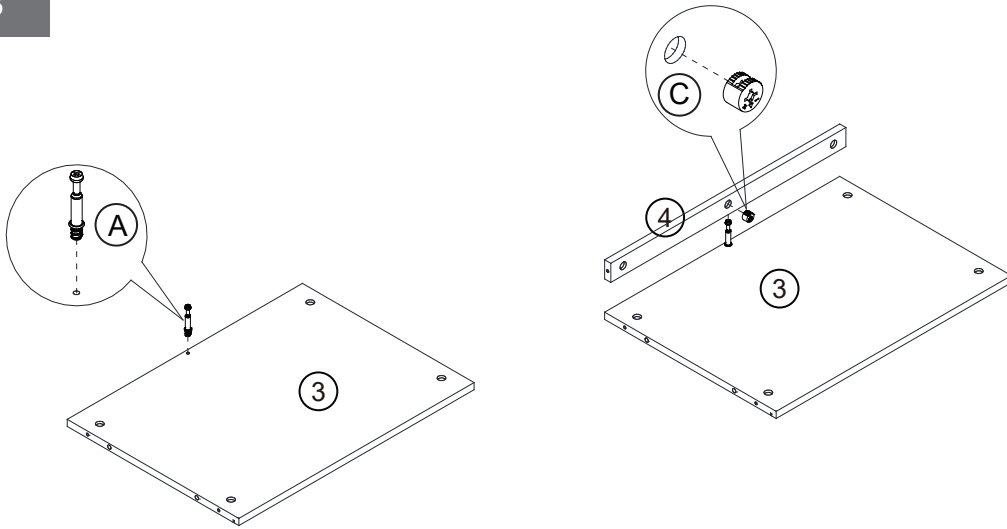
E



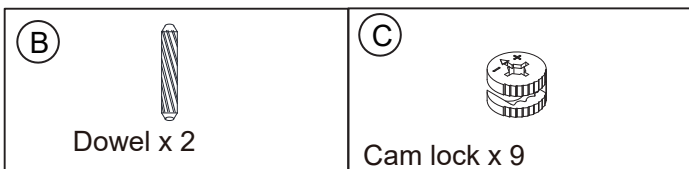
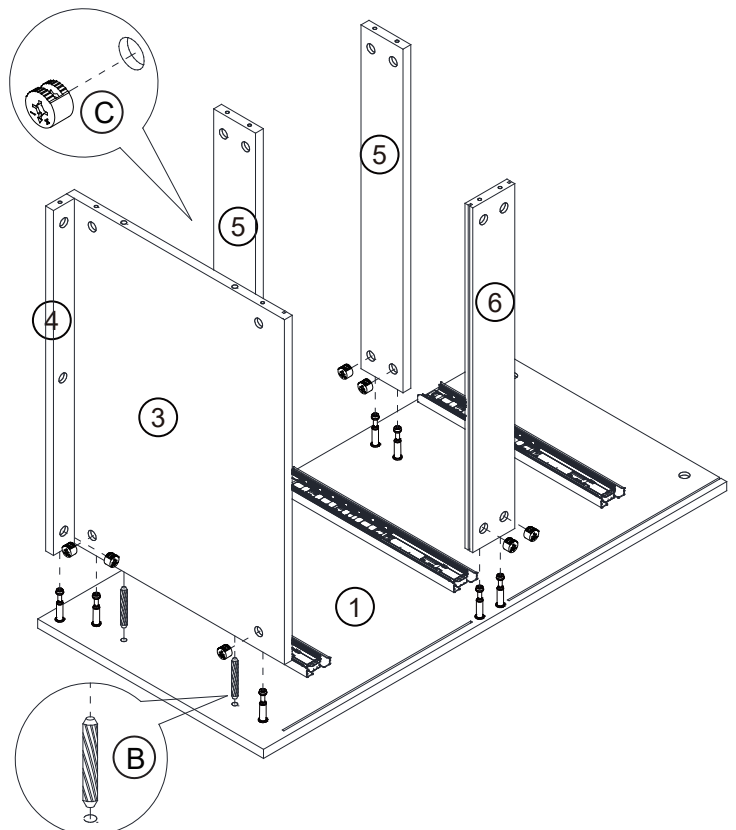
3*12mm Screw x 12

Assembly Instructions

Step 3

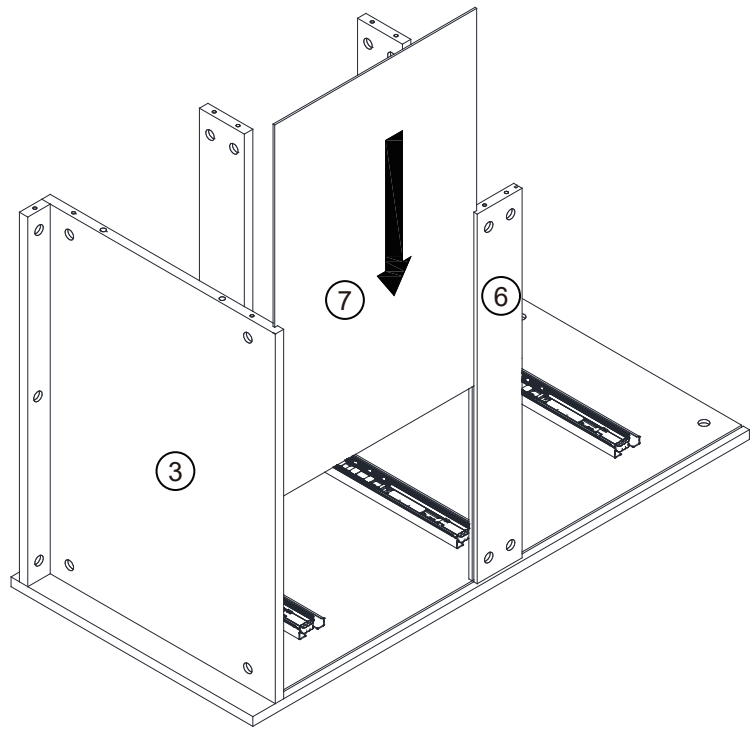


Step 4

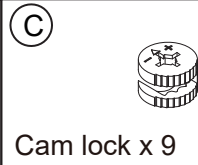
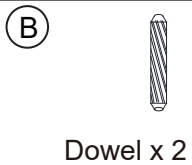
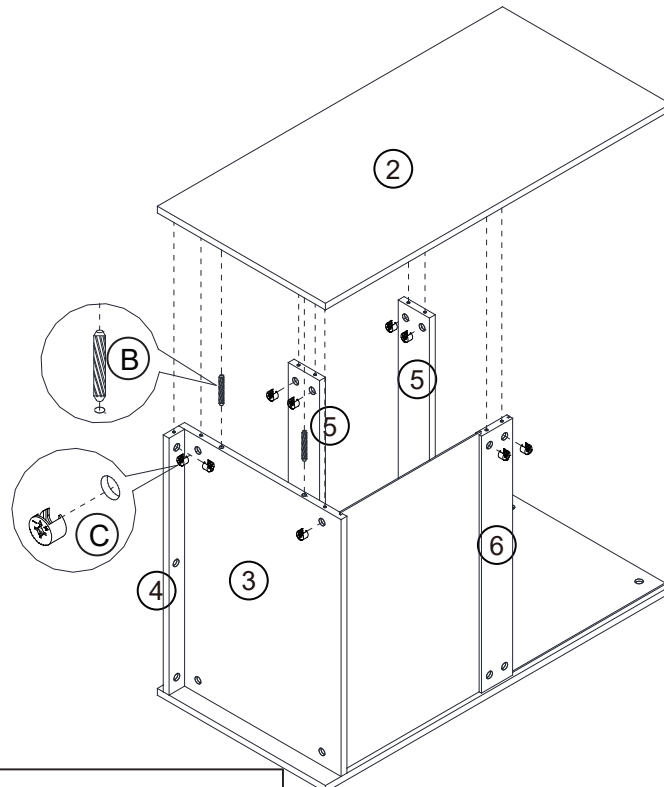


Assembly Instructions

Step 5

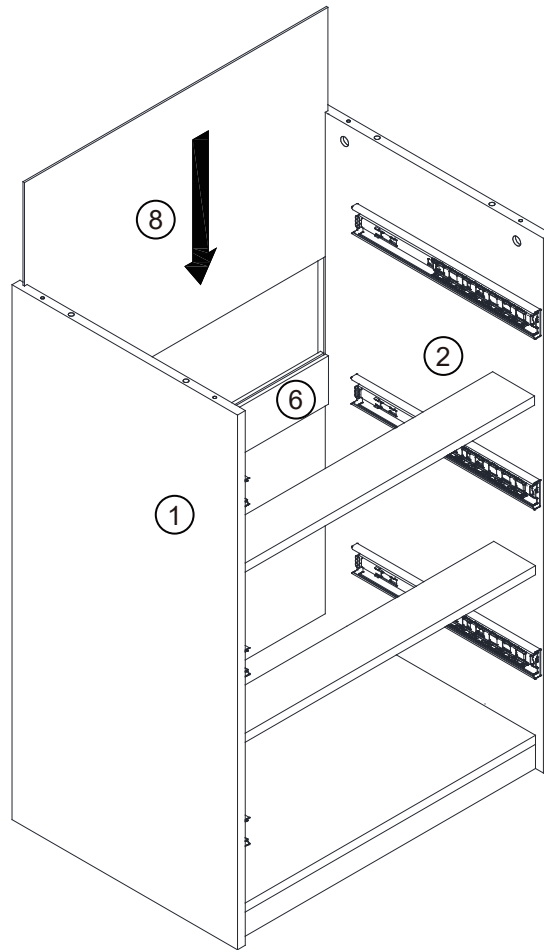


Step 6

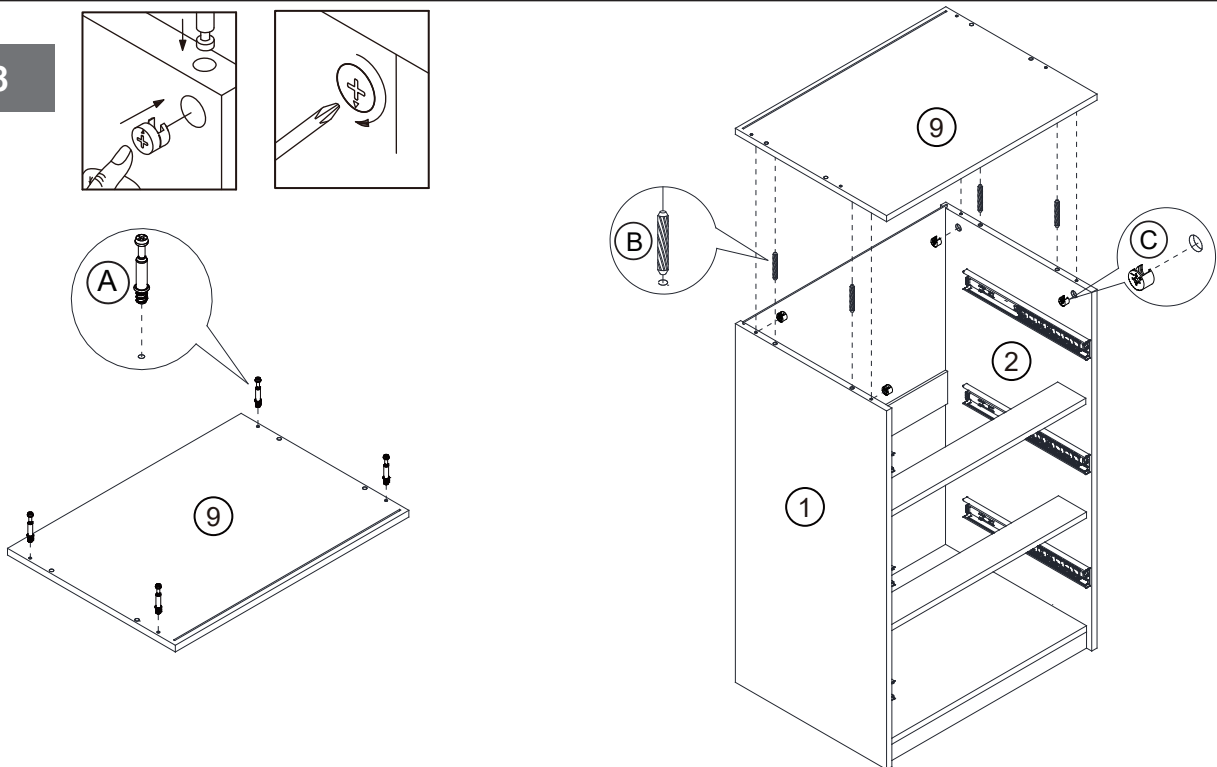
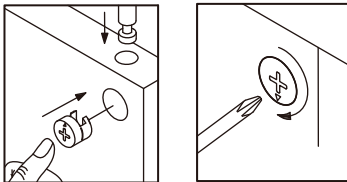


Assembly Instructions

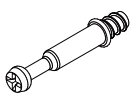
Step 7



Step 8



(A)



Cam Bolt x 4

(B)



Dowel x 4

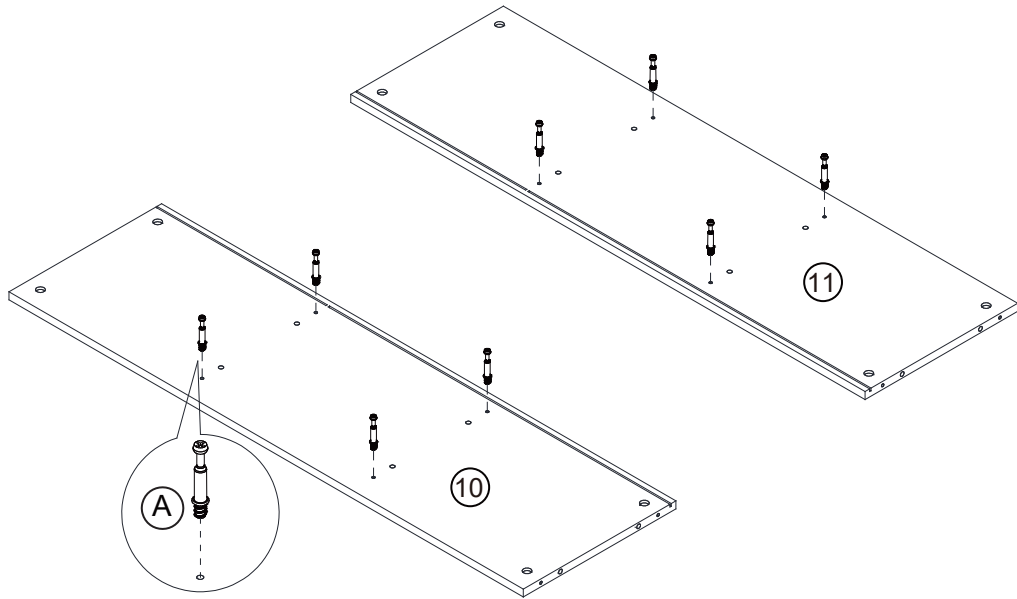
(C)



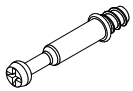
Cam lock x 4

Assembly Instructions

Step 9

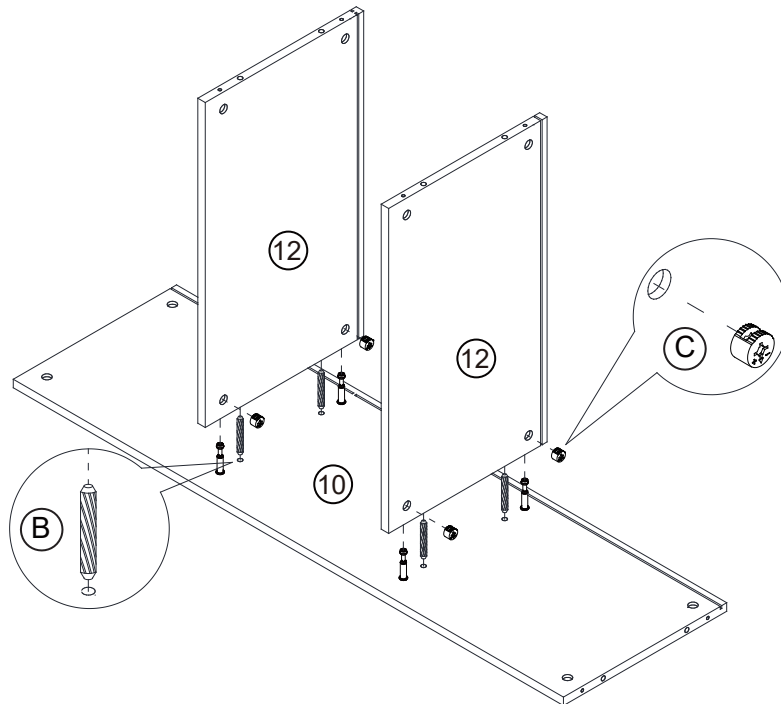


(A)



Cam Bolt x 8

Step 10



(B)



Dowel x 4

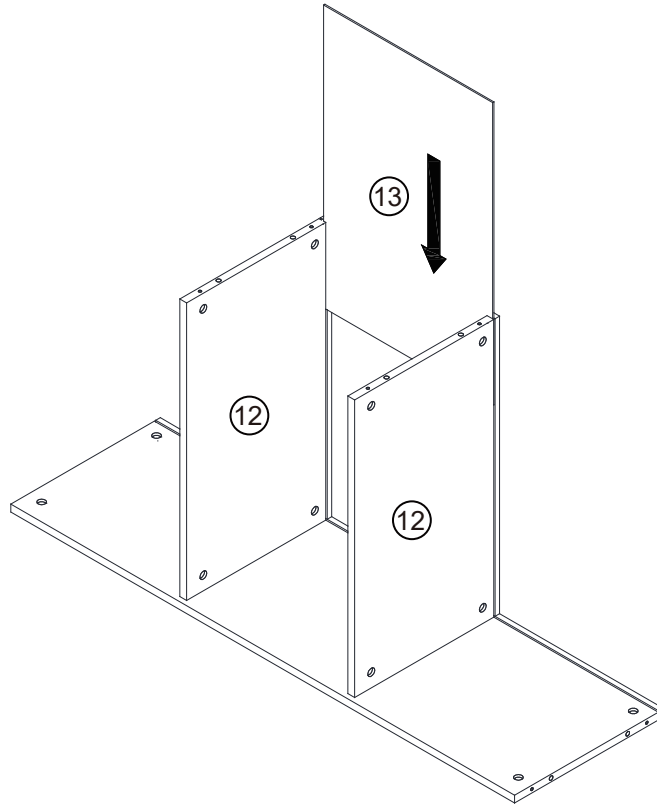
(C)



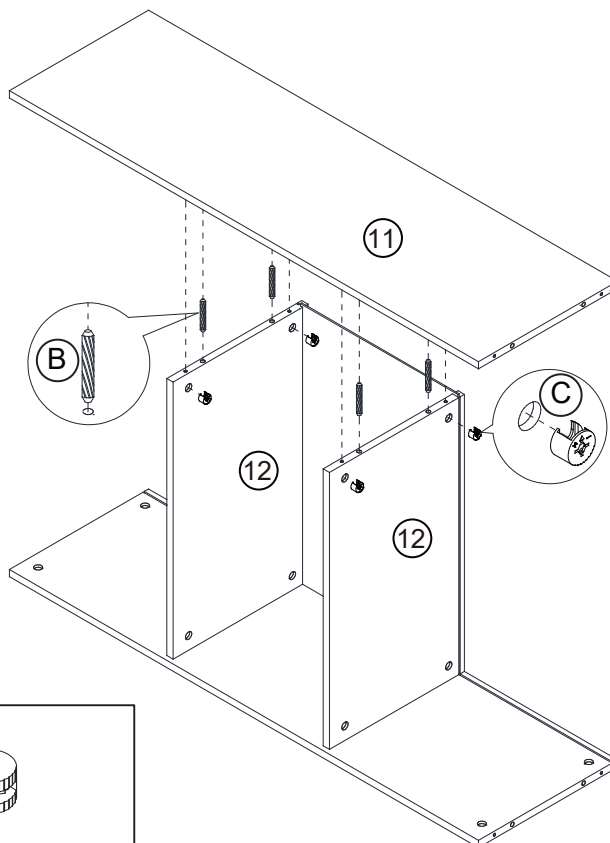
Cam lock x 4

Assembly Instructions

Step 11



Step 12



(B)



Dowel x 4

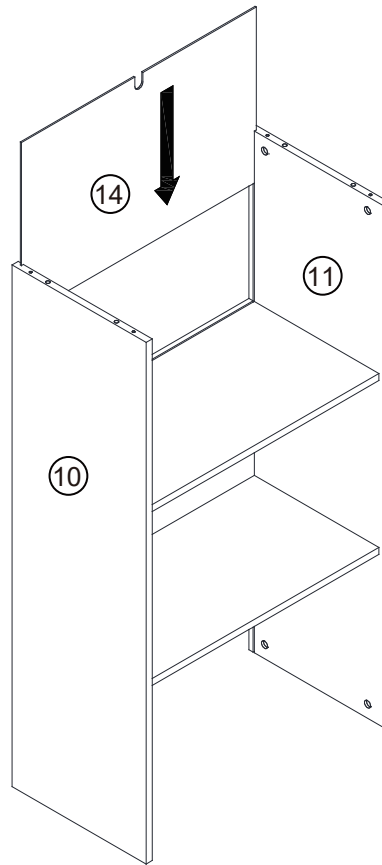
(C)



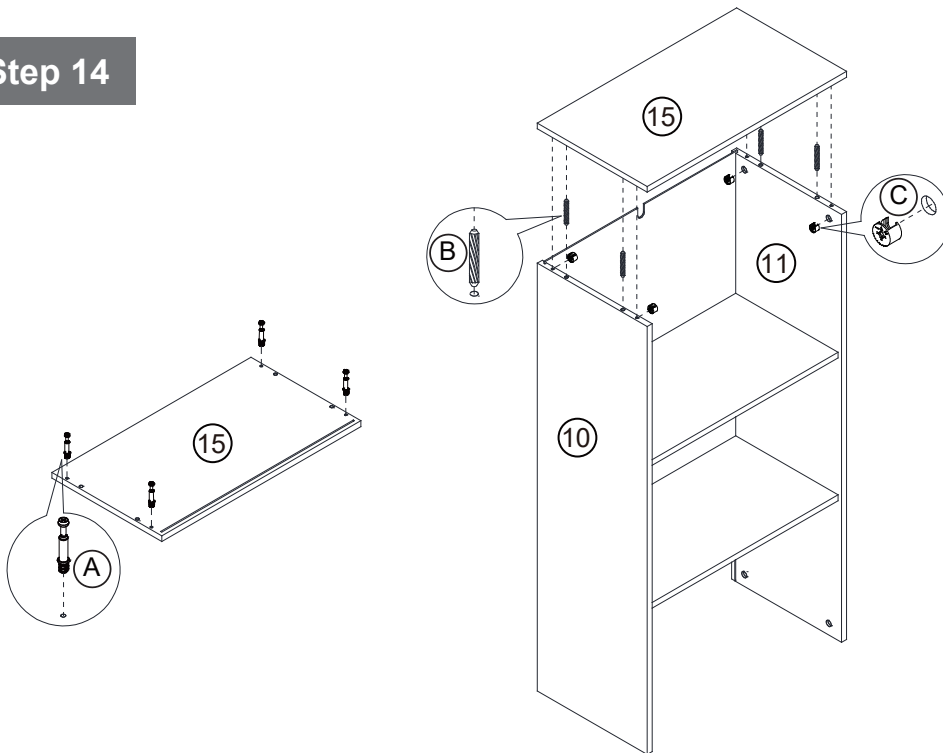
Cam lock x 4

Assembly Instructions

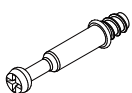
Step 13



Step 14



A



Cam Bolt x 4

B



Dowel x 4

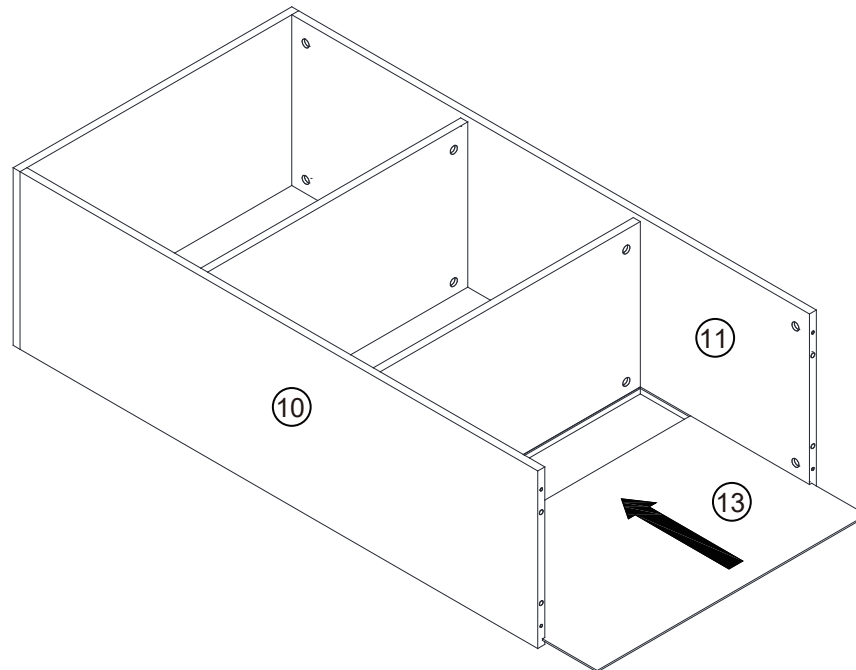
C



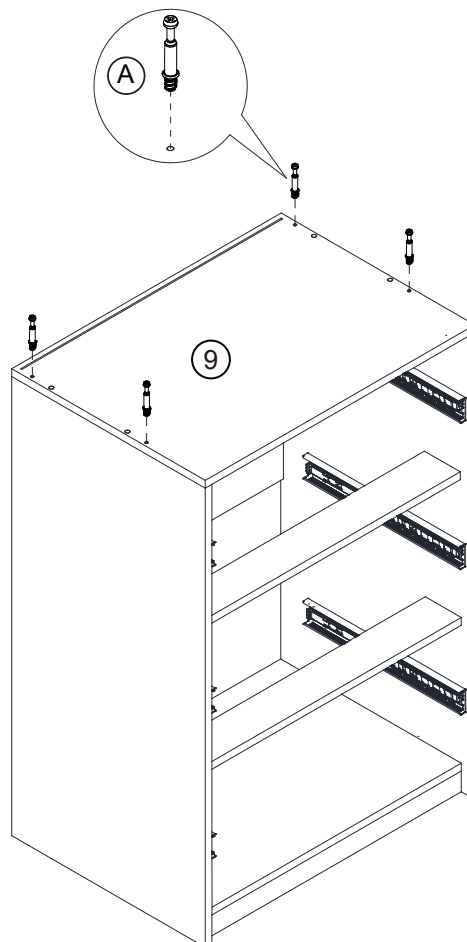
Cam lock x 4

Assembly Instructions

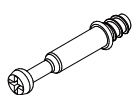
Step 15



Step 16



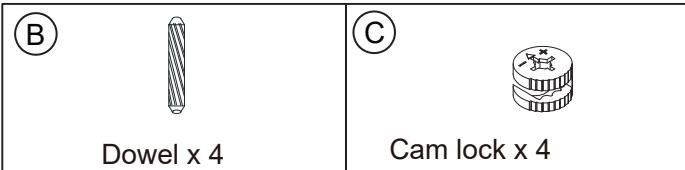
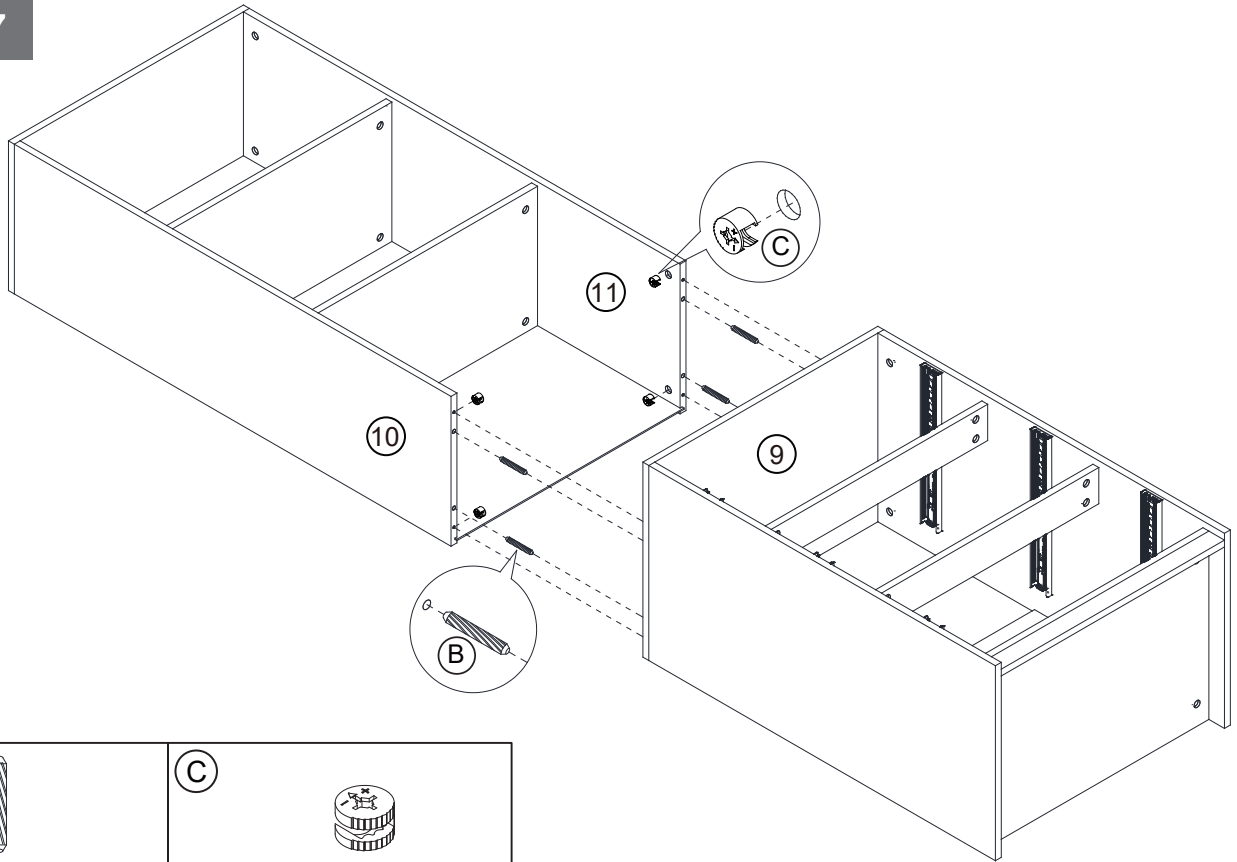
A



Cam Bolt x 4

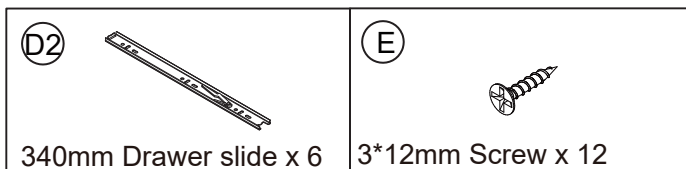
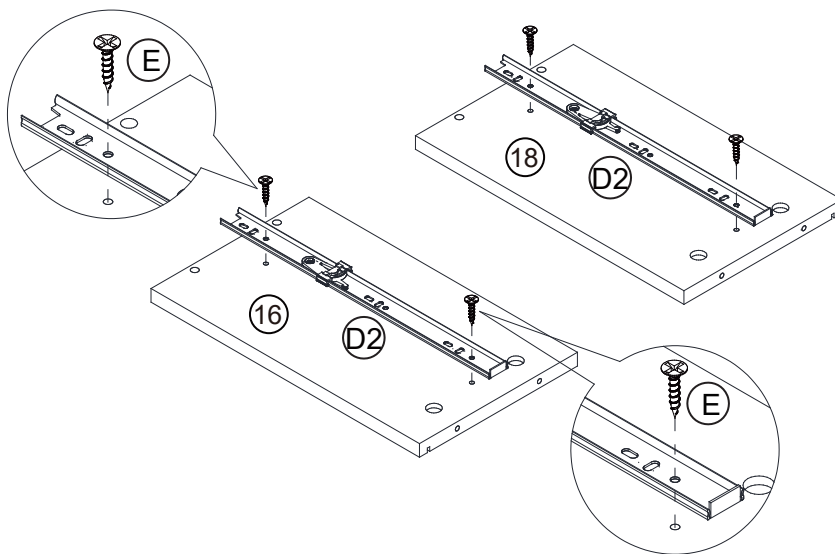
Assembly Instructions

Step 17



Step 18

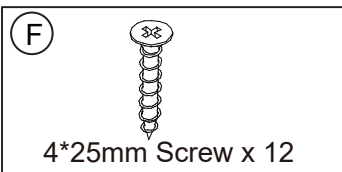
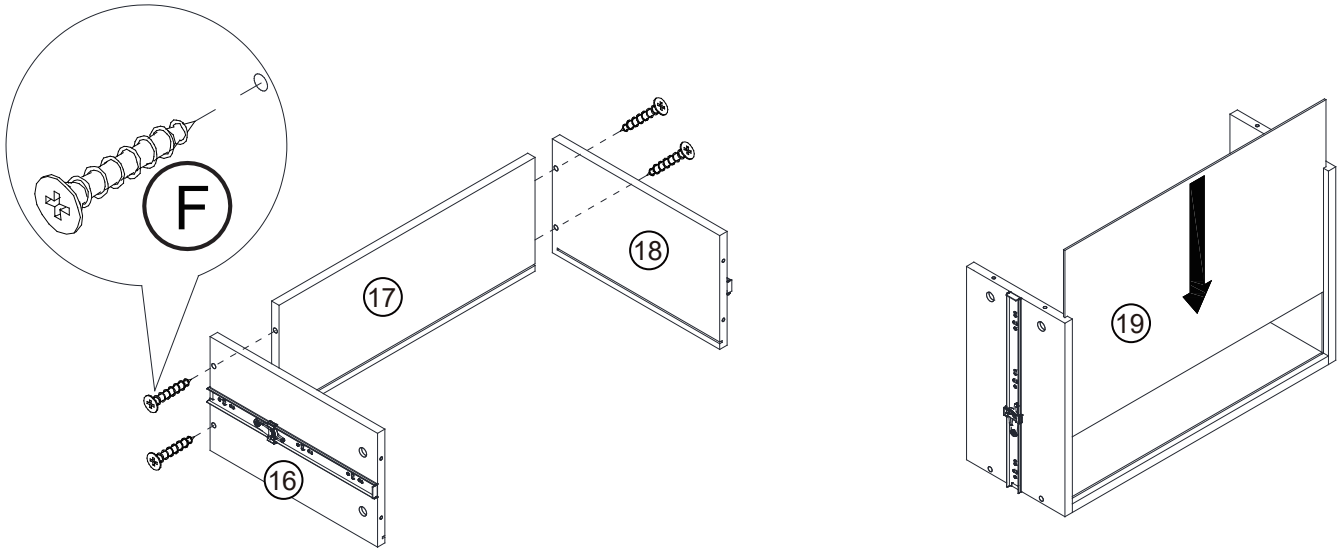
x3



Assembly Instructions

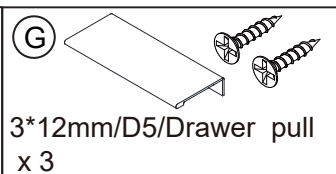
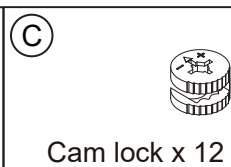
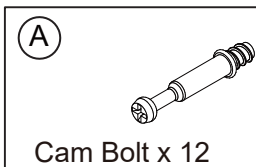
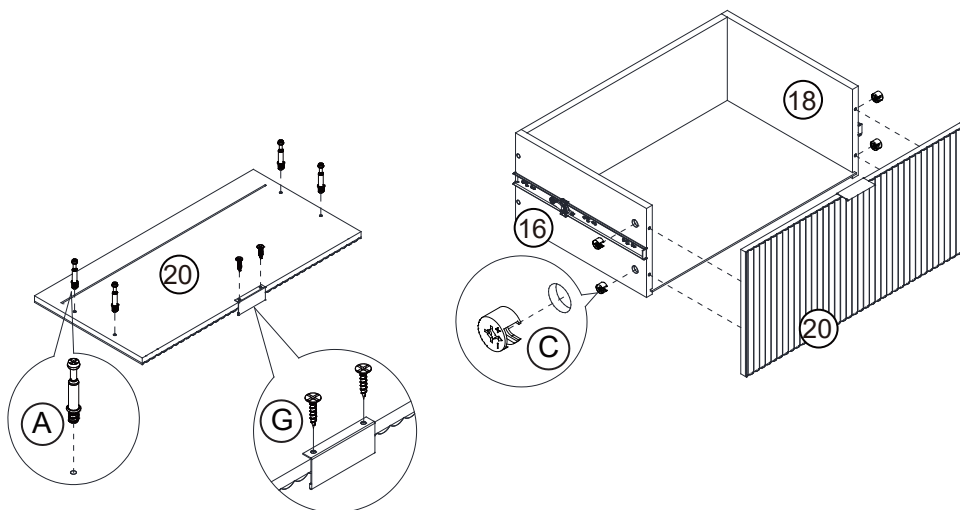
Step 19

x3



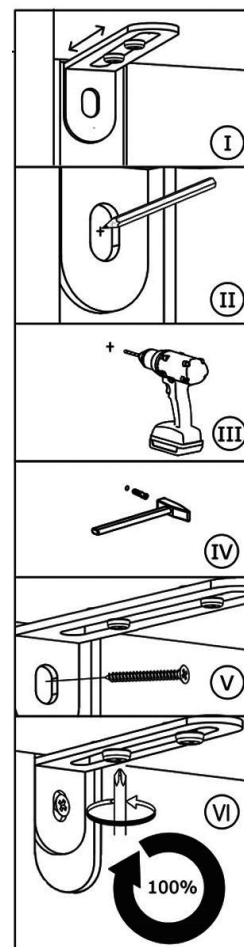
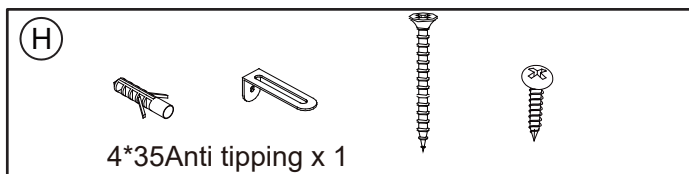
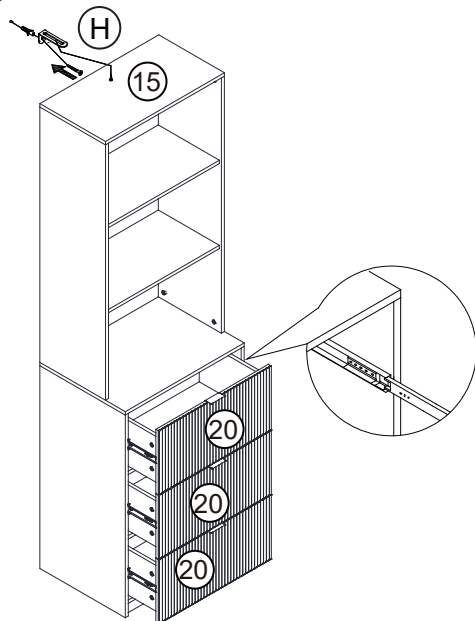
Step 20

x3



Assembly Instructions

Step 21



Step 22

