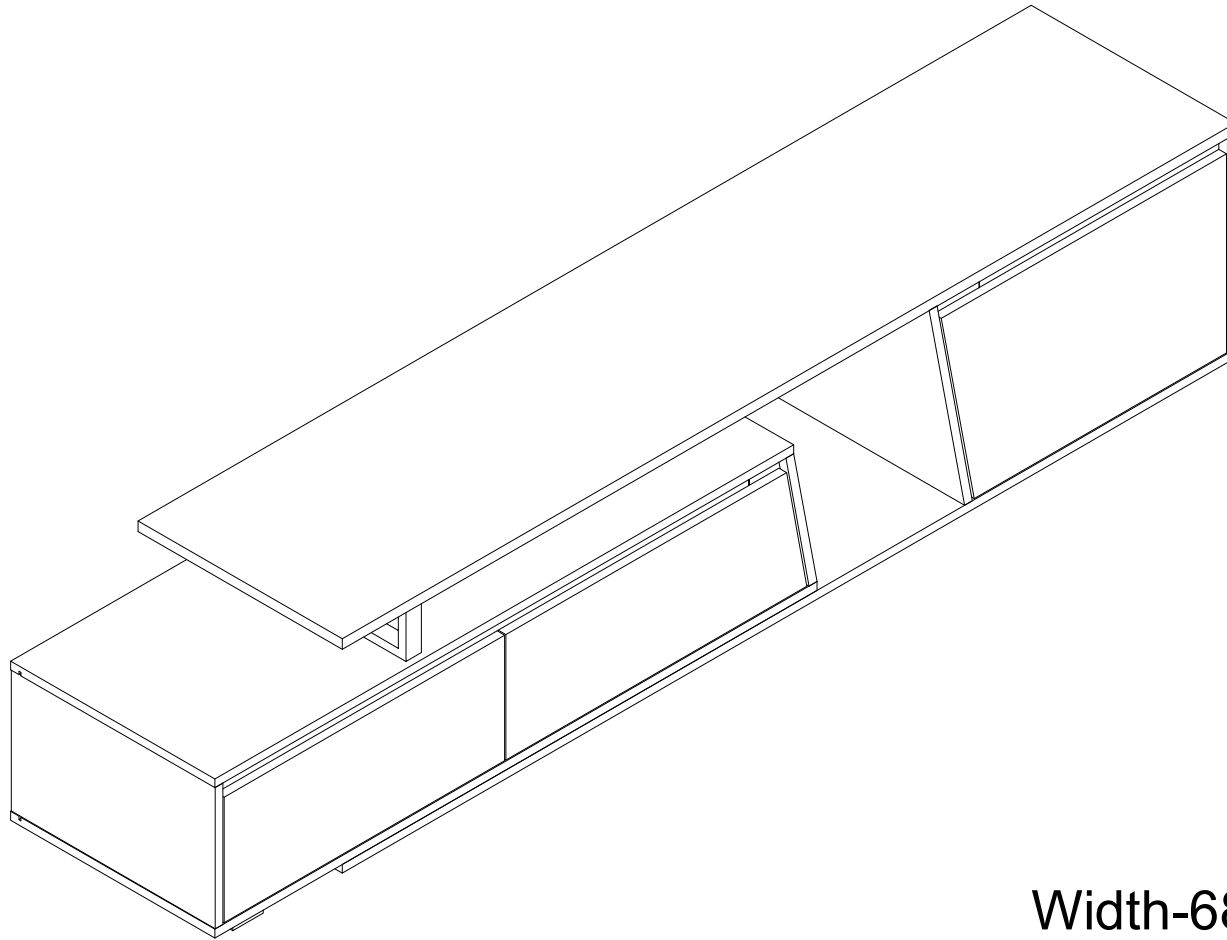
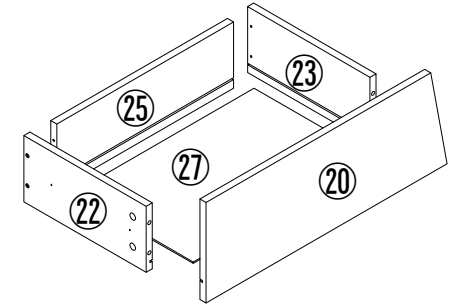
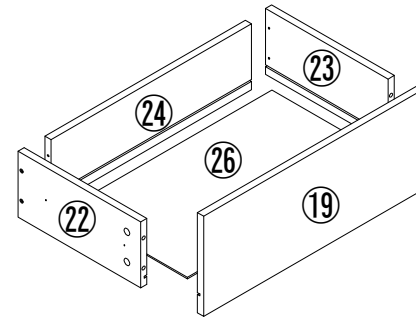
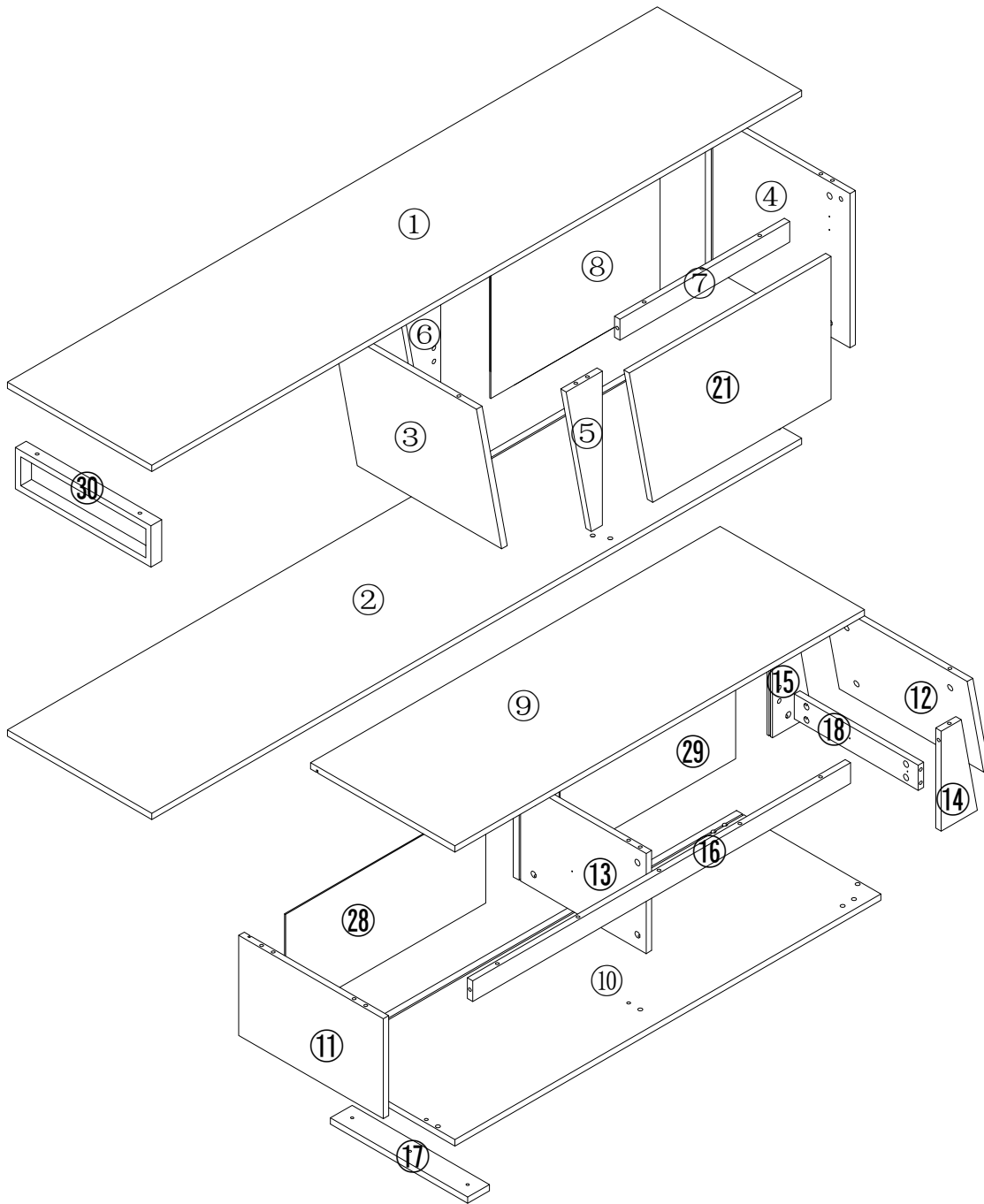





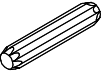

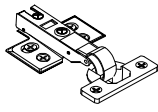
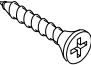
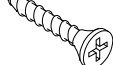
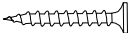


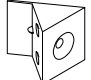

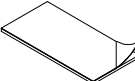
# WF311369



Width-68.90inch  
Depth-15.75inch  
Height-15.75inch

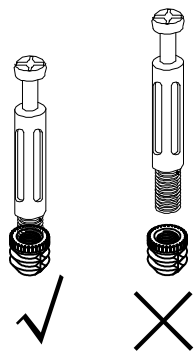
Note: No. 1 3 4 9 11 12 19 20 21 board with protective film. Please tear it off after installation !



<p>A</p>  <p>43PCS 300MM</p>	<p>B</p>  <p>8PCS</p>	<p>C</p>  <p>51PCS</p>	<p>D</p>  <p>17PCS 8*40</p>
<p>E</p>  <p>1set=2pcs 2PCS</p>	<p>F</p>  <p>2PCS</p>	<p>G</p>  <p>16PCS 3*12</p>	<p>H</p>  <p>28PCS 3.5*14</p>
<p>I</p>  <p>3PCS 3.5*20</p>	<p>J</p>  <p>8PCS 3.5*35</p>	<p>K</p>  <p>2PCS 6*25</p>	<p>L</p>  <p>16PCS</p>
<p>M</p>  <p>8PCS</p>	<p>N</p>  <p>2PCS</p>		

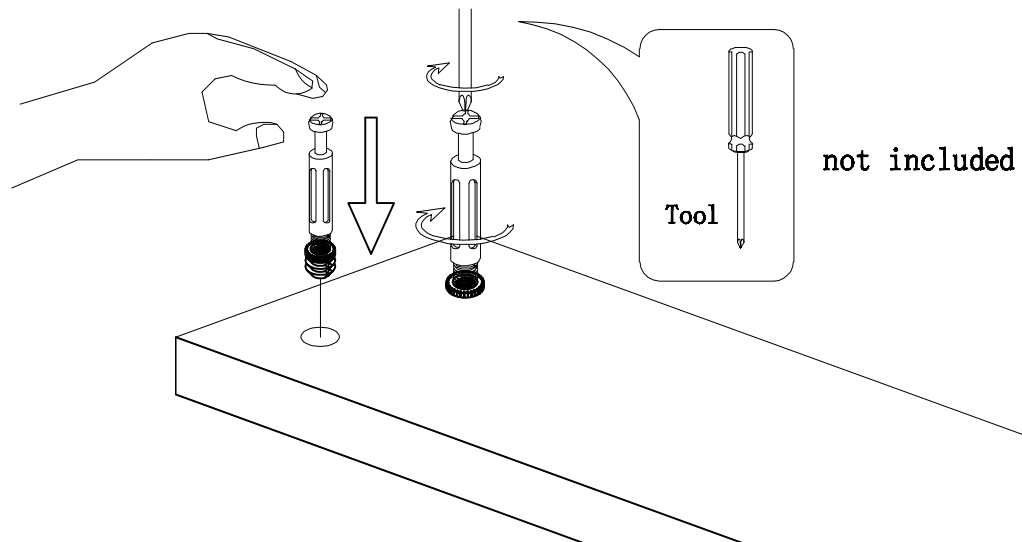
# "A" Hardware installation example

I

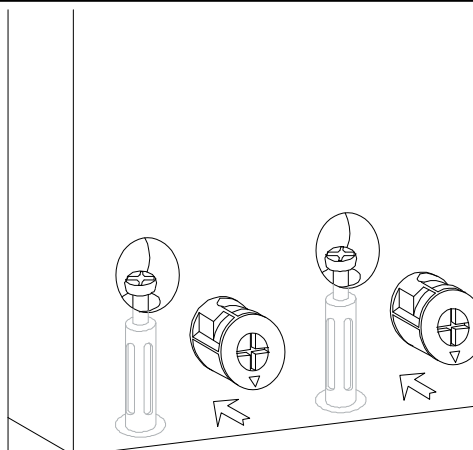


This part cannot be separated,  
please install in strict  
accordance with the assembly  
requirements

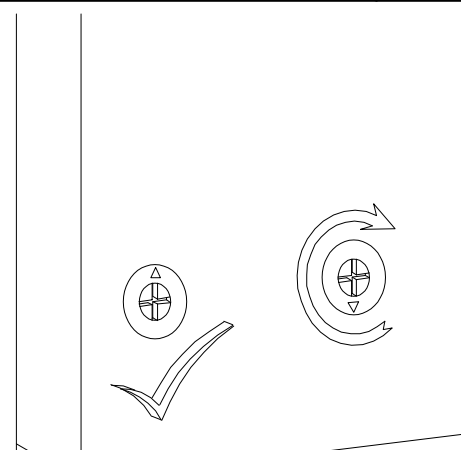
II



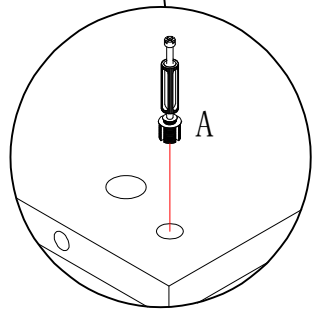
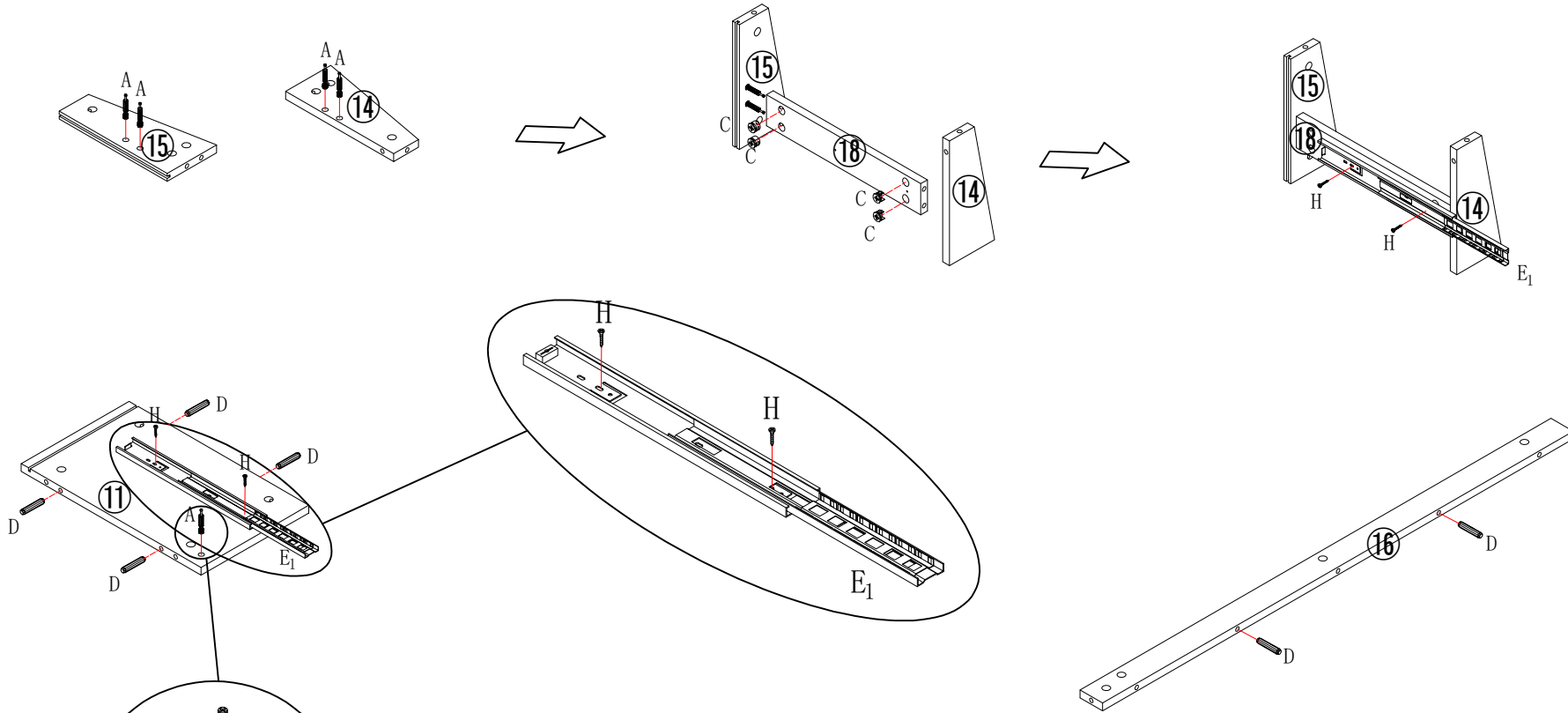
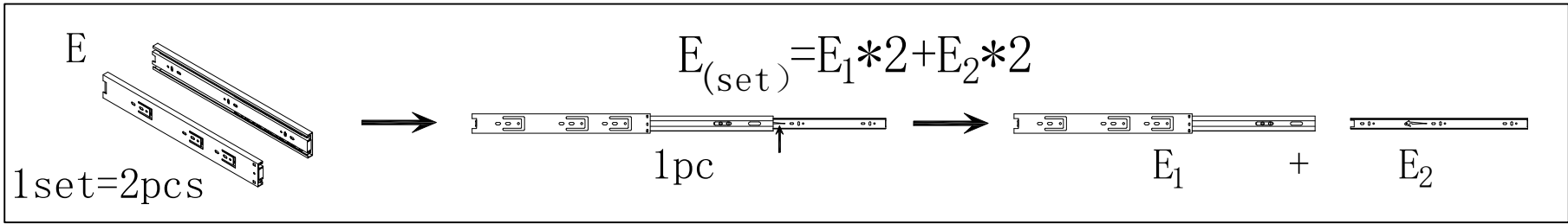
III



IV



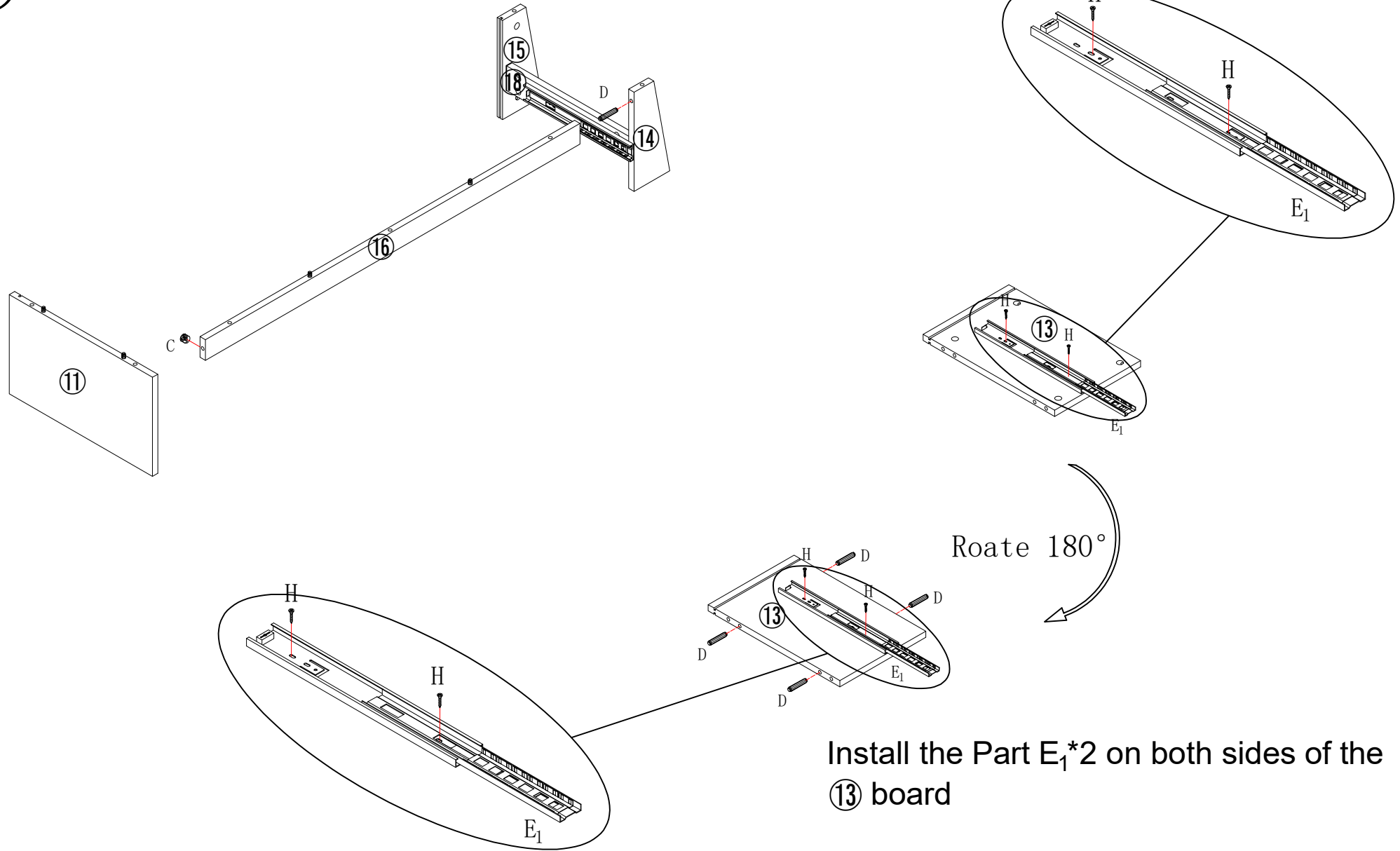
1




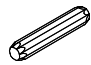


<p>A</p> <p>5PCS</p>	<p>C</p> <p>4PCS</p>	<p>D</p> <p>8*40</p> <p>6PCS</p>	<p><math>E_1</math></p> <p>300MM</p> <p>2PCS</p>	<p>H</p> <p>3.5*14</p> <p>4PCS</p>
----------------------	----------------------	----------------------------------	--	------------------------------------

2

P.4

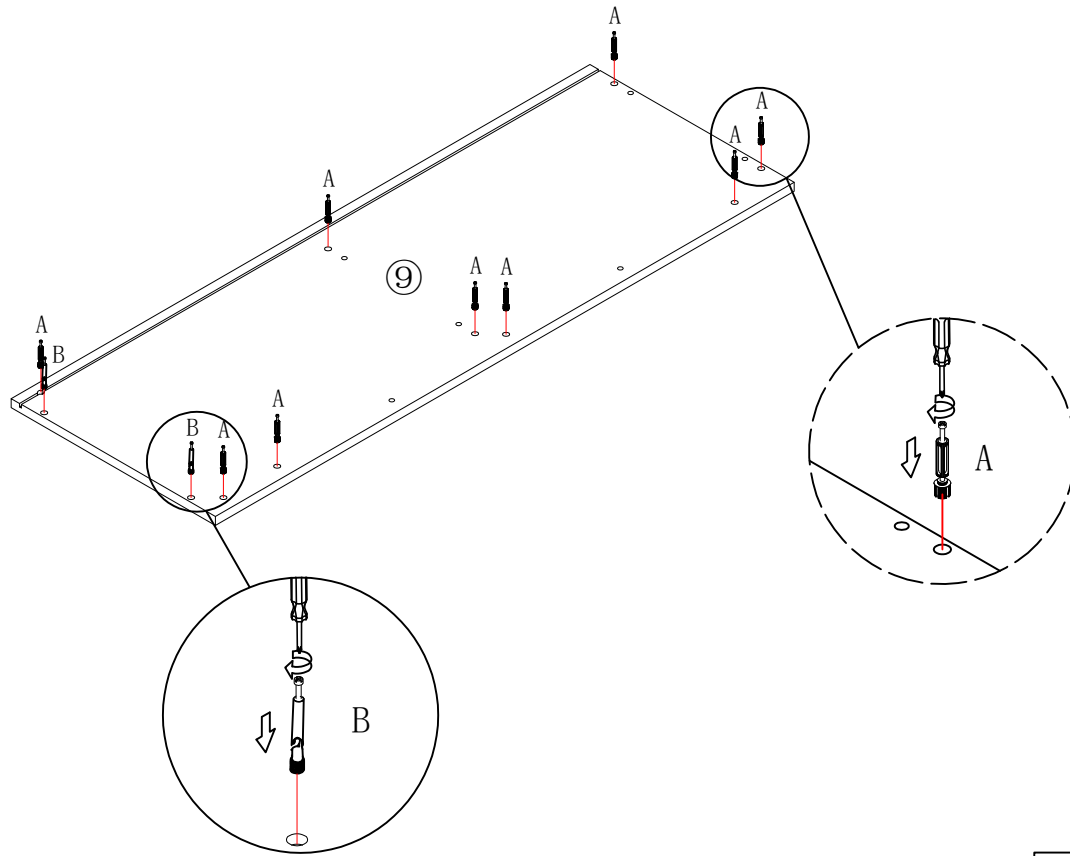
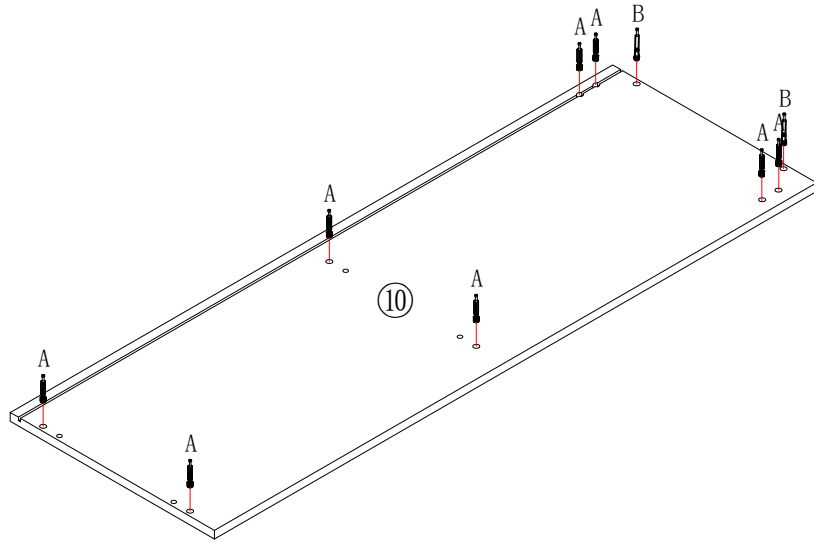


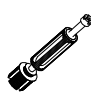

Install the Part E<sub>1</sub>\*2 on both sides of the ⑬ board

C	D 8*40	E <sub>1</sub> 300MM	H 3.5*14
			
1PCS	5PCS	2PCS	4PCS

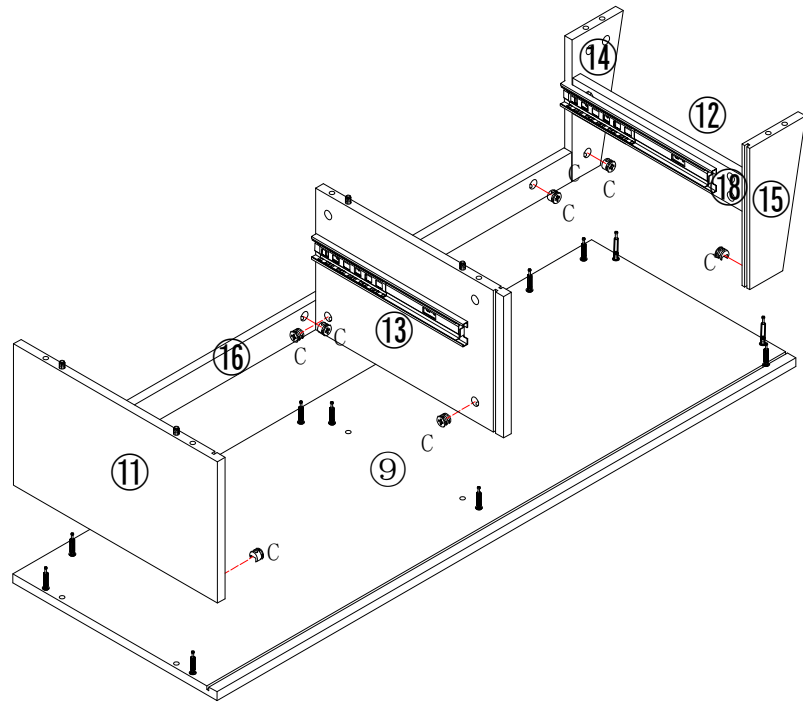
3

P.5



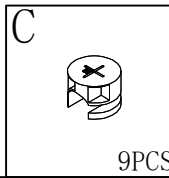
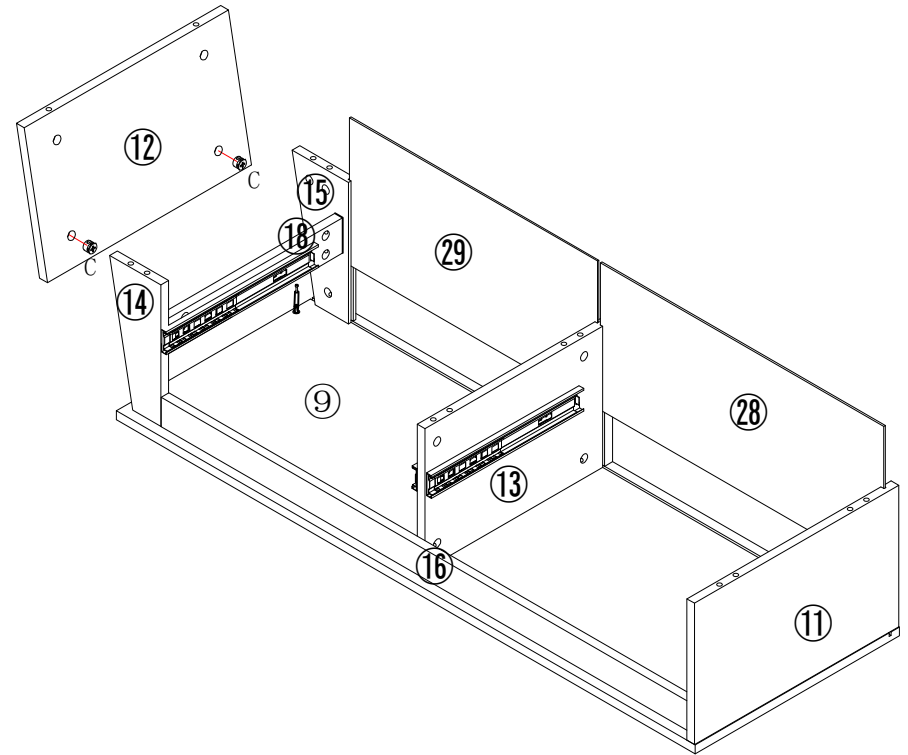
<p>A</p>  <p>17PCS</p>	<p>B</p>  <p>4PCS</p>
---	--

4

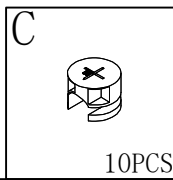
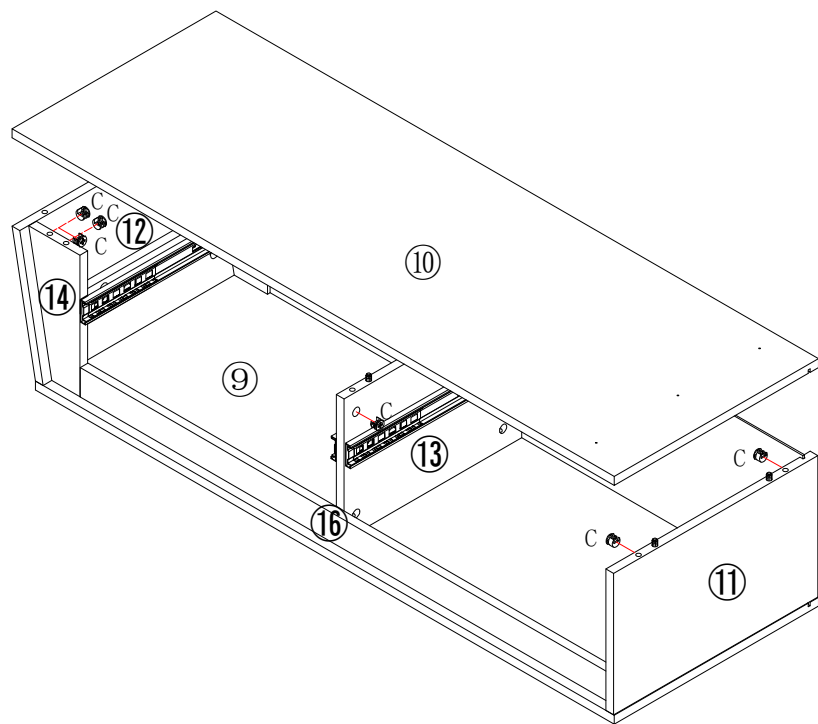


5

P.6

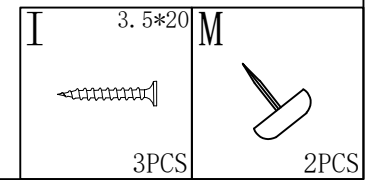
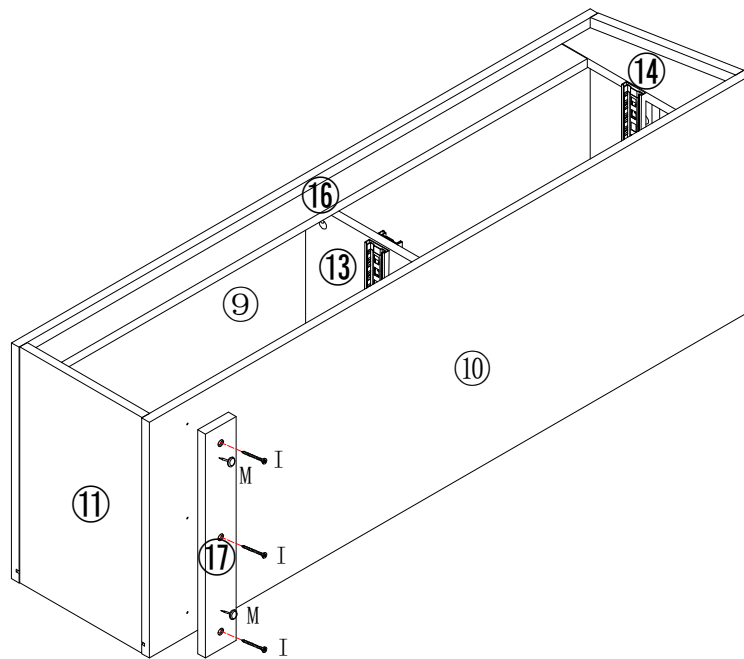


6



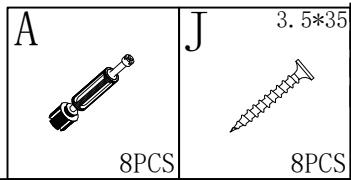
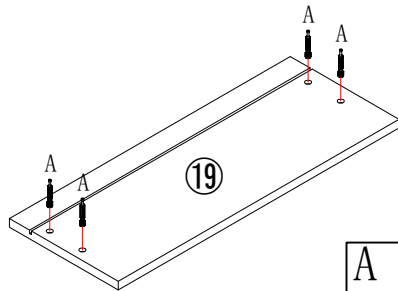
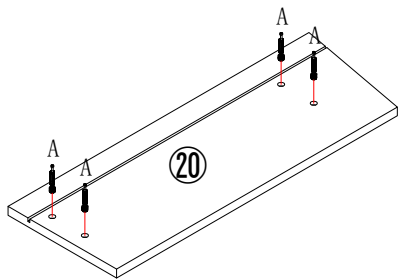
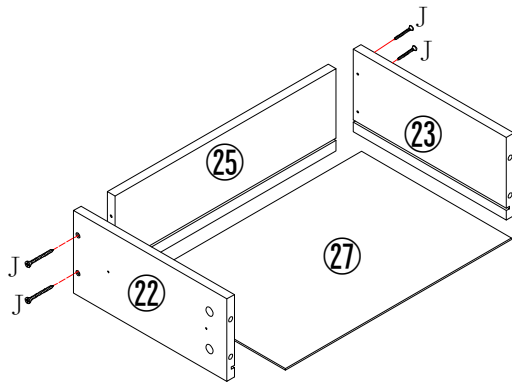
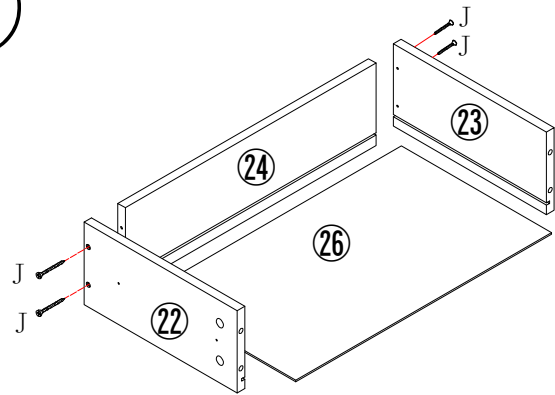
7

P.7



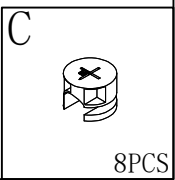
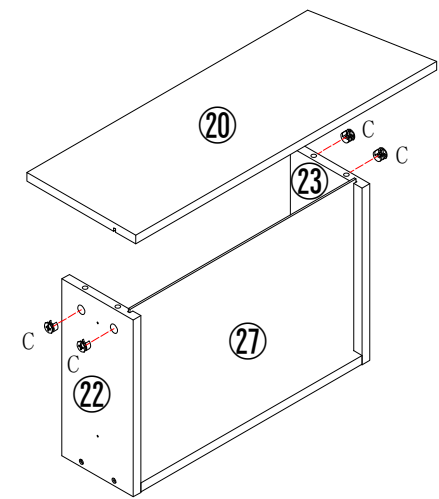
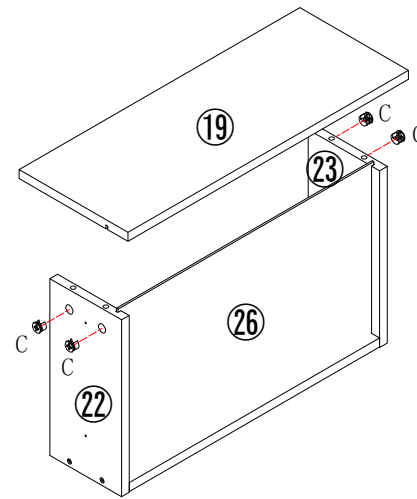


8

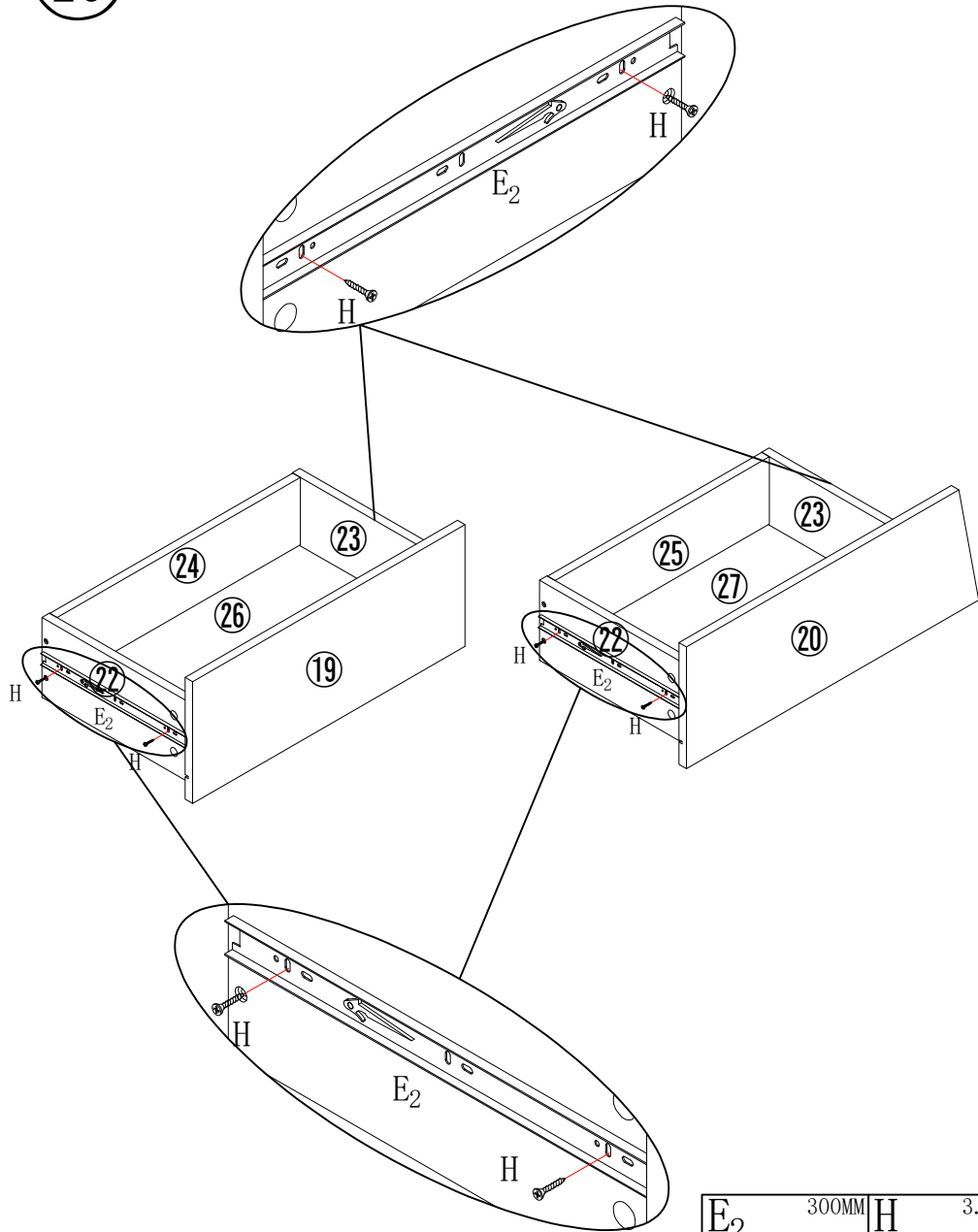




9

P.8



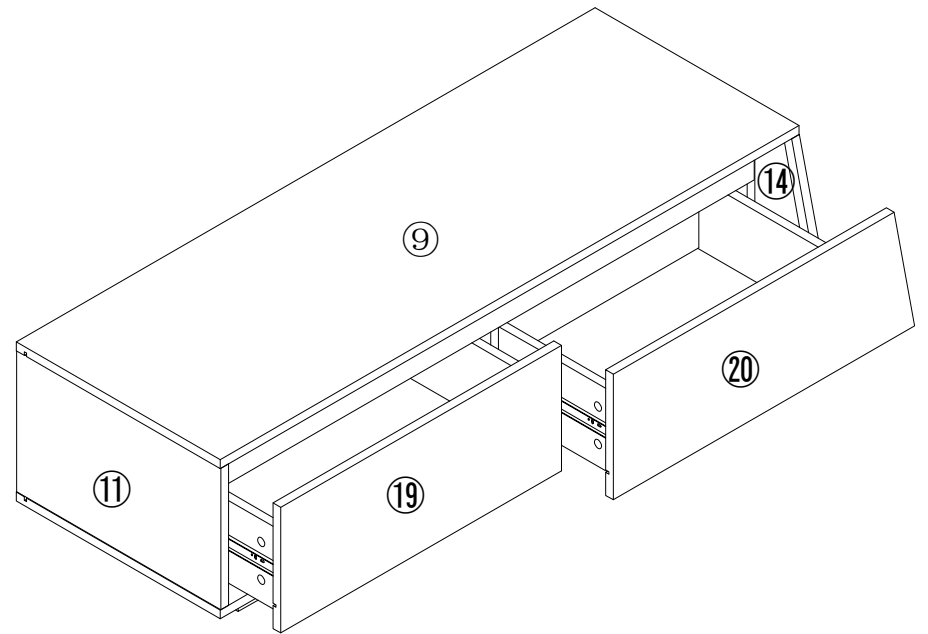
10



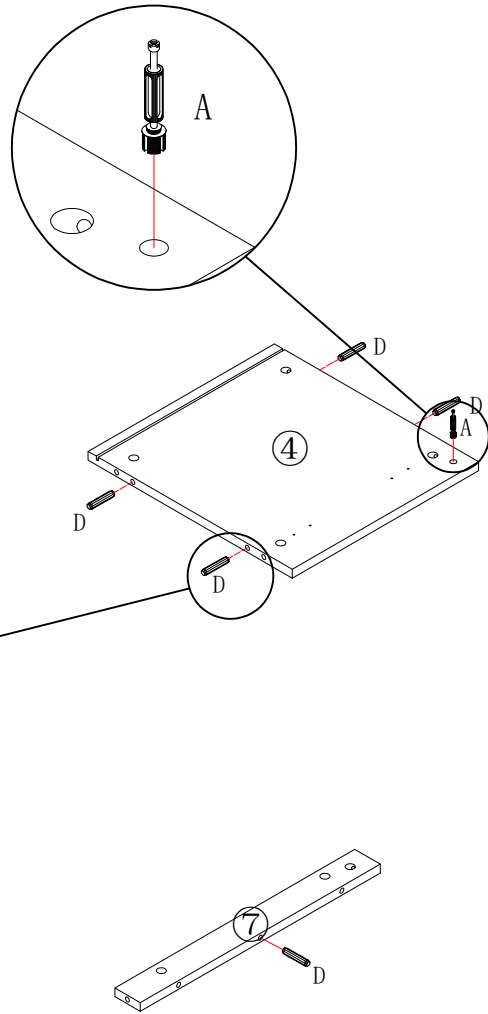
E <sub>2</sub>	300MM	H	3.5*14
			
4PCS		8PCS	


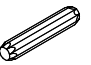
11

P.9



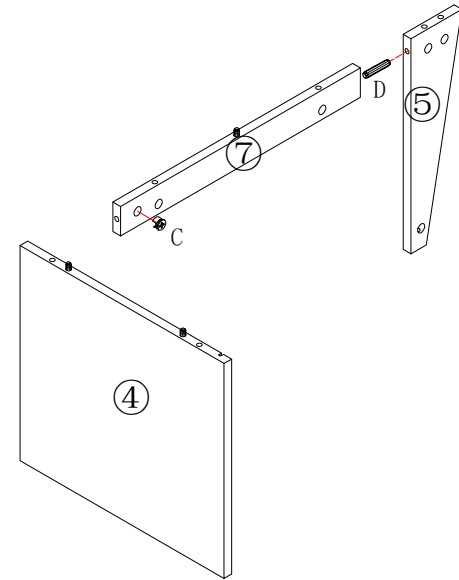
12


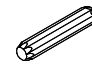


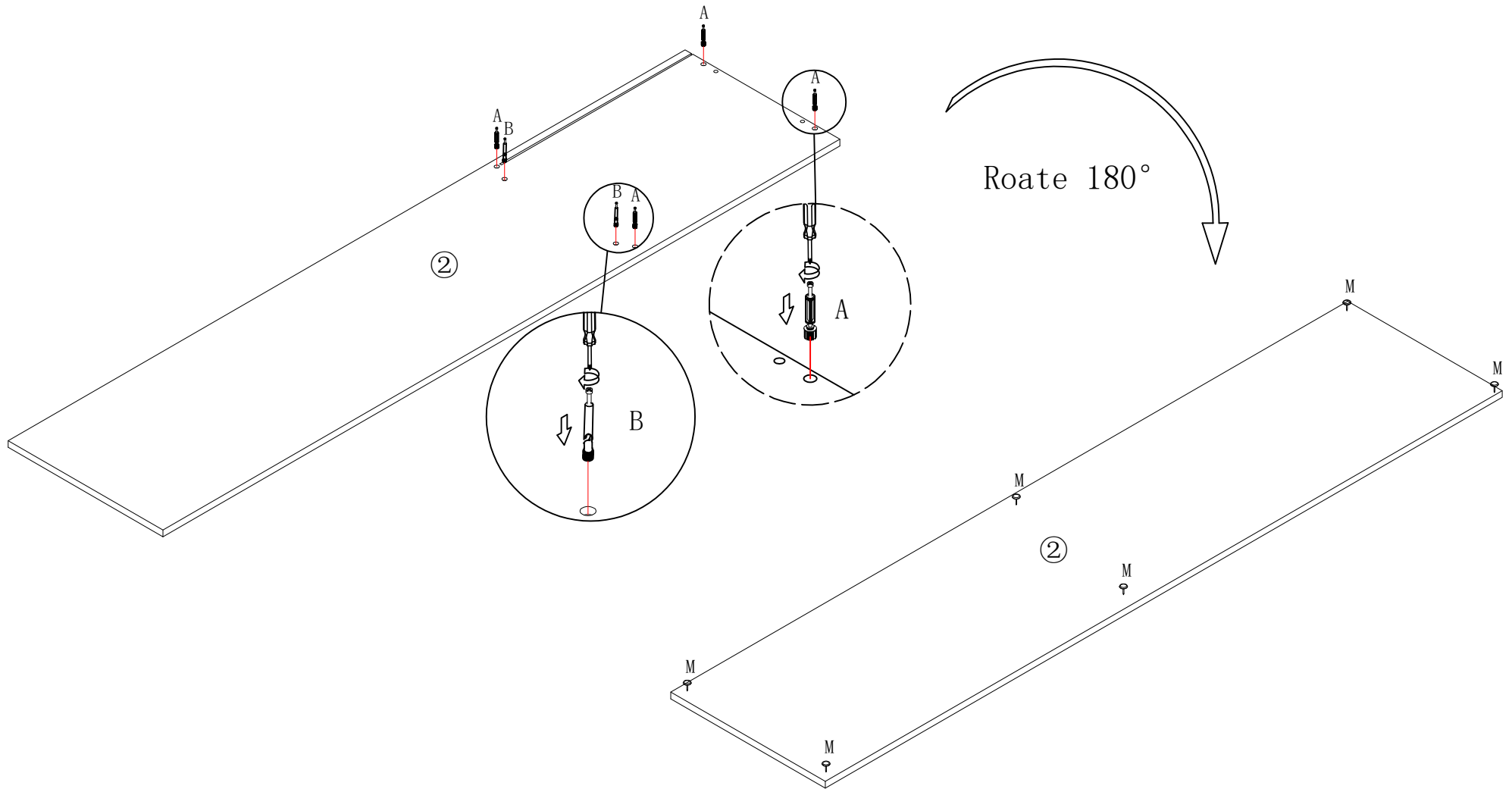
<p>A</p>  <p>1PCS</p>	<p>D</p> <p>8*40</p>  <p>5PCS</p>
--	---


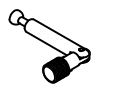

13

P.10

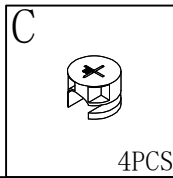
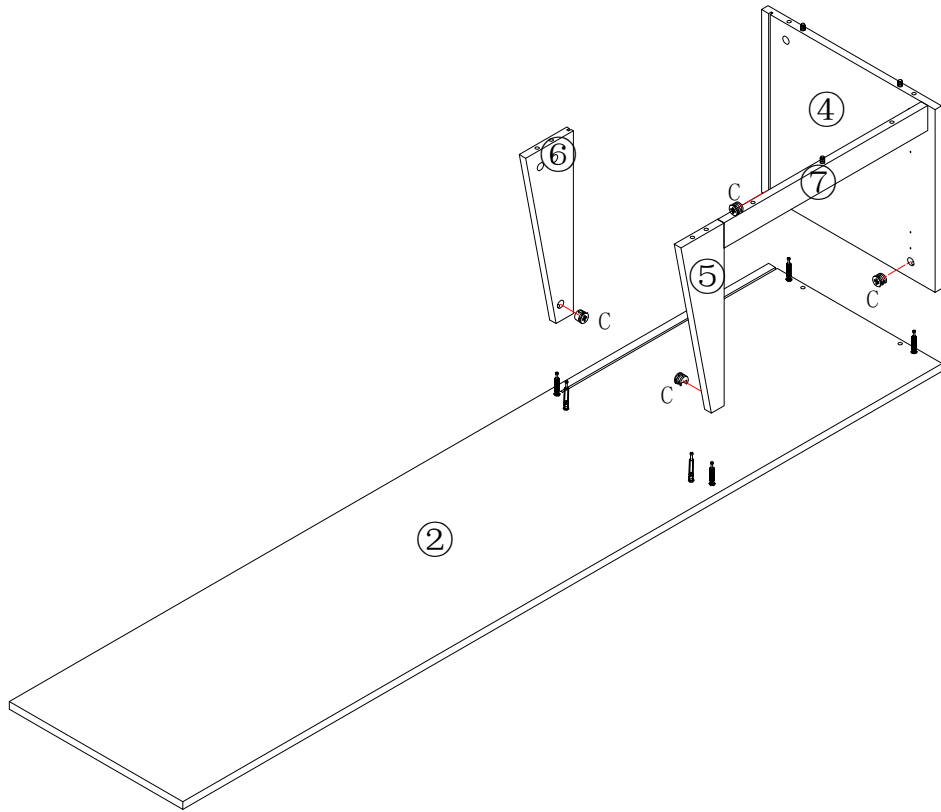


<p>C</p>  <p>1PCS</p>	<p>D</p> <p>8*40</p>  <p>1PCS</p>
--	--



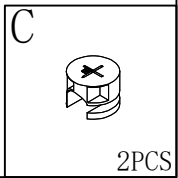
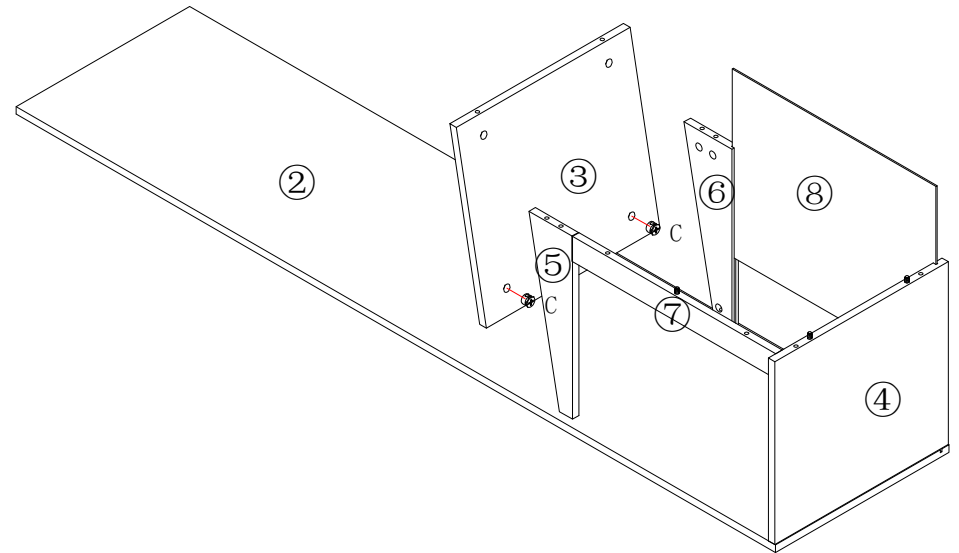
A  4PCS	B  2PCS	M  6PCS
--	--	--

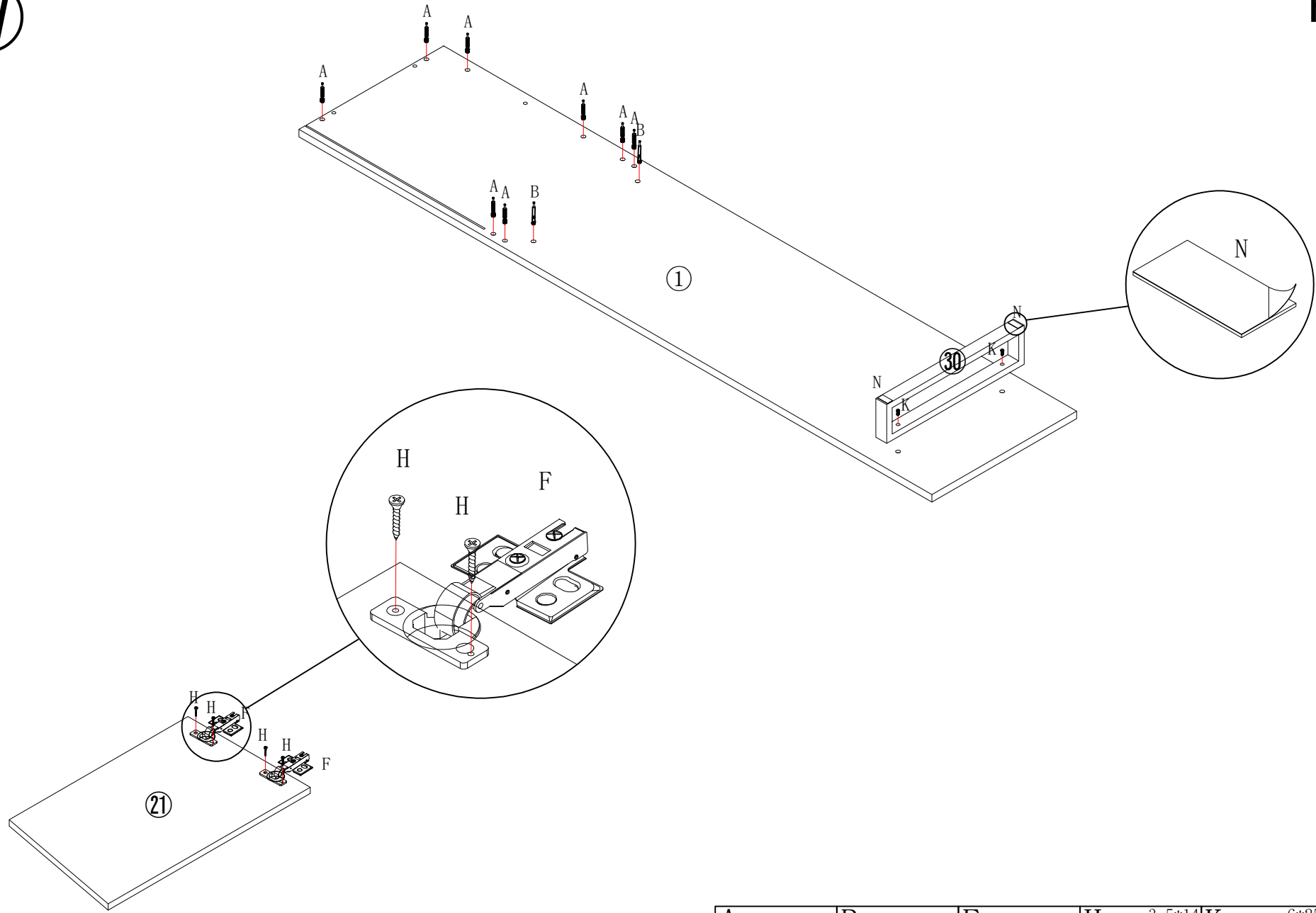
15


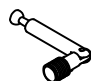
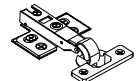


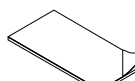


16

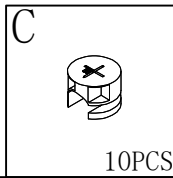
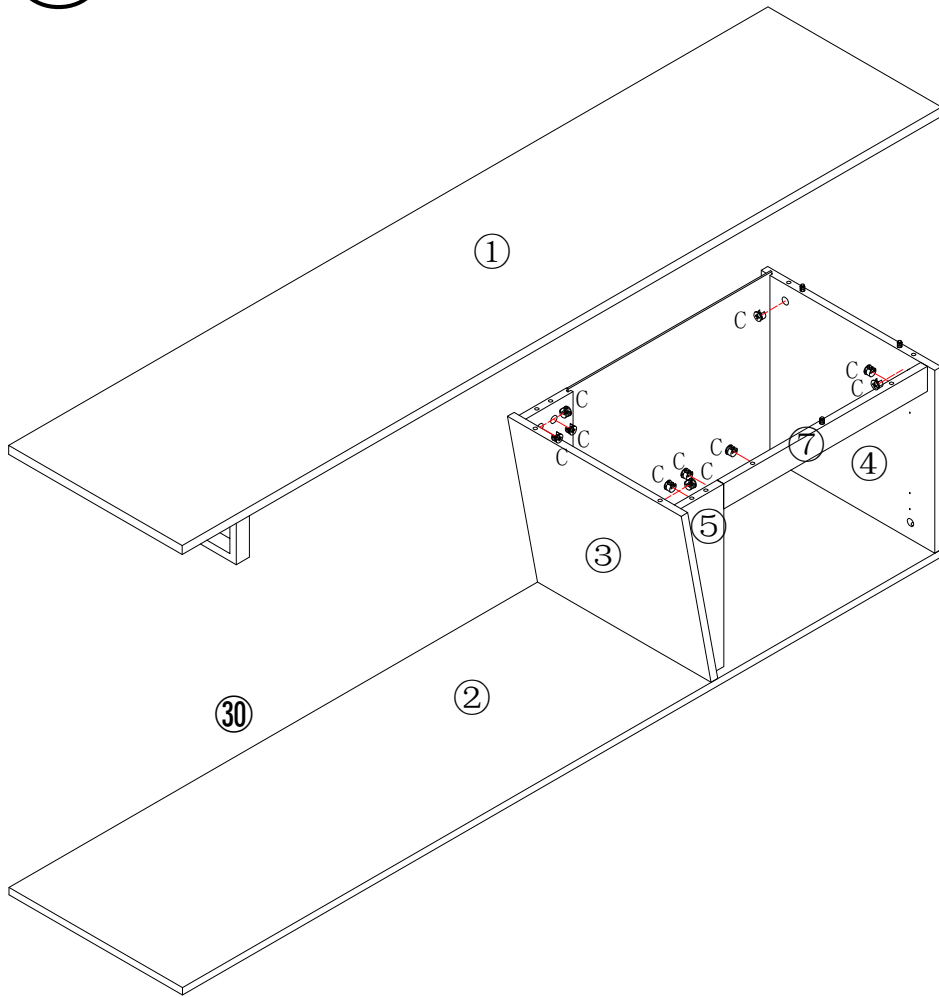
P.12





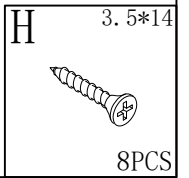
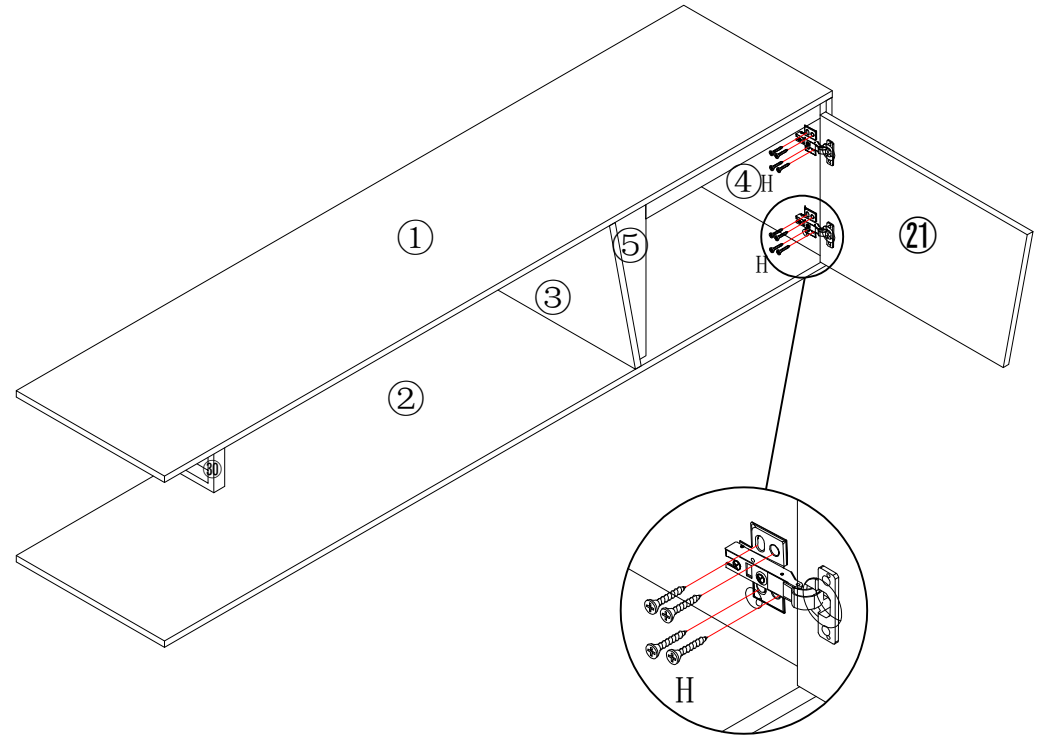
A	B	F	H 3.5*14	K 6*25	N
					
8PCS	2PCS	2PCS	4PCS	2PCS	2PCS

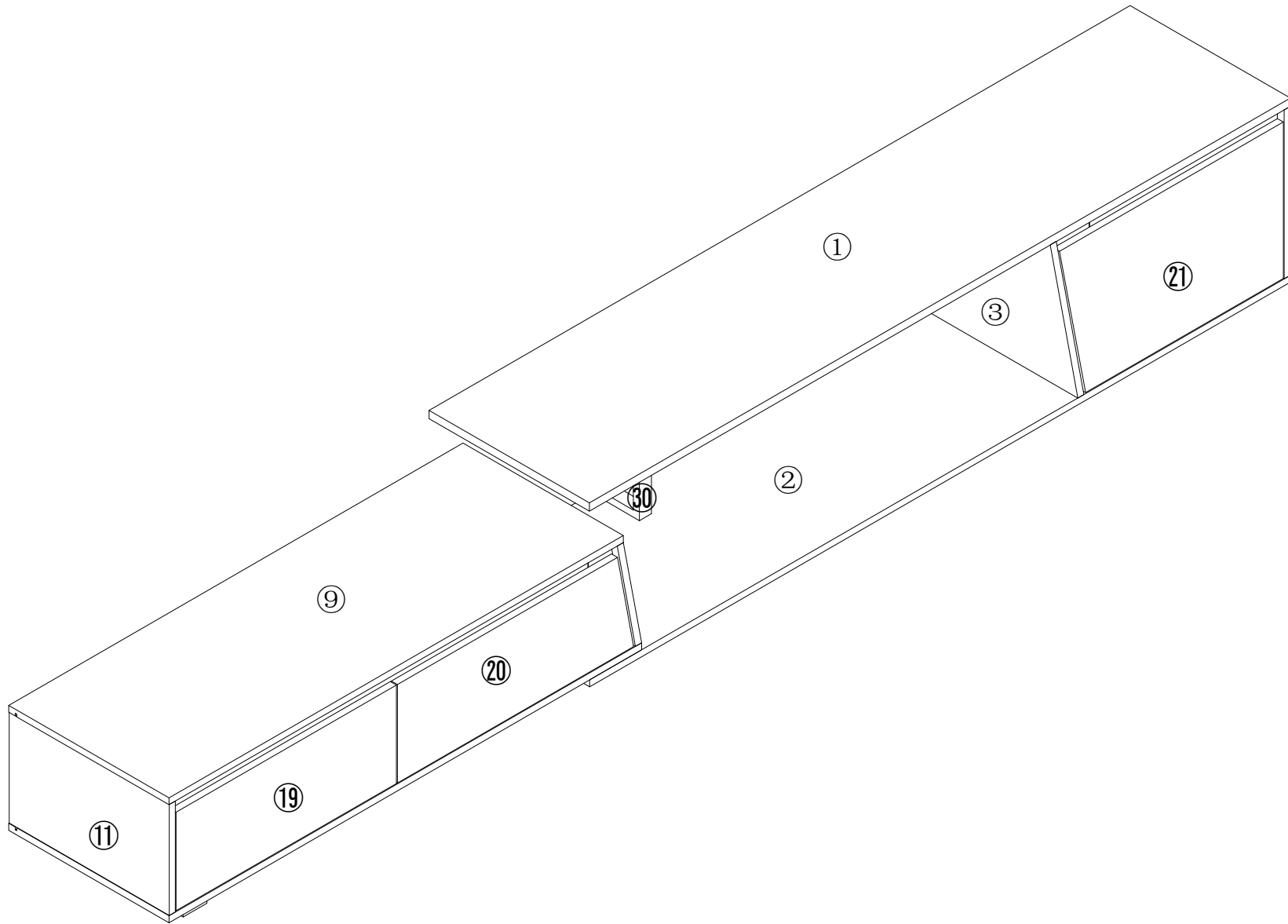
18



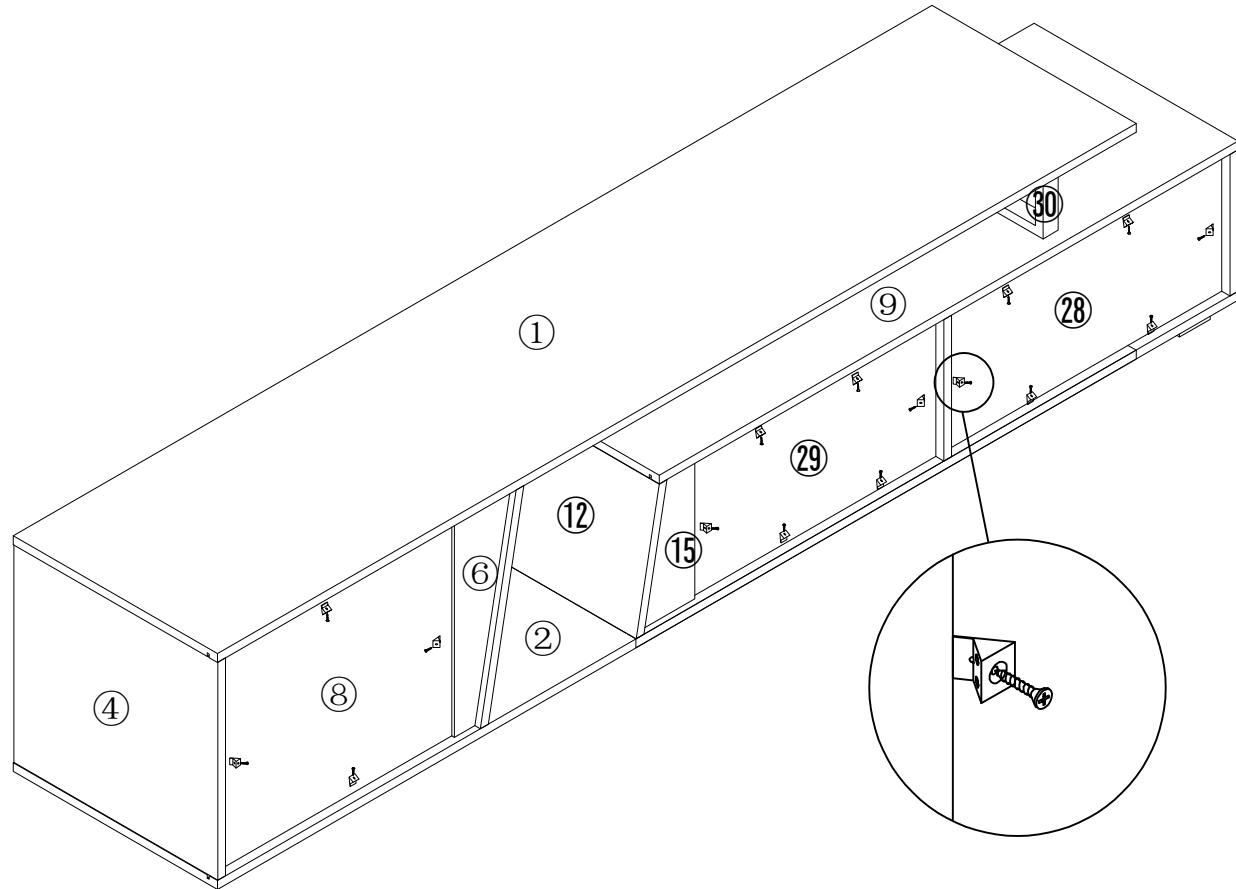
19


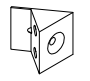
P.14









G	3*12	L
		
16PCS	16PCS	

22

P.17

