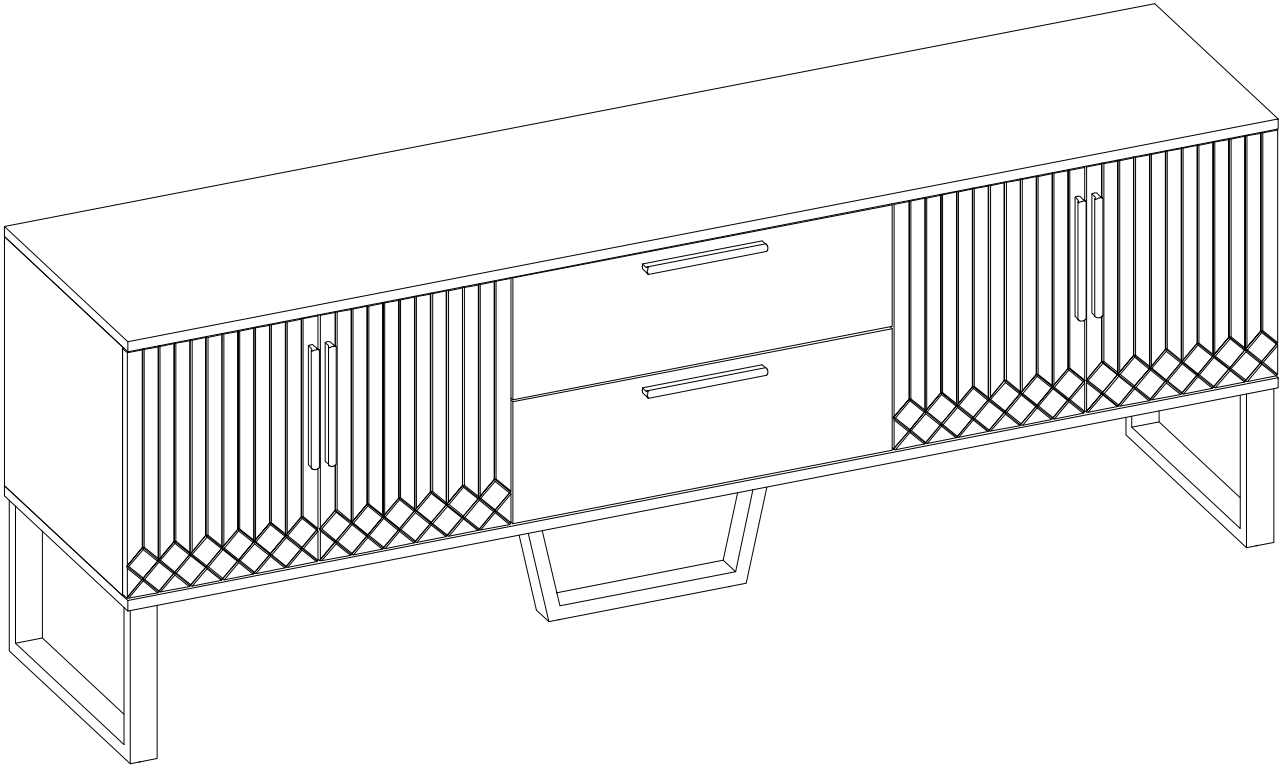
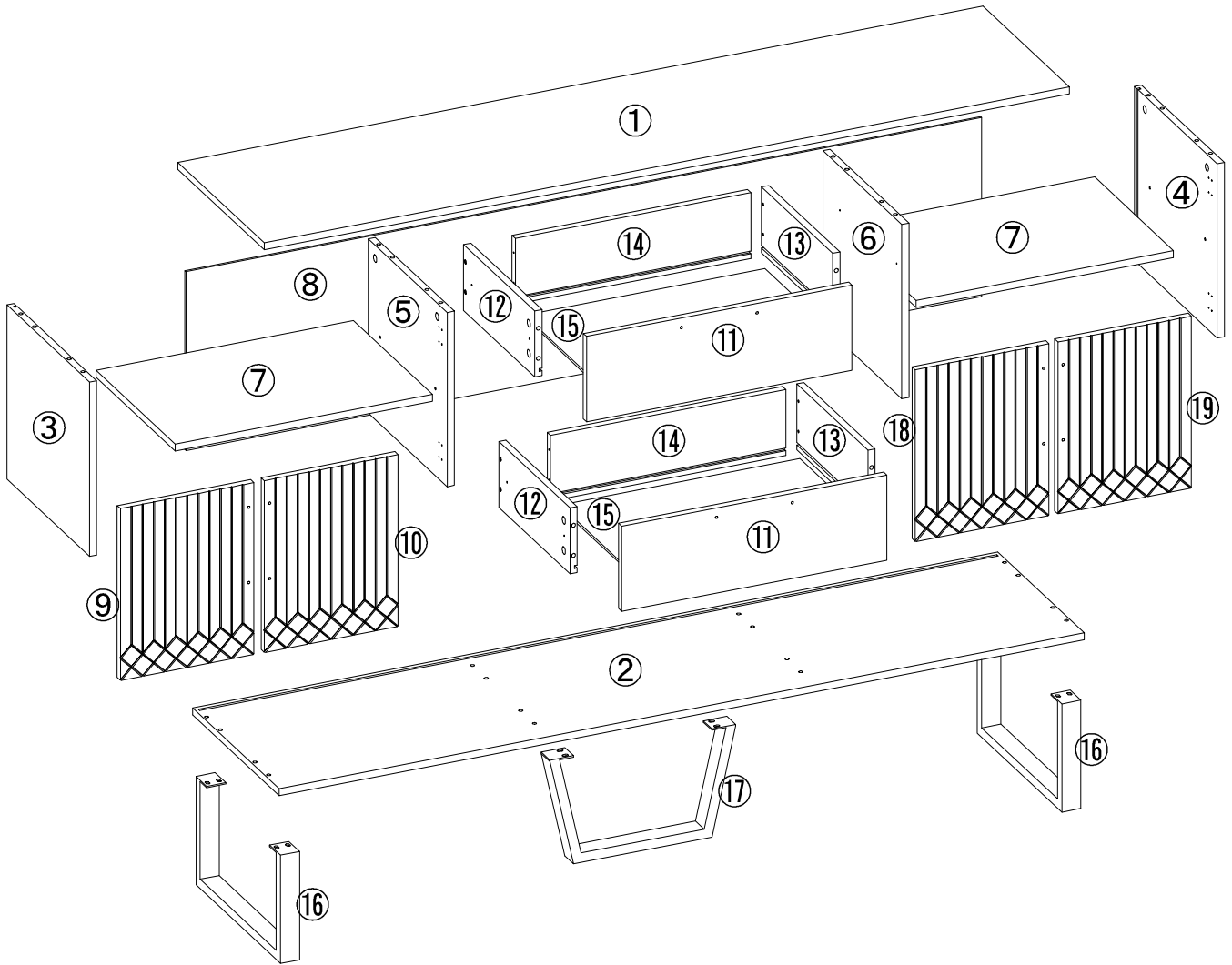
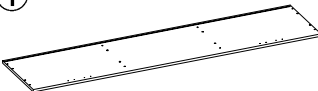

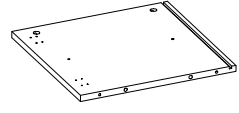
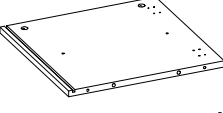
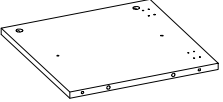
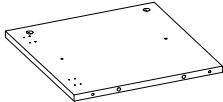
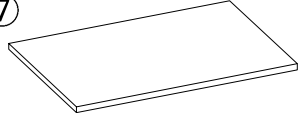
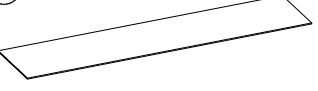
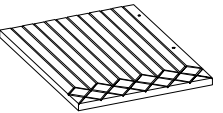
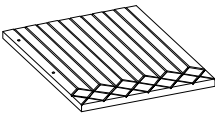
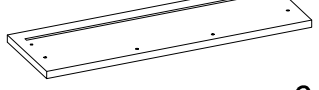


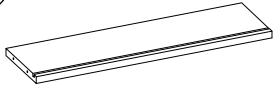
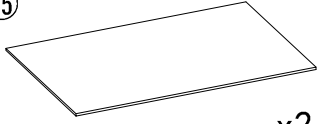
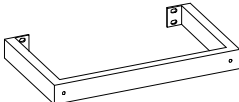
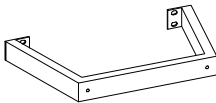


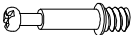
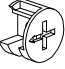



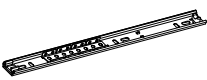


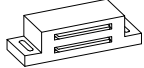

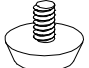



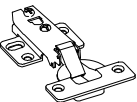
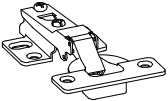


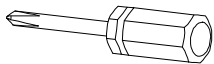


WF309201

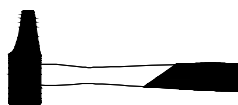




①  x1	②  x1	③  x1	④  x1
⑤  x1	⑥  x1	⑦  x2	⑧  x1
⑨  x1	⑩  x1	⑪  x2	⑫  x2
⑬  x2	⑭  x2	⑮  x2	⑯  x2
⑰  x1	⑱  x1	⑲  x1	A  6x35mm x16
B  ∅15x12mm x16	C  ∅8x30mm x16	D  6x40mm x8	E  M6x12mm x12
F  340mm x4	G  340mm x4	H  M3.5x14mm x88	I  x4
J  x4	K  x6	L  x6	M  M4x20mm x12
N  ∅5x15mm x8	O  x4	P  x4	Q  M4x35mm x8
R  M4 x1			



philis head screwdrier
rewuired of assembly
(not include)

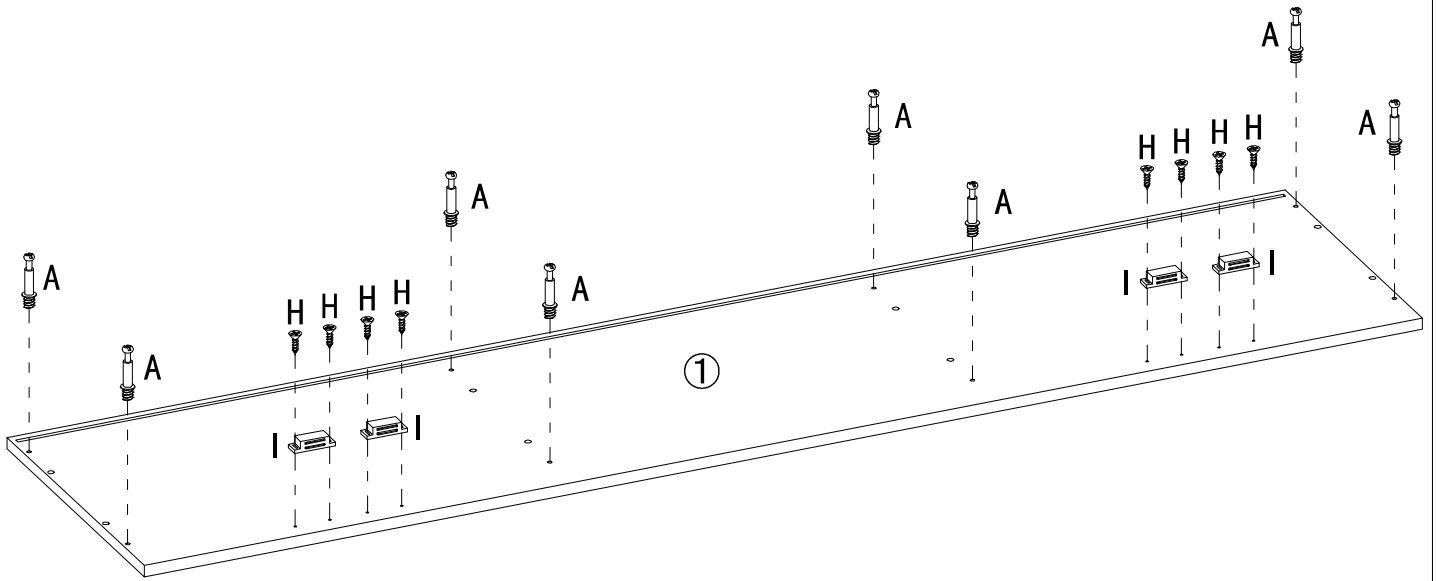


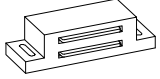
hammer
(not include)



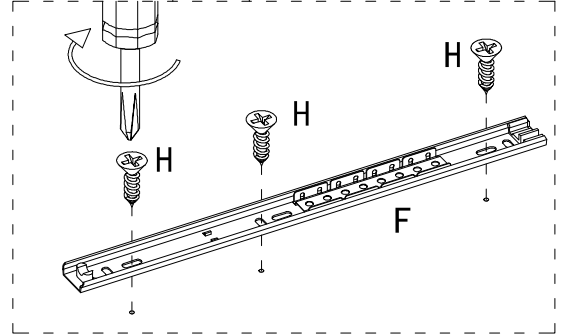
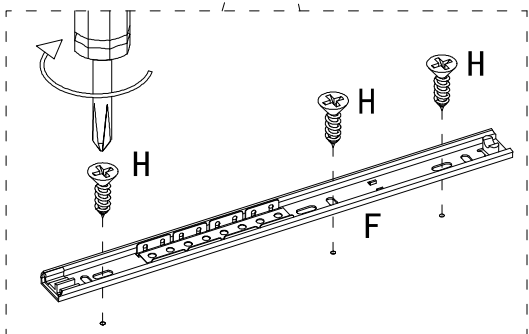
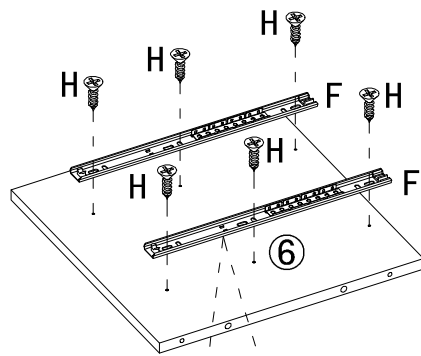
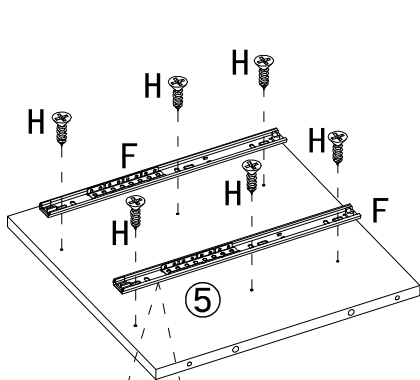
electric drill
(not include)

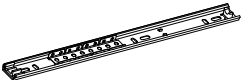

STEP 1



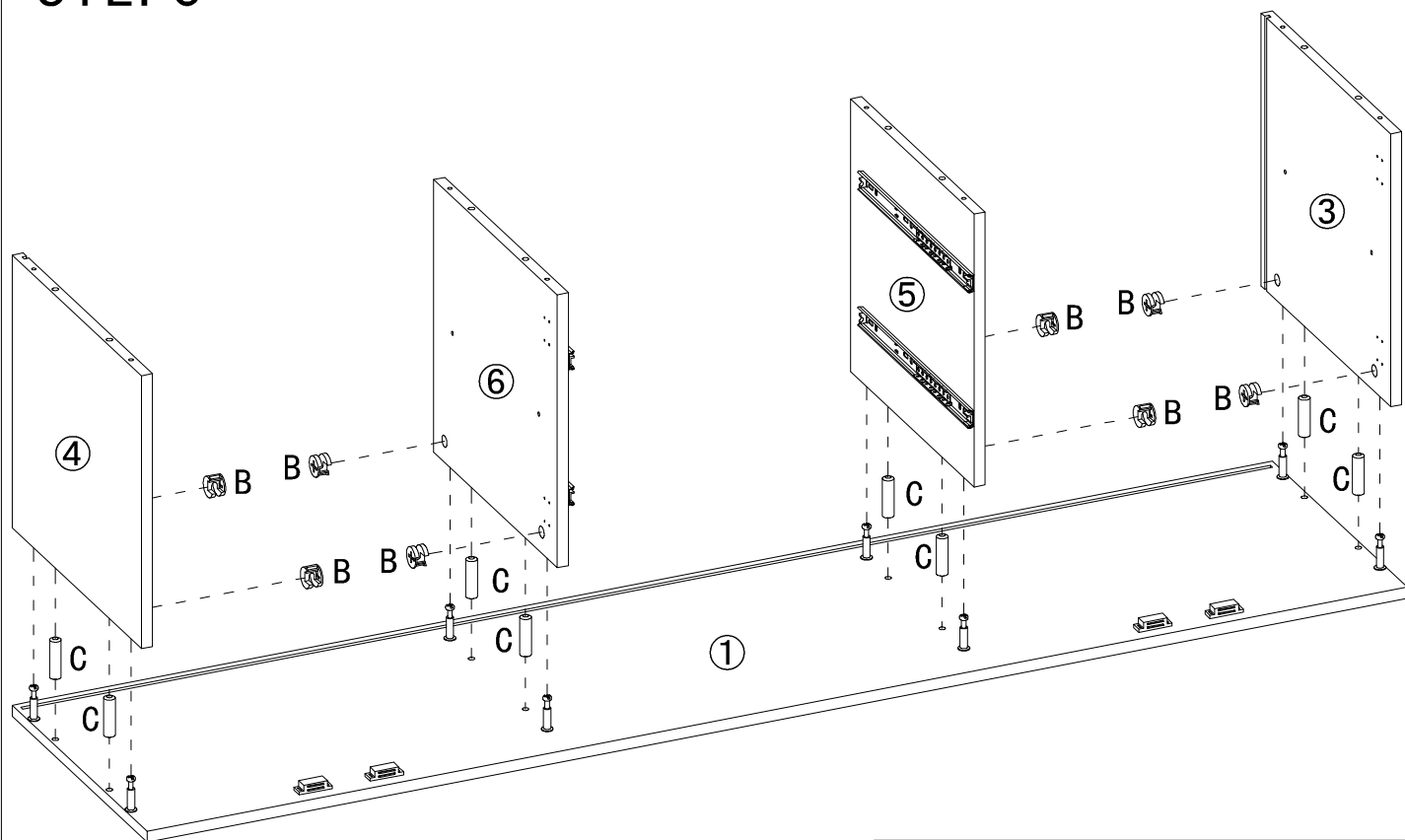
<p>A</p>  <p>6x35mm x8</p>	<p>H</p>  <p>M3. 5x14mm x8</p>	<p>I</p>  <p>x4</p>
--	--	---

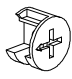

STEP 2



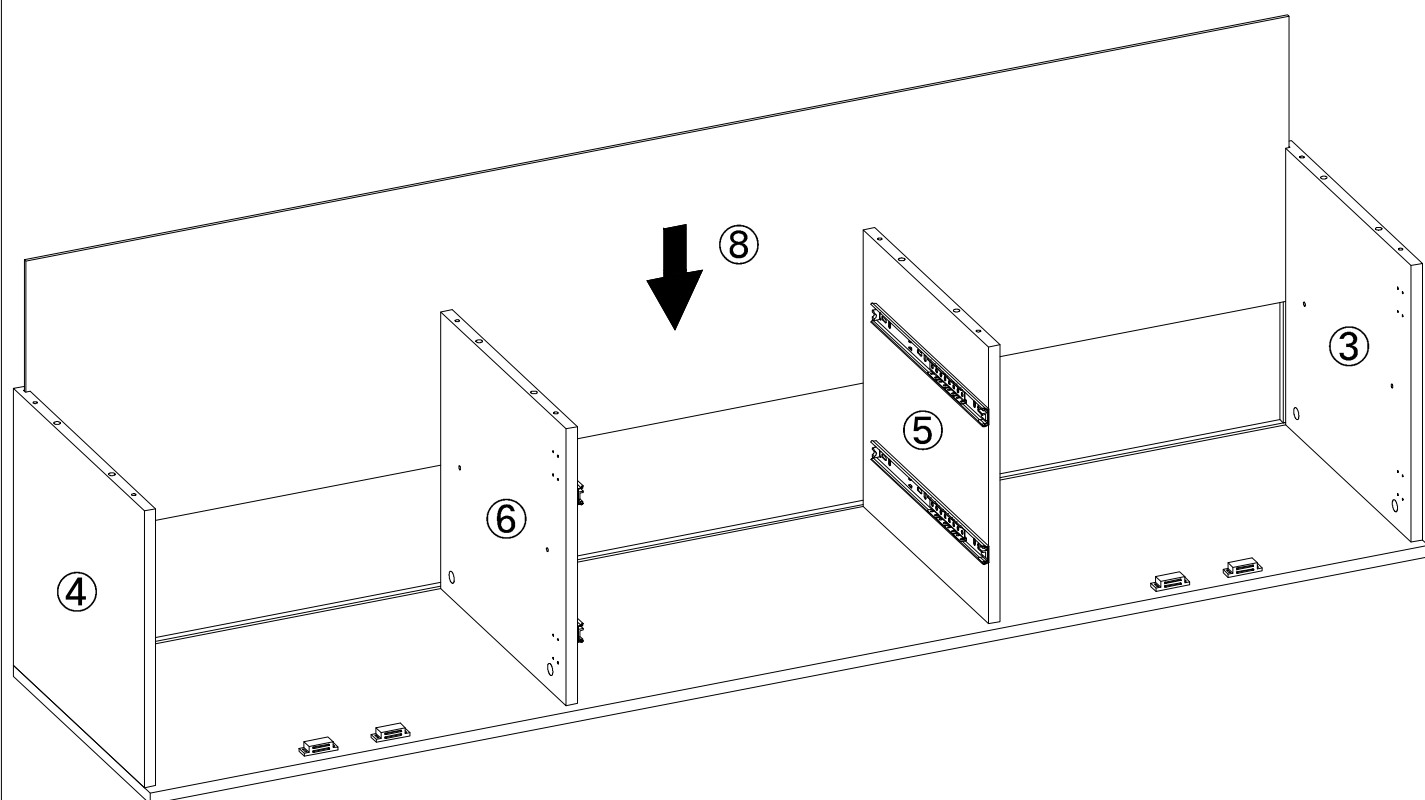
<p>F</p>  <p>340mm x4</p>	<p>H</p>  <p>M3. 5x14mm x12</p>
---	---

STEP 3

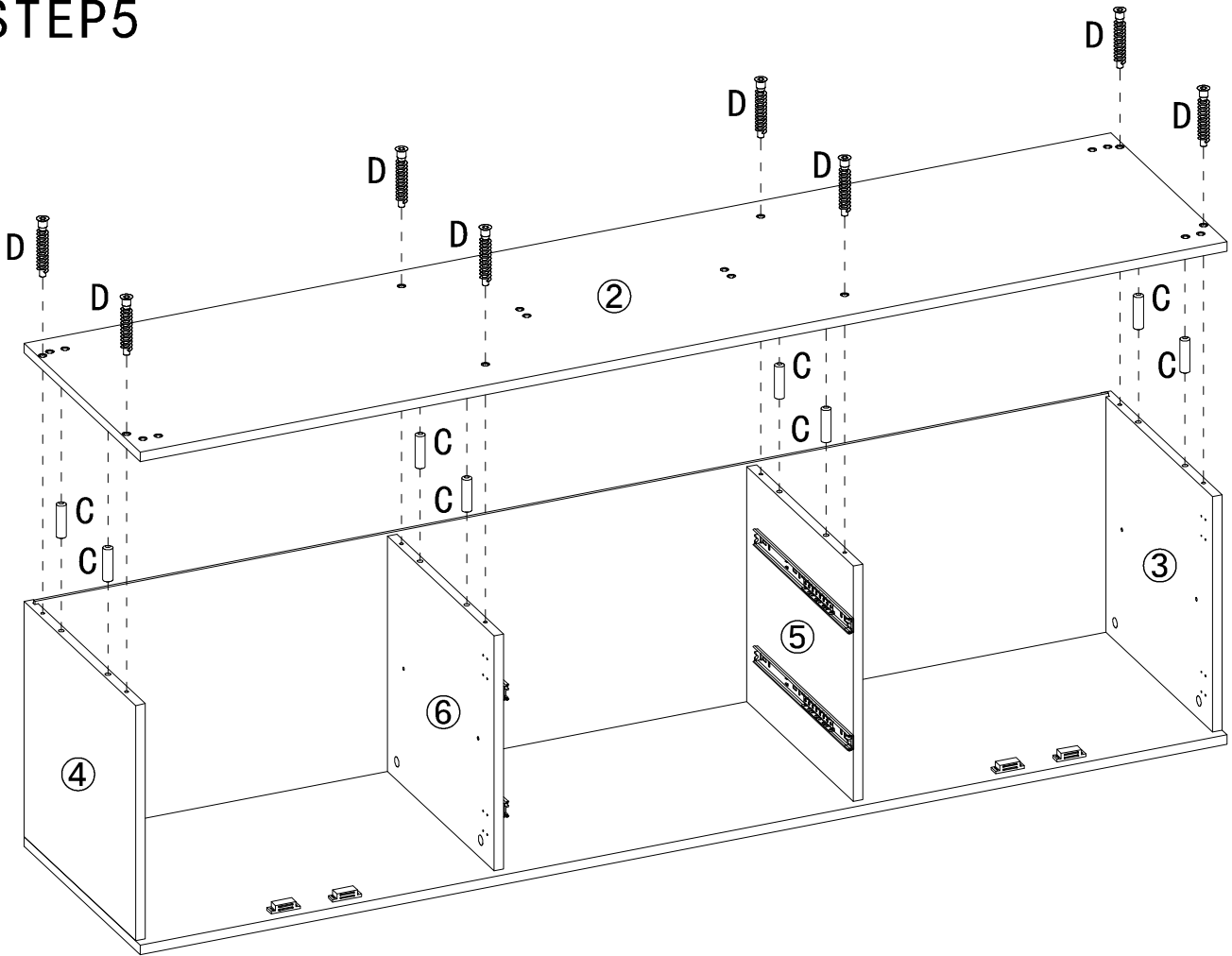



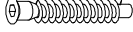

B		C	
	$\phi 15 \times 12 \text{mm}$		$\phi 8 \times 30 \text{mm}$
	x8		x8

STEP 4

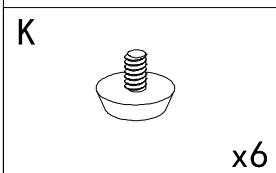
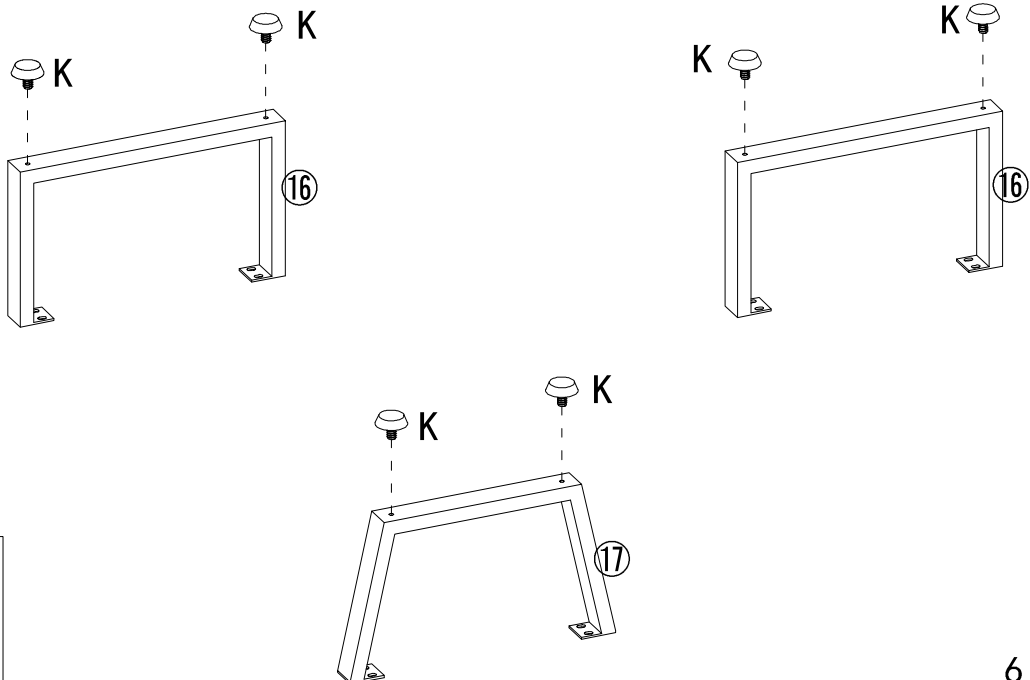


STEP 5

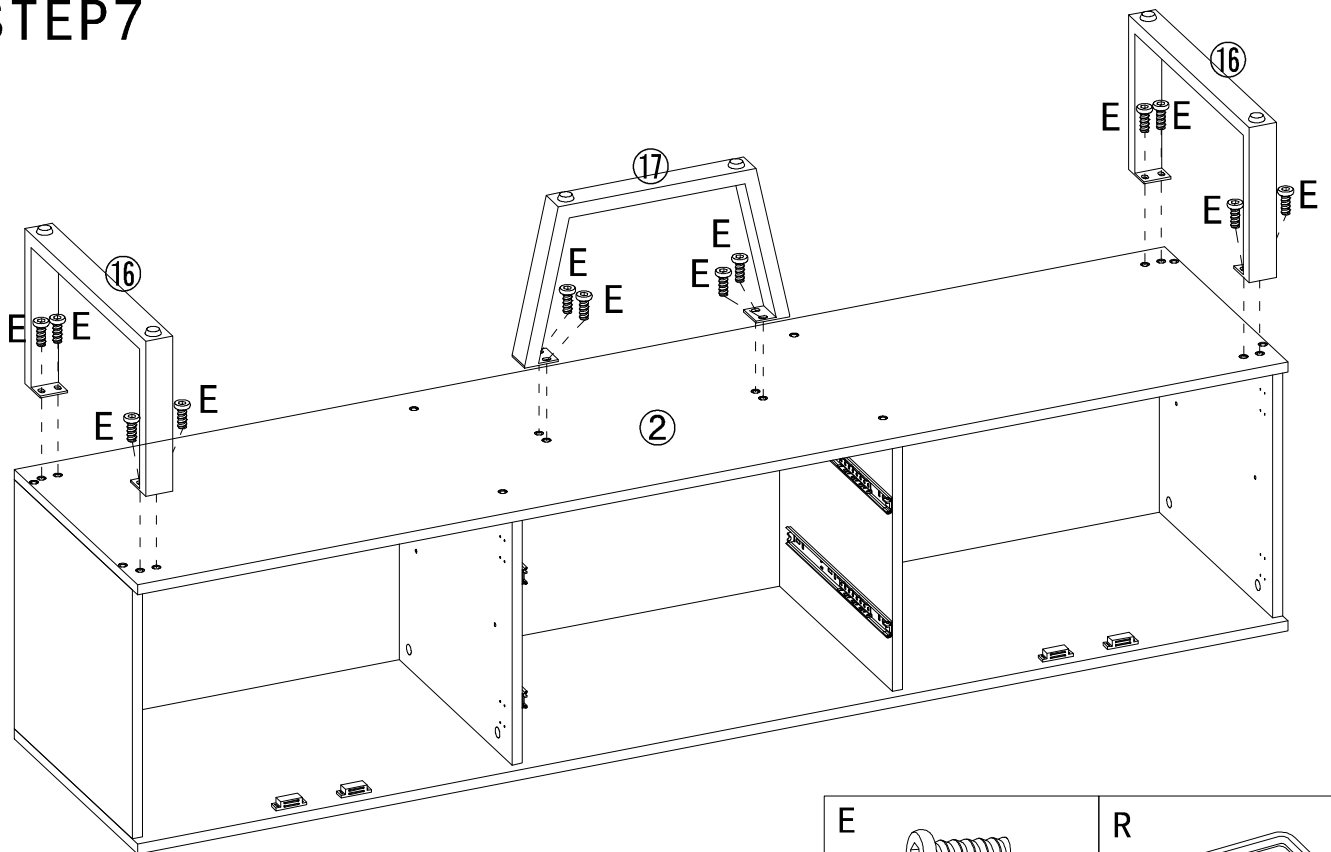




<p>C</p>  <p>∅8x30mm x8</p>	<p>D</p>  <p>6x40mm x8</p>	<p>R</p>  <p>M4 x1</p>
---	--	--

STEP 6

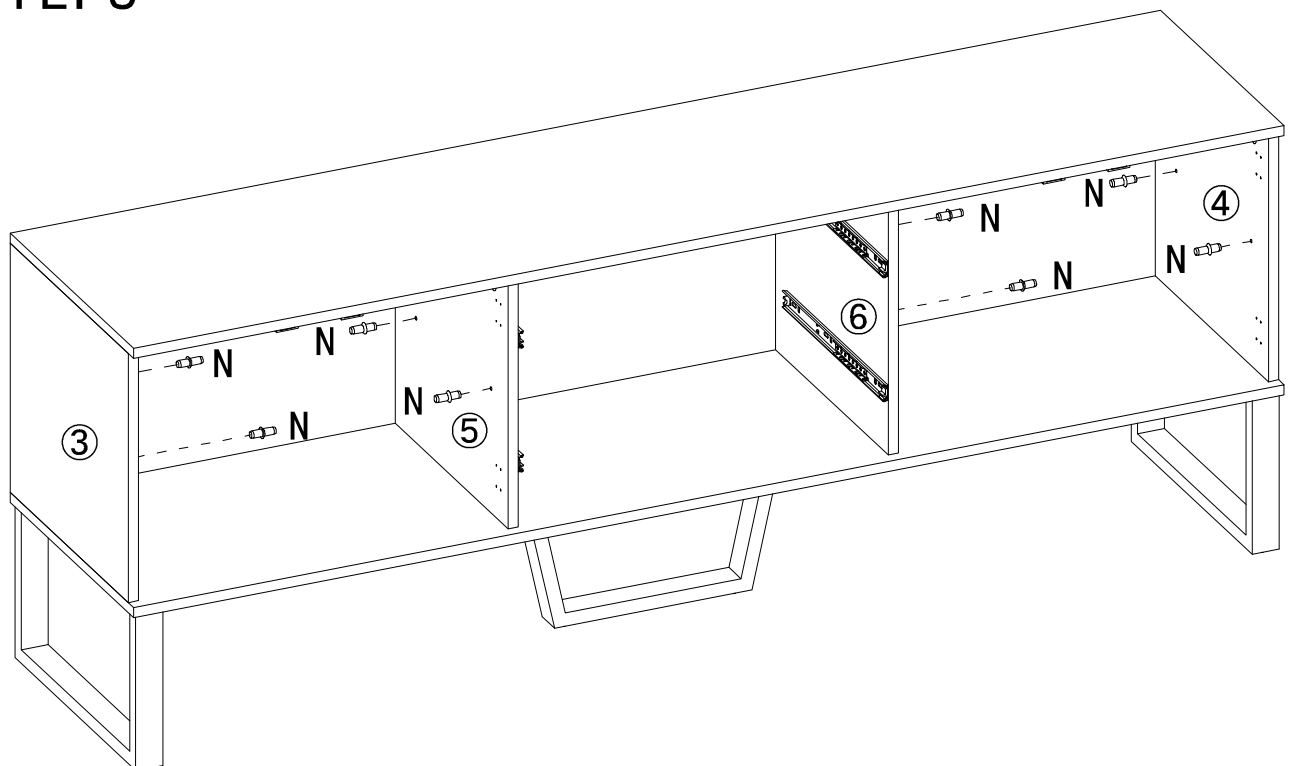


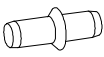
STEP 7



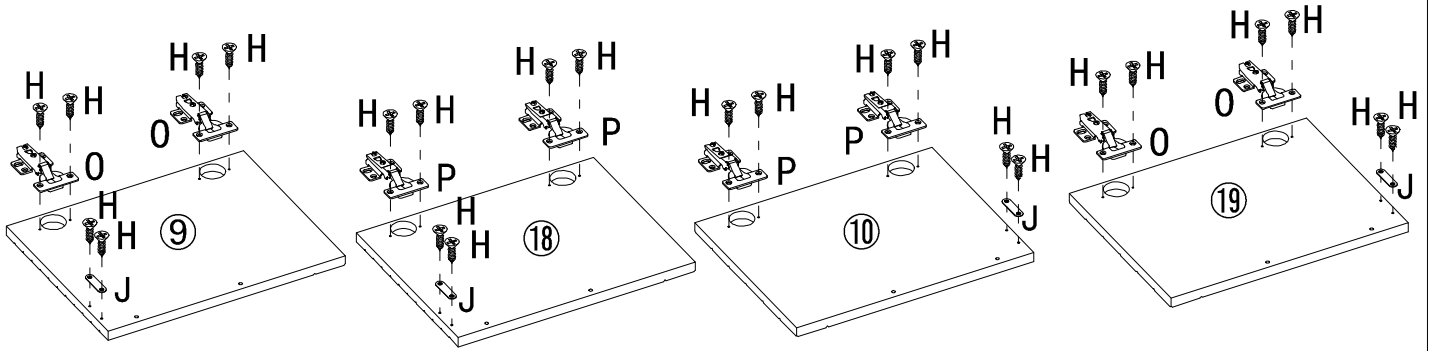
E		R	
	M6x12mm		M4
	x12		x1



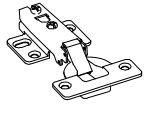
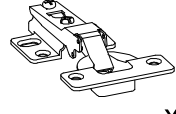
STEP 8



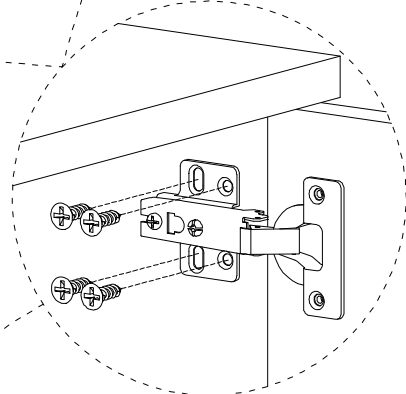
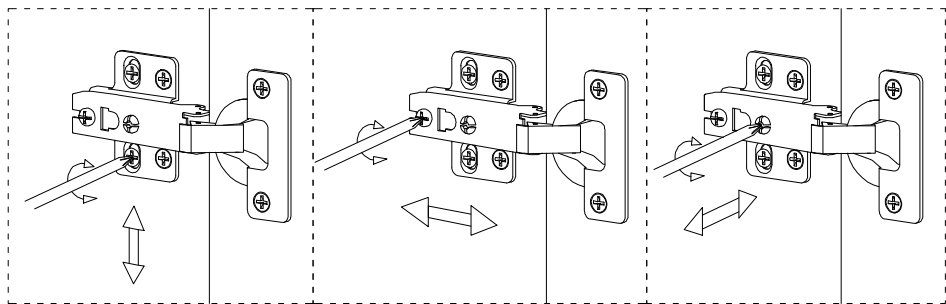
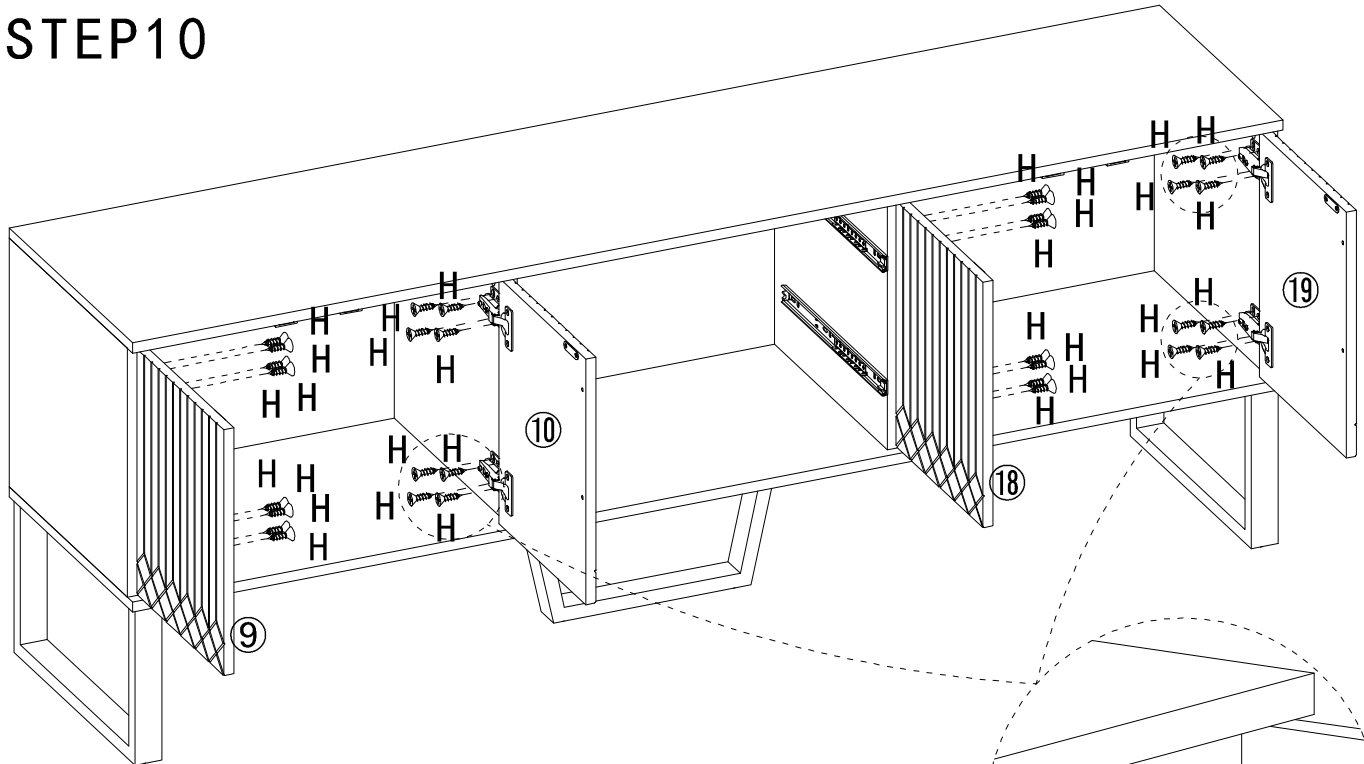
N	
	∅5x15mm
	x8


STEP 9



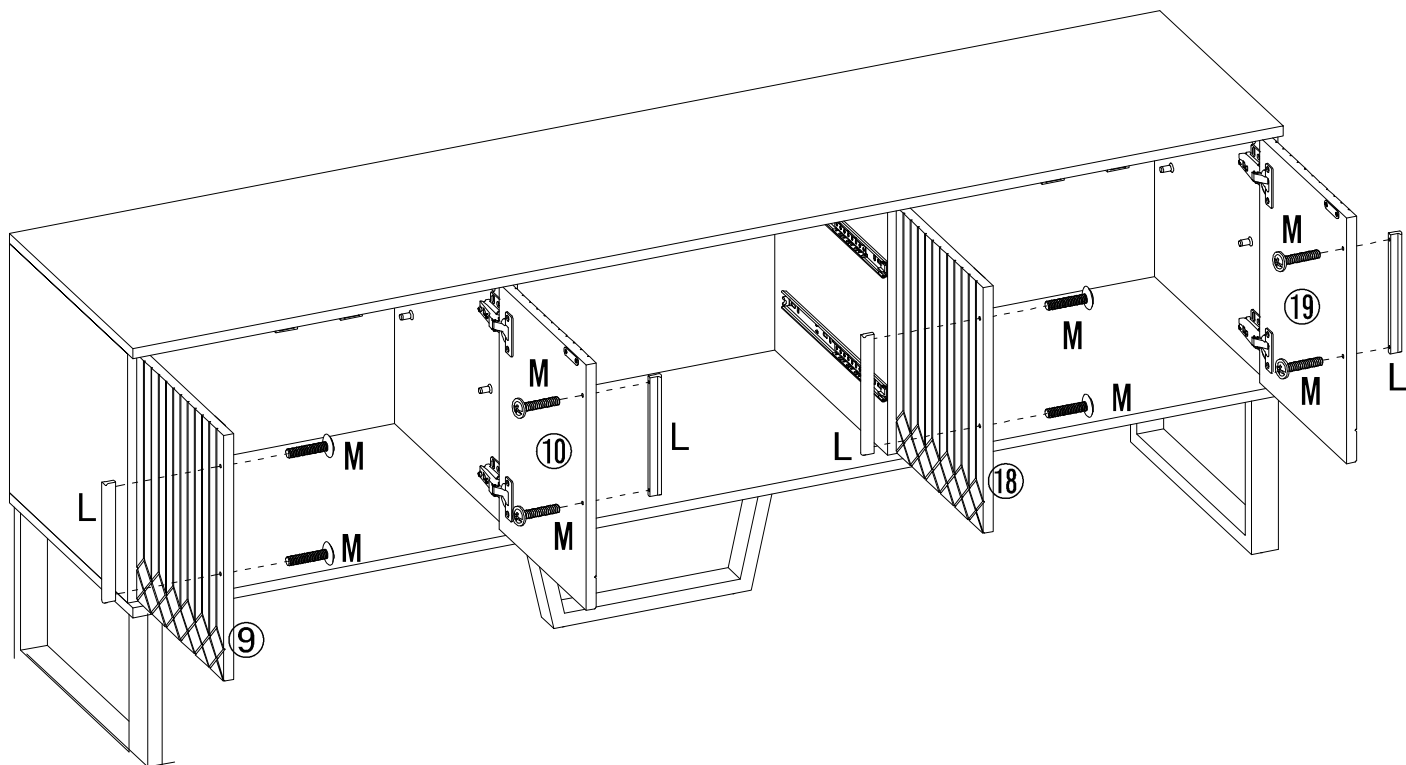
<p>H</p>  <p>M3. 5x14mm x24</p>	<p>J</p>  <p>x4</p>	<p>O</p>  <p>x4</p>	<p>P</p>  <p>x4</p>
--	--	--	--

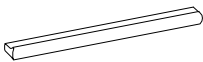

STEP 10



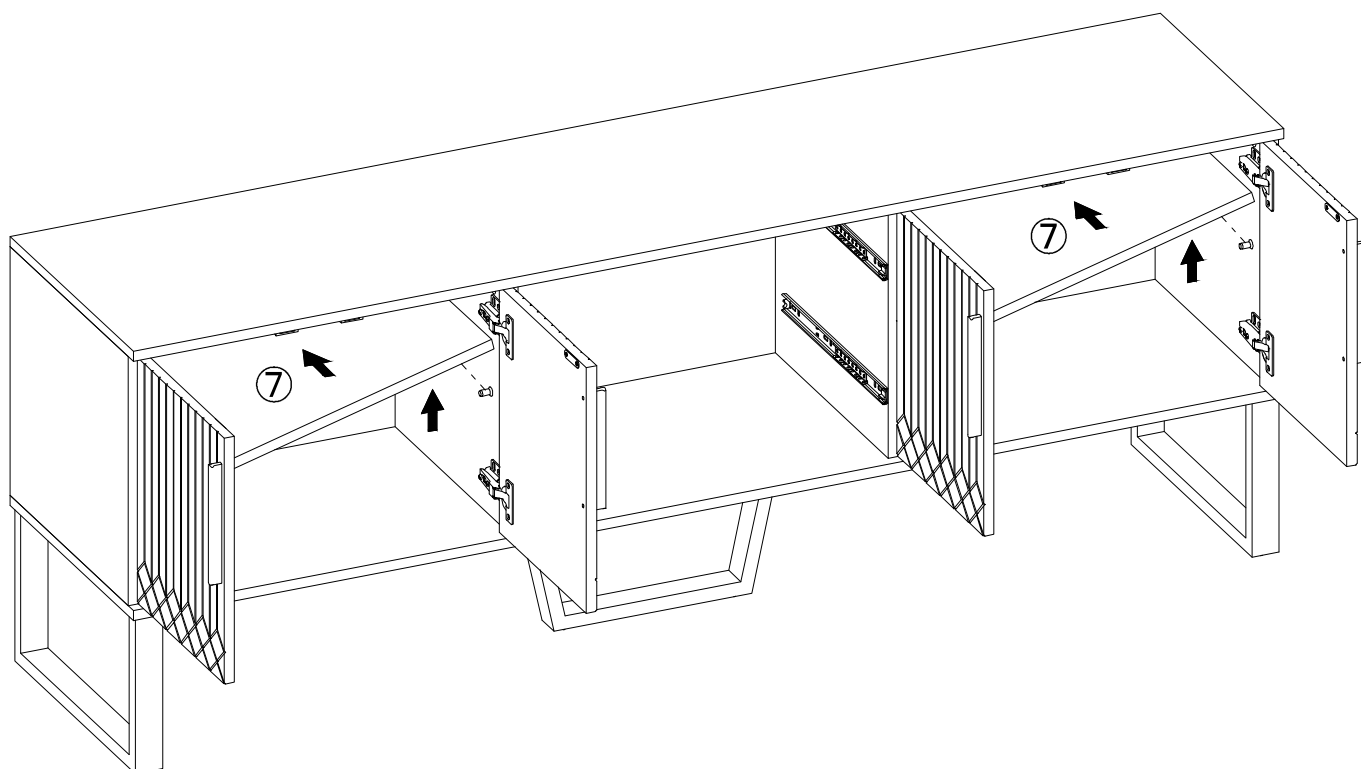
<p>H</p>  <p>M3. 5x14mm x32</p>
--

STEP 11

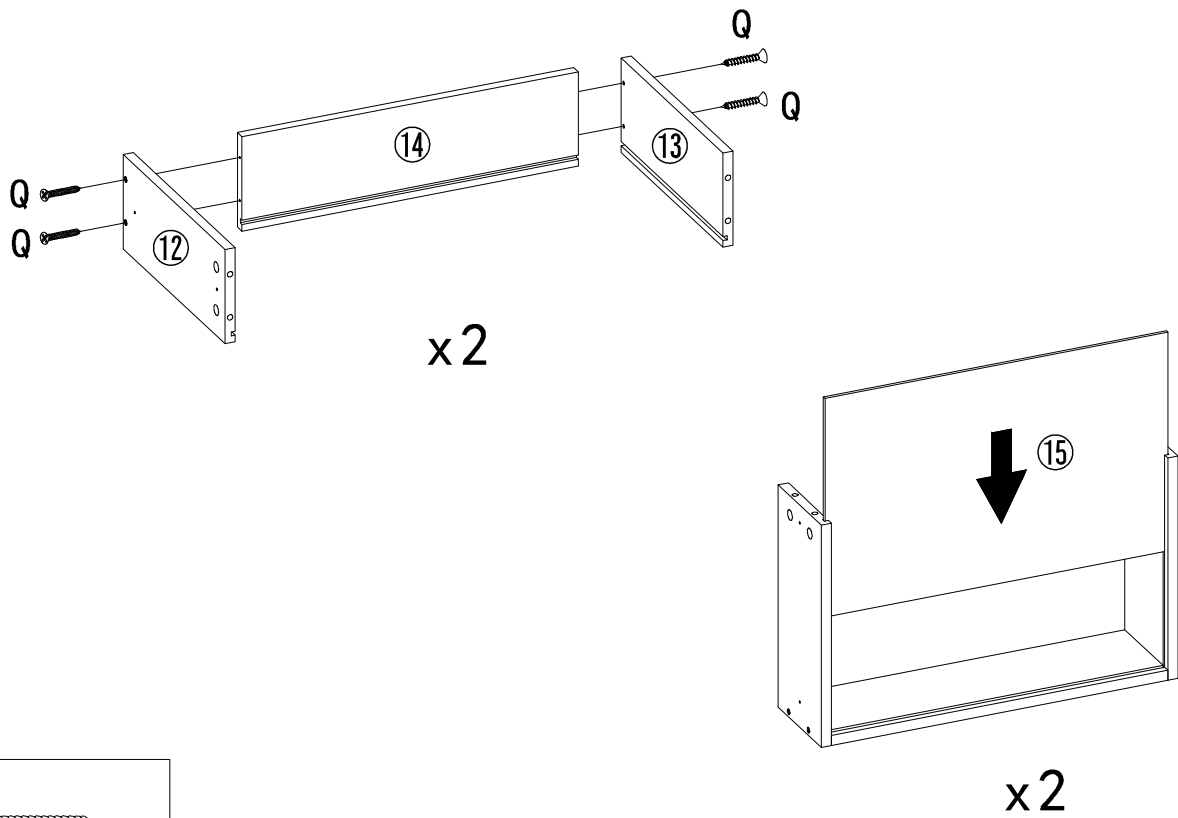


L	M
	
x4	M4x20mm x8

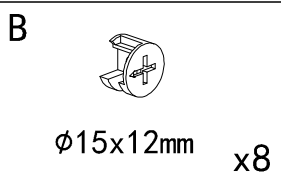
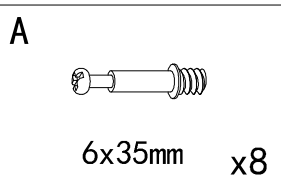
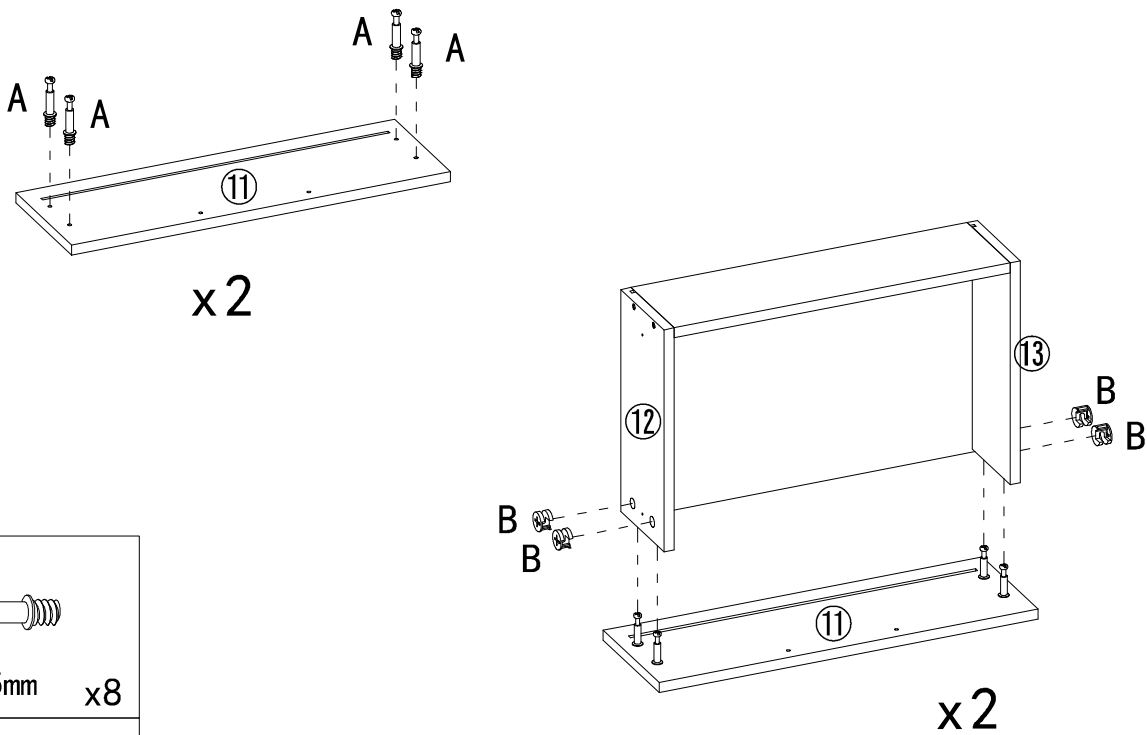
STEP 12



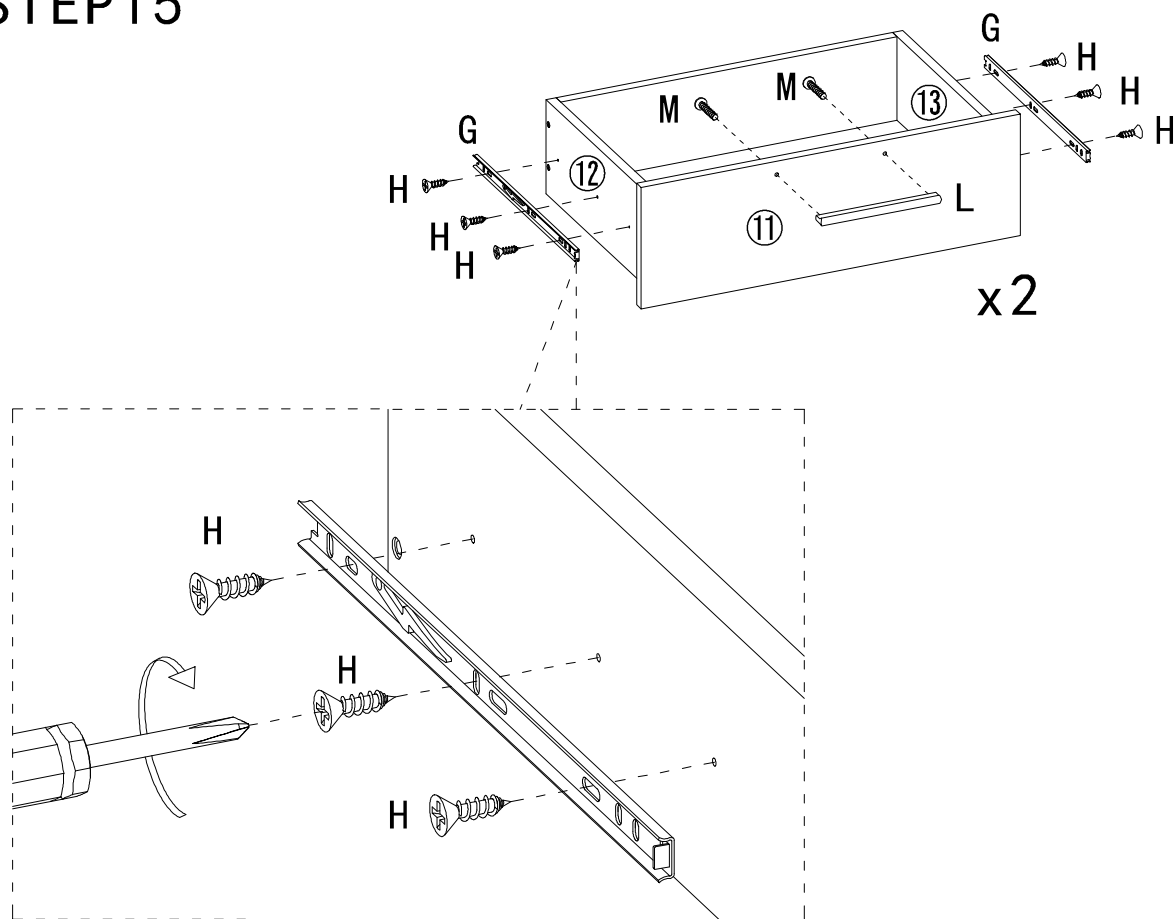
STEP 13

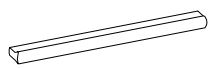





STEP 14



STEP 15



<p>L</p>  <p>x2</p>	<p>M</p>  <p>M4x20mm x4</p>	<p>G</p>  <p>340mm x4</p>	<p>H</p>  <p>M3.5x14mm x12</p>
---	---	---	--

STEP 16

