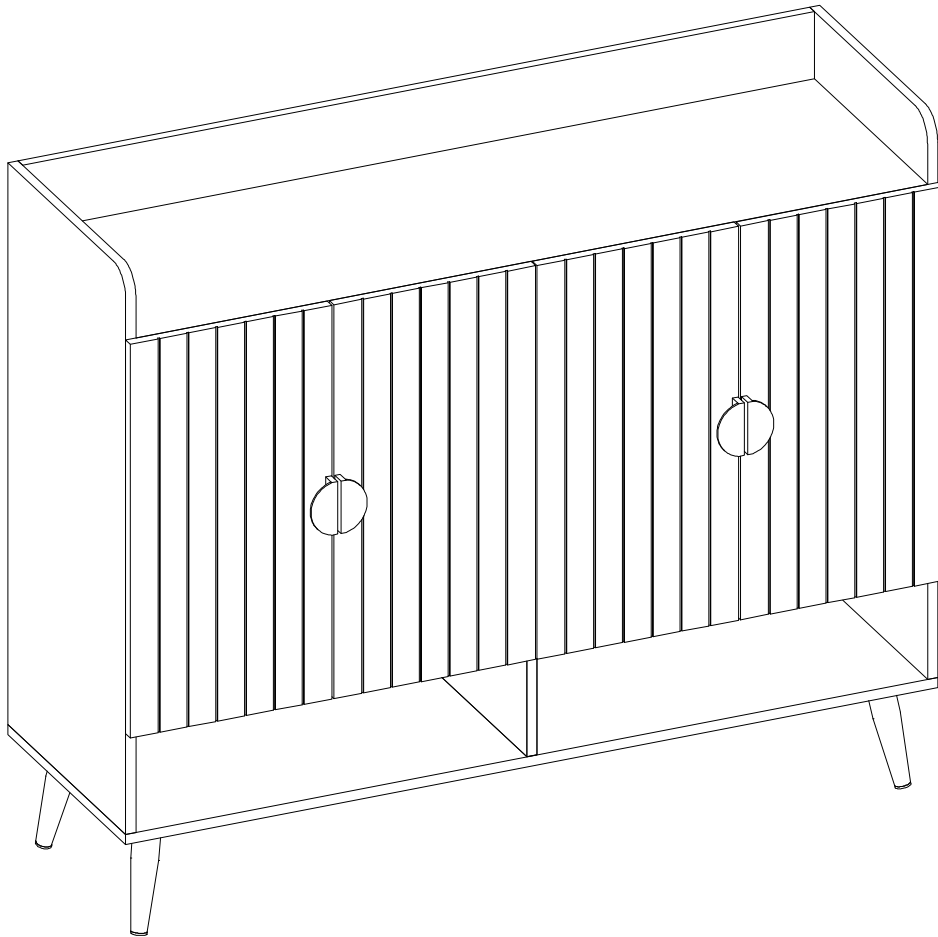
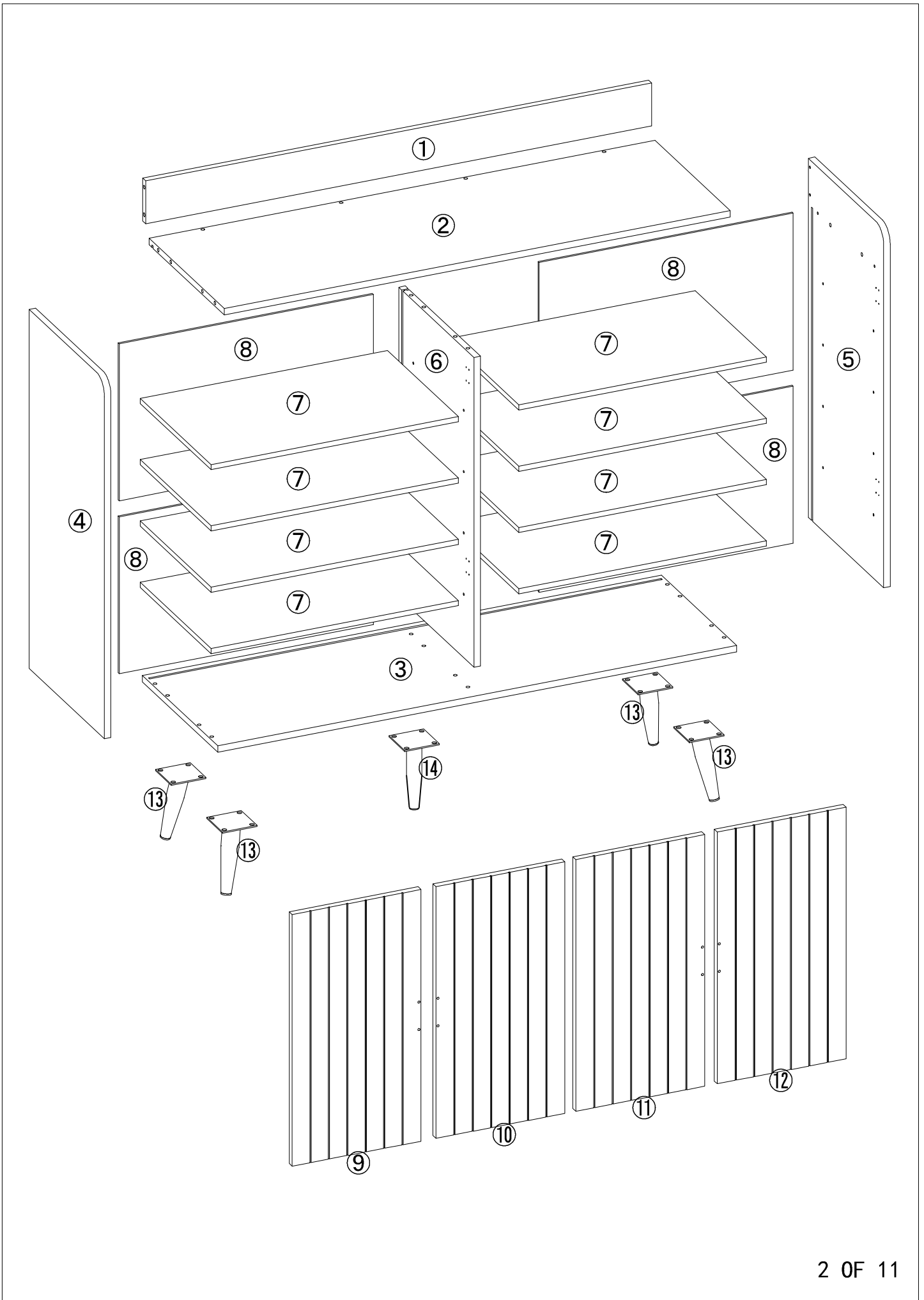

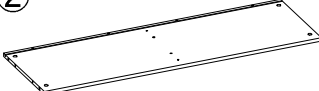
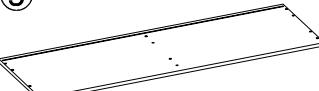
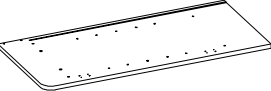
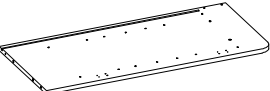
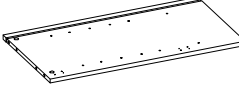
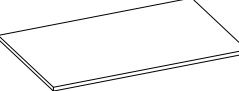







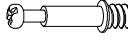

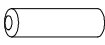


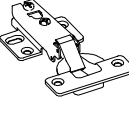
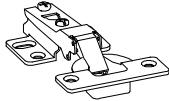









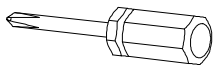


WF309200





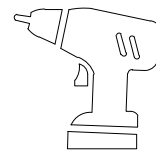
①  x1	②  x1	③  x1	④  x1
⑤  x1	⑥  x1	⑦  x8	⑧  x4
⑨  x1	⑩  x1	⑪  x1	⑫  x1
⑬  x4	⑭  x1	A  6x35mm x10	B  φ15x12mm x10
C  φ8x30mm x12	D  6x40mm x10	E  M6x12mm x20	F  x4
G  x4	H  M3.5x14mm x48	I  φ5x15mm x32	J  x4
K  M4x20mm x8	L  x2	M  6x30mm x2	N  M4x35mm x2
O  M4x14mm x2	P  M4 x1		



philis head screwdrier
rewuired of assembly
(not include)

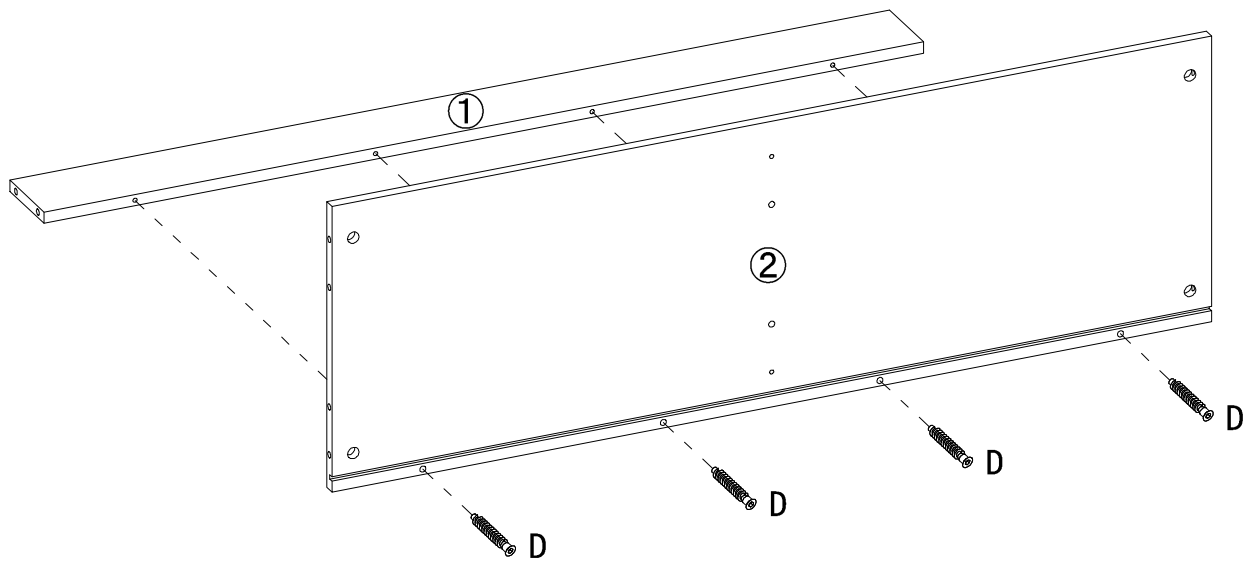




hammer
(not include)



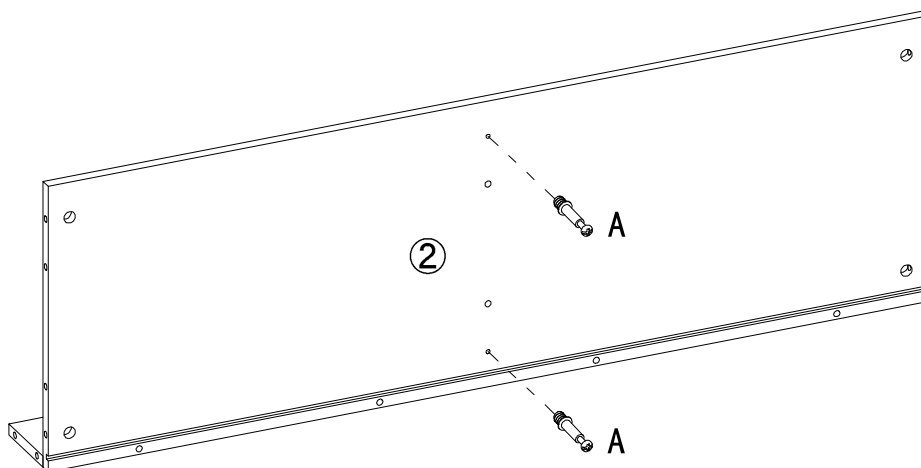
electric drill
(not include)


STEP 1



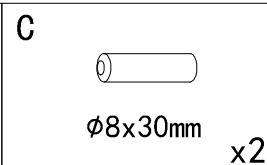
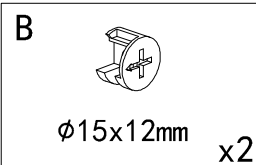
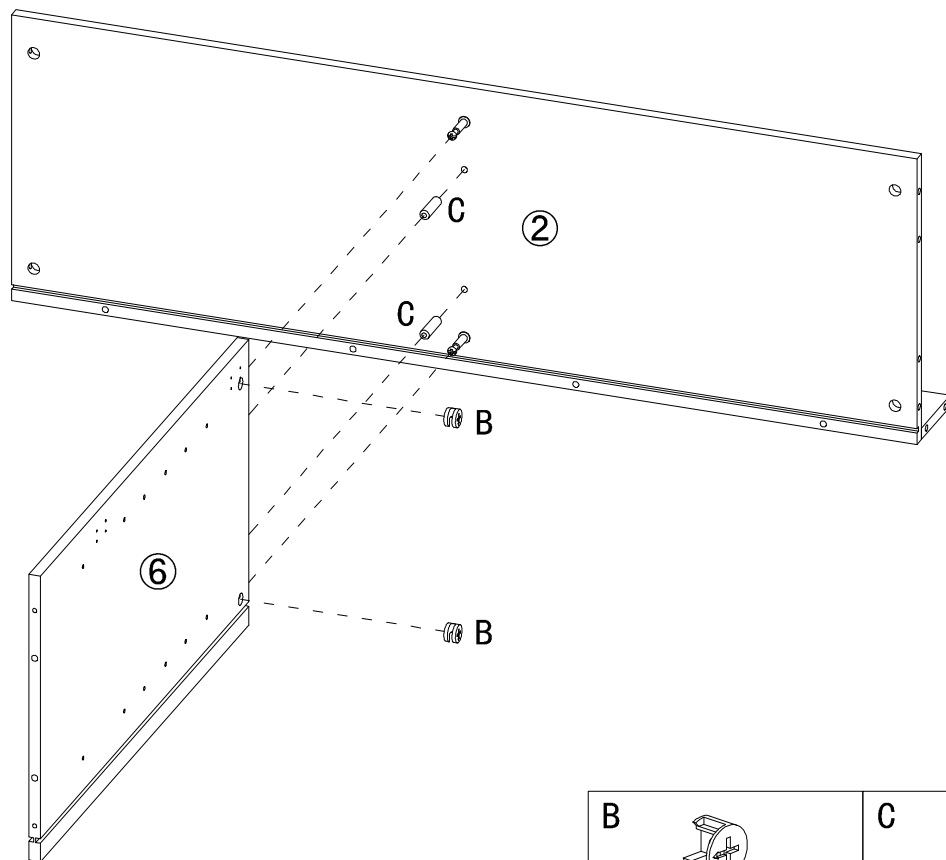
D		P	
	6x40mm x4		M4 x1

STEP 2

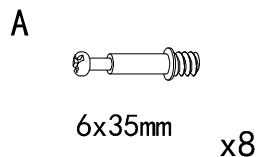
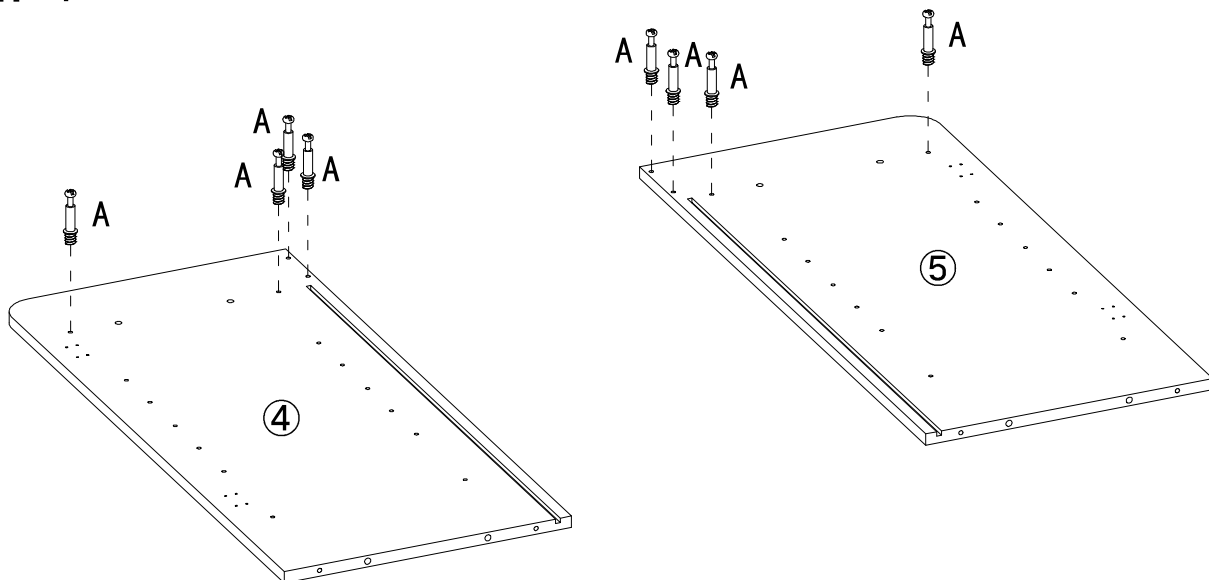


A	
	6x35mm x2

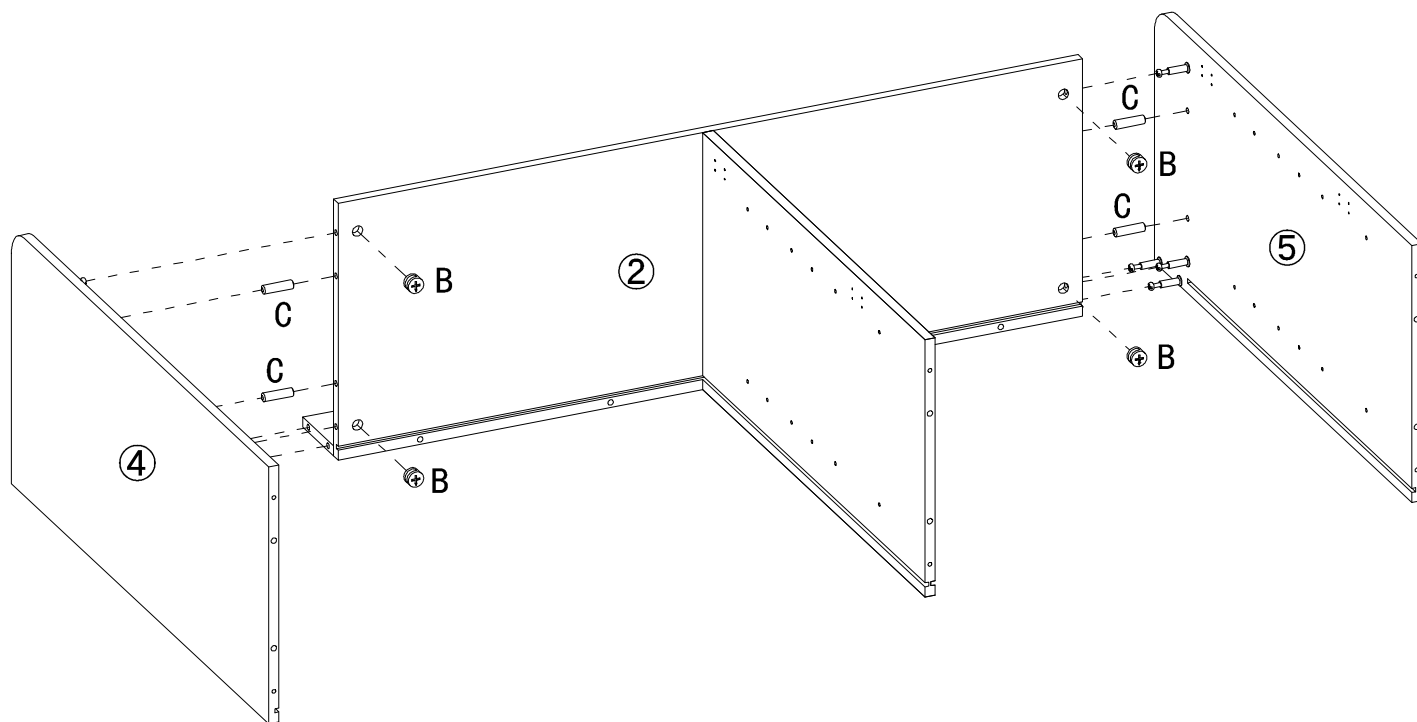
STEP3



STEP4



STEP5



B



Ø15x12mm

x4

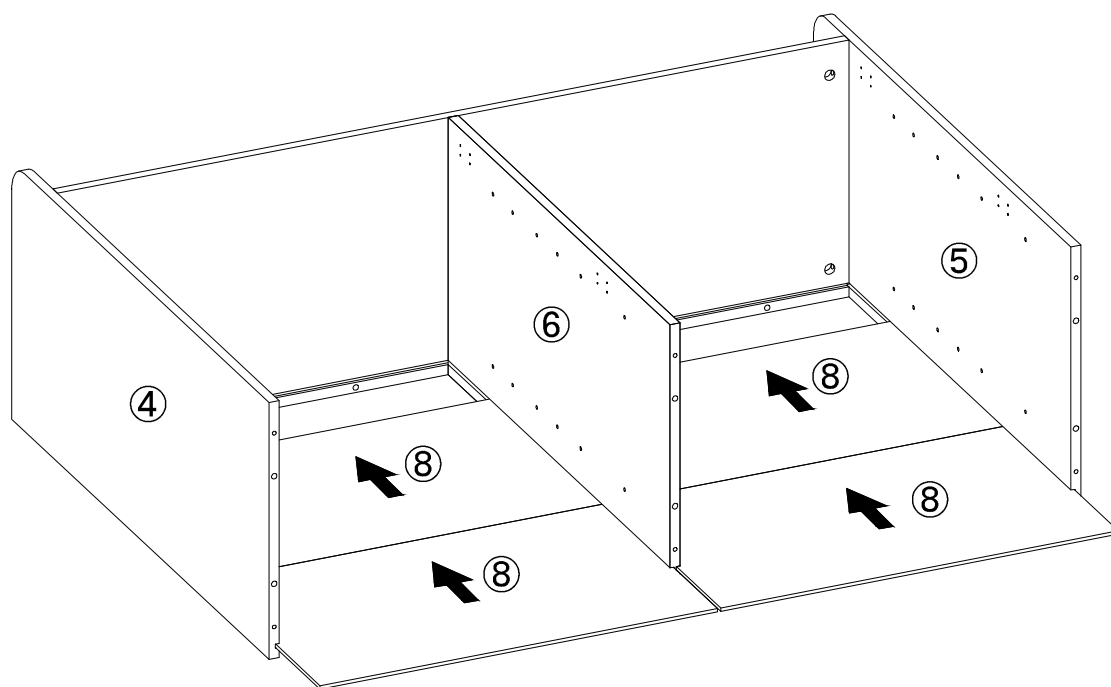
C



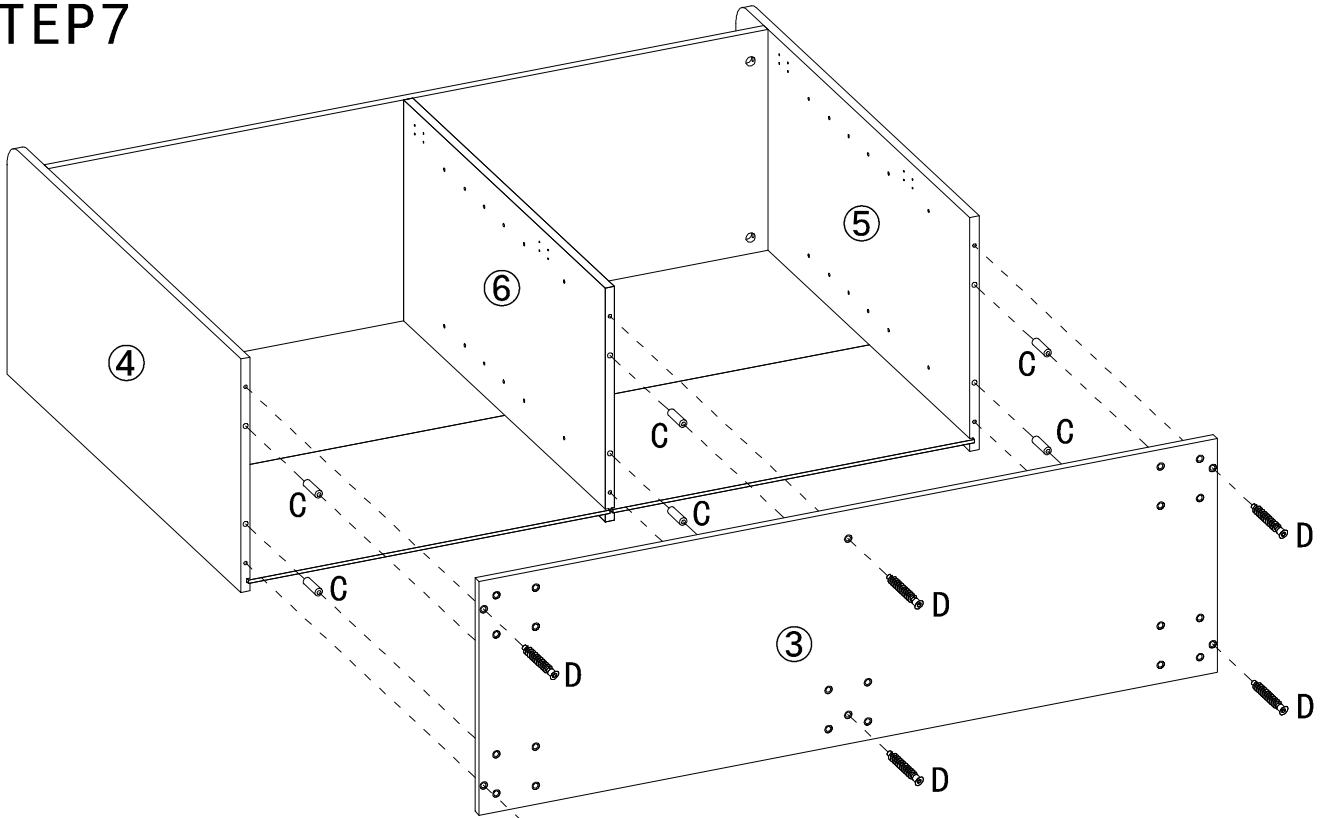
Ø8x30mm

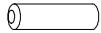
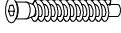

x4

STEP6

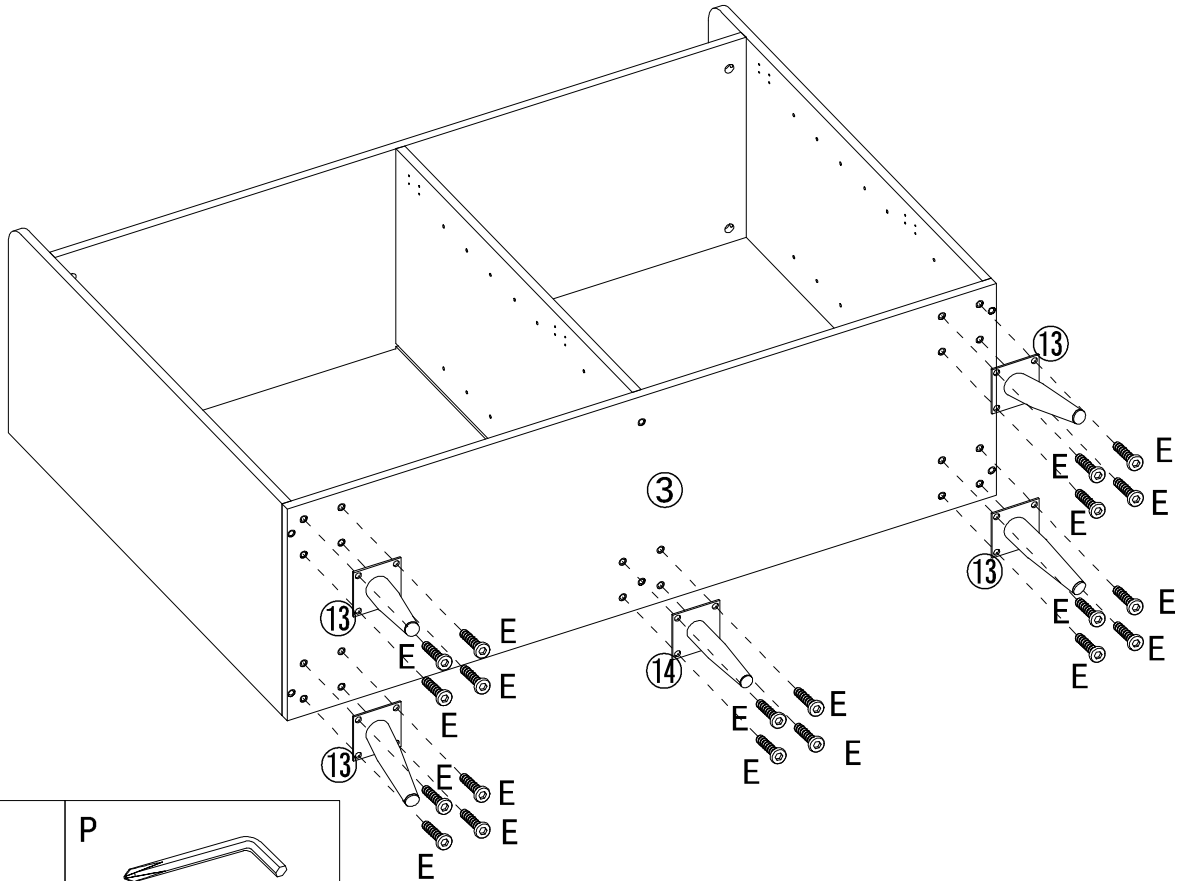




STEP 7



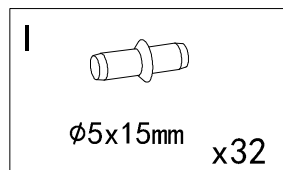
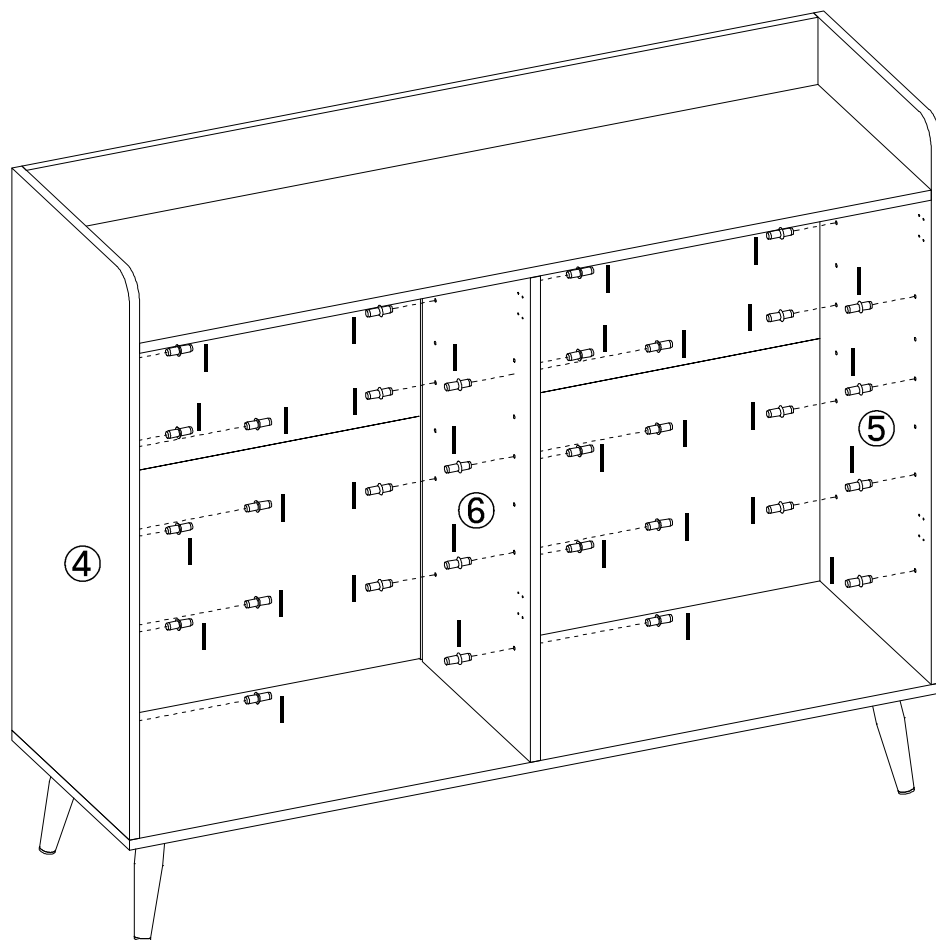
<p>C</p>  <p>ø8x30mm x6</p>	<p>D</p>  <p>6x40mm x6</p>	<p>P</p>  <p>M4 x1</p>
---	--	--

STEP 8

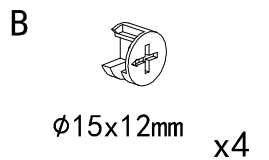
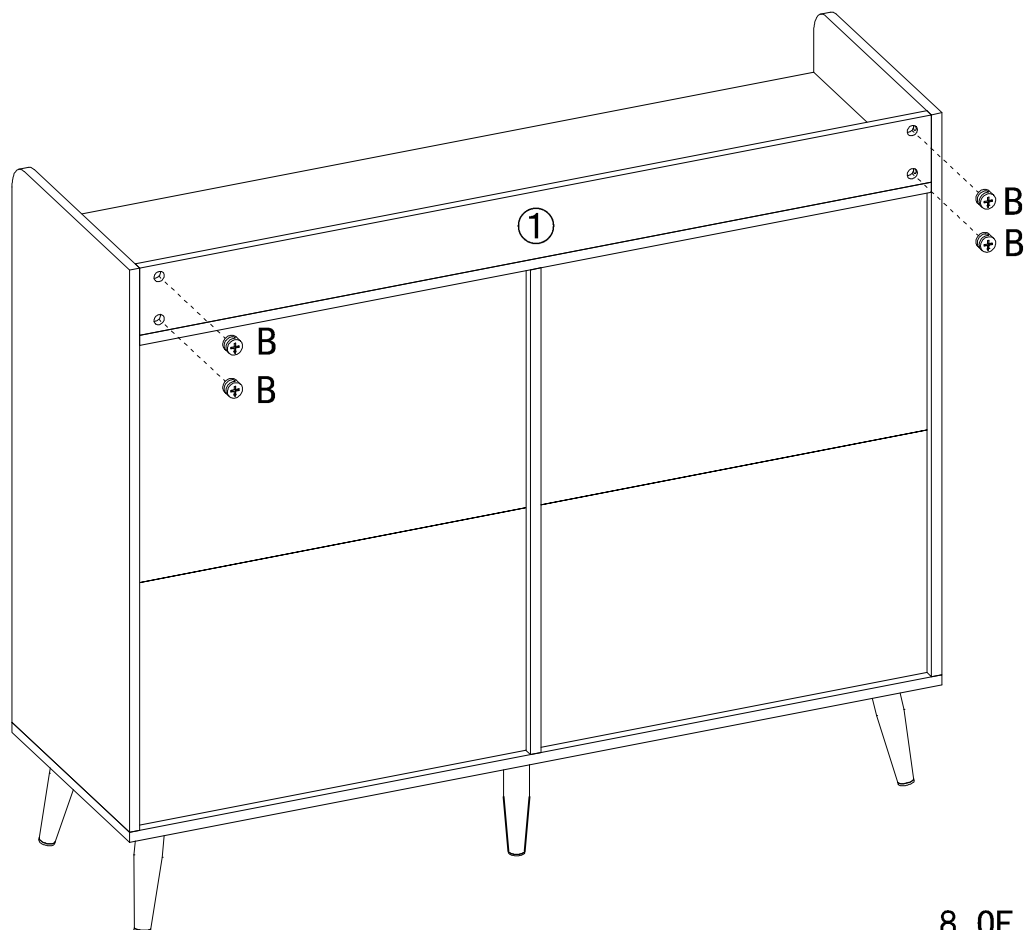


<p>E</p>  <p>M6x12mm x20</p>	<p>P</p>  <p>M4 x1</p>
--	--

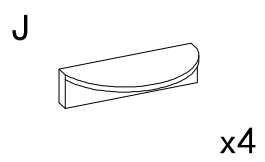
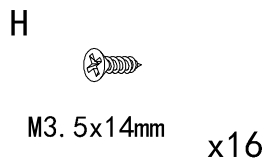
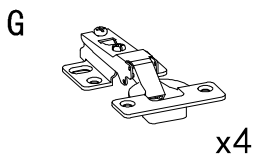
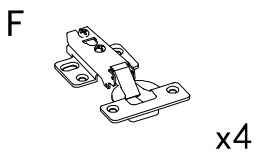
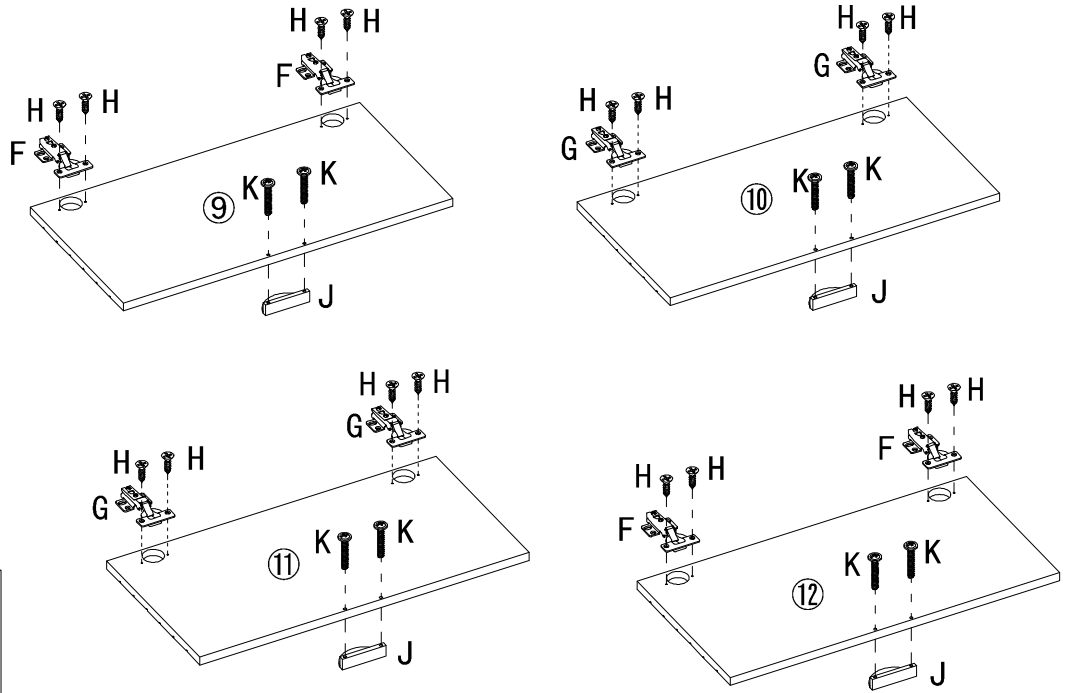
STEP 9



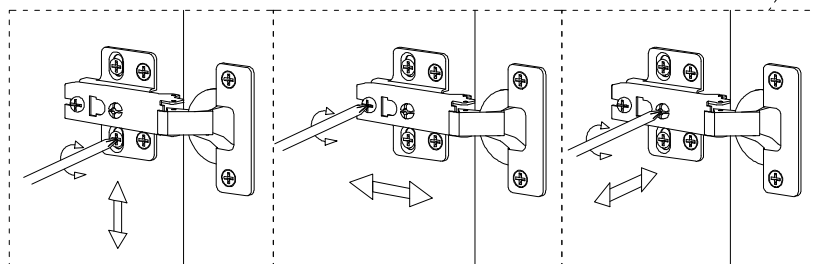
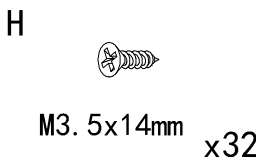
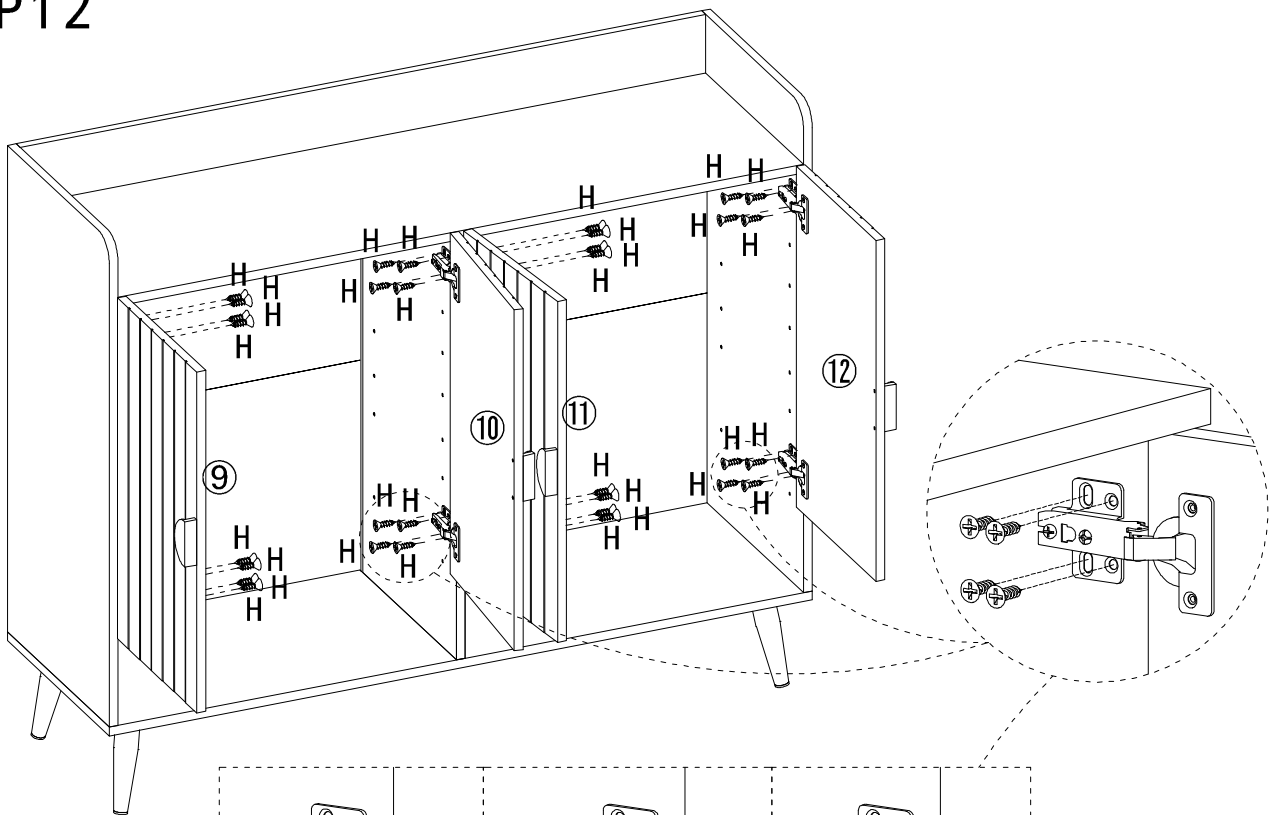
STEP 10



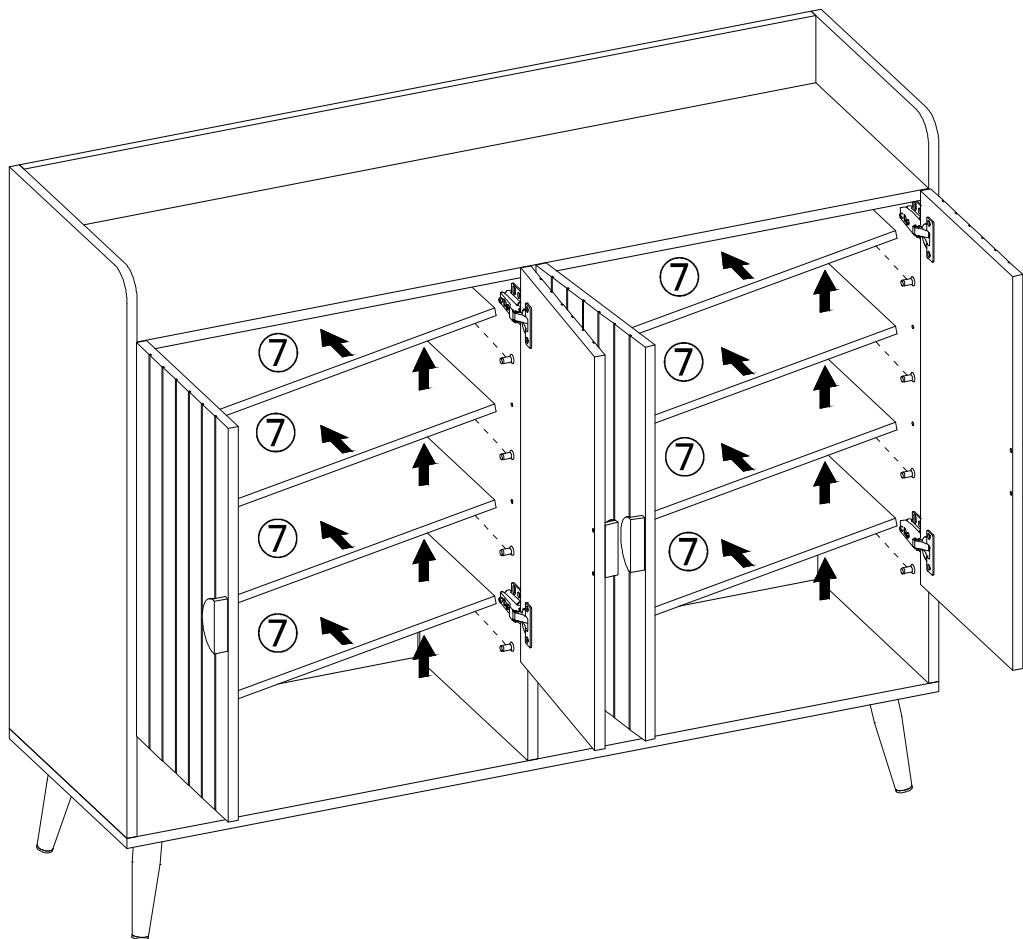
STEP 11



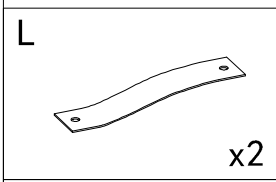
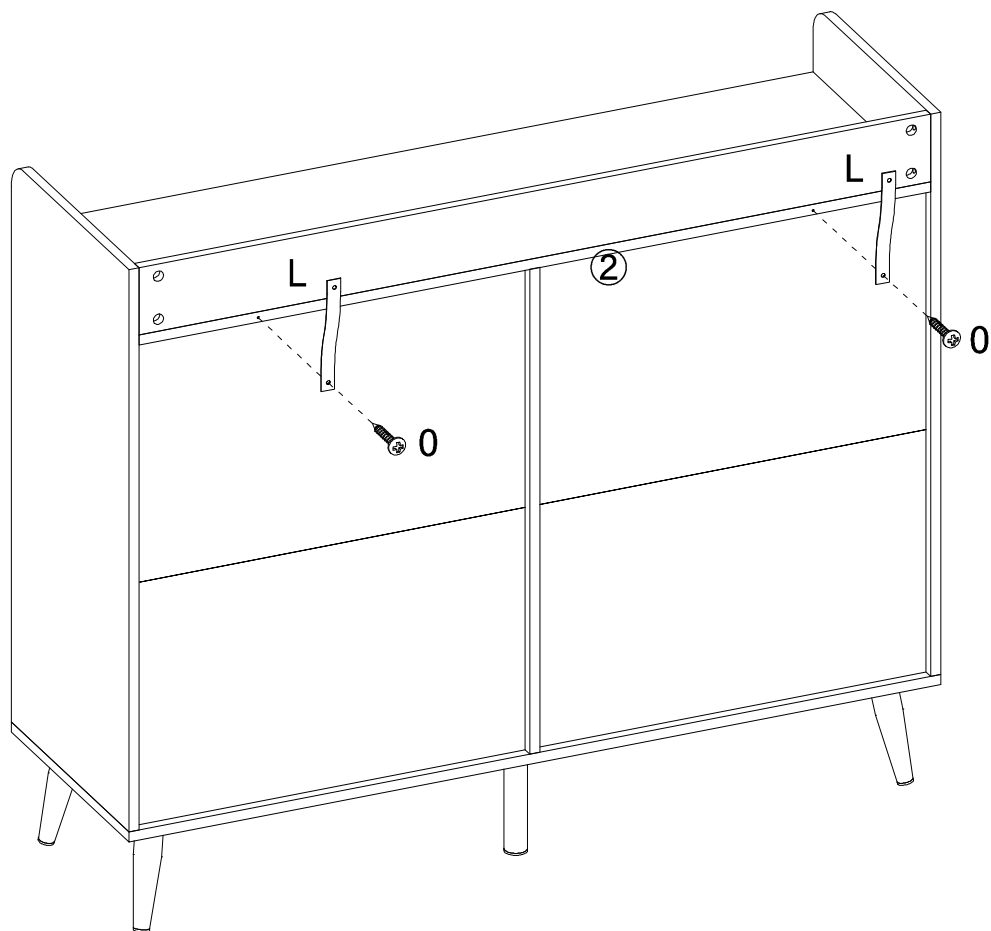
STEP 12



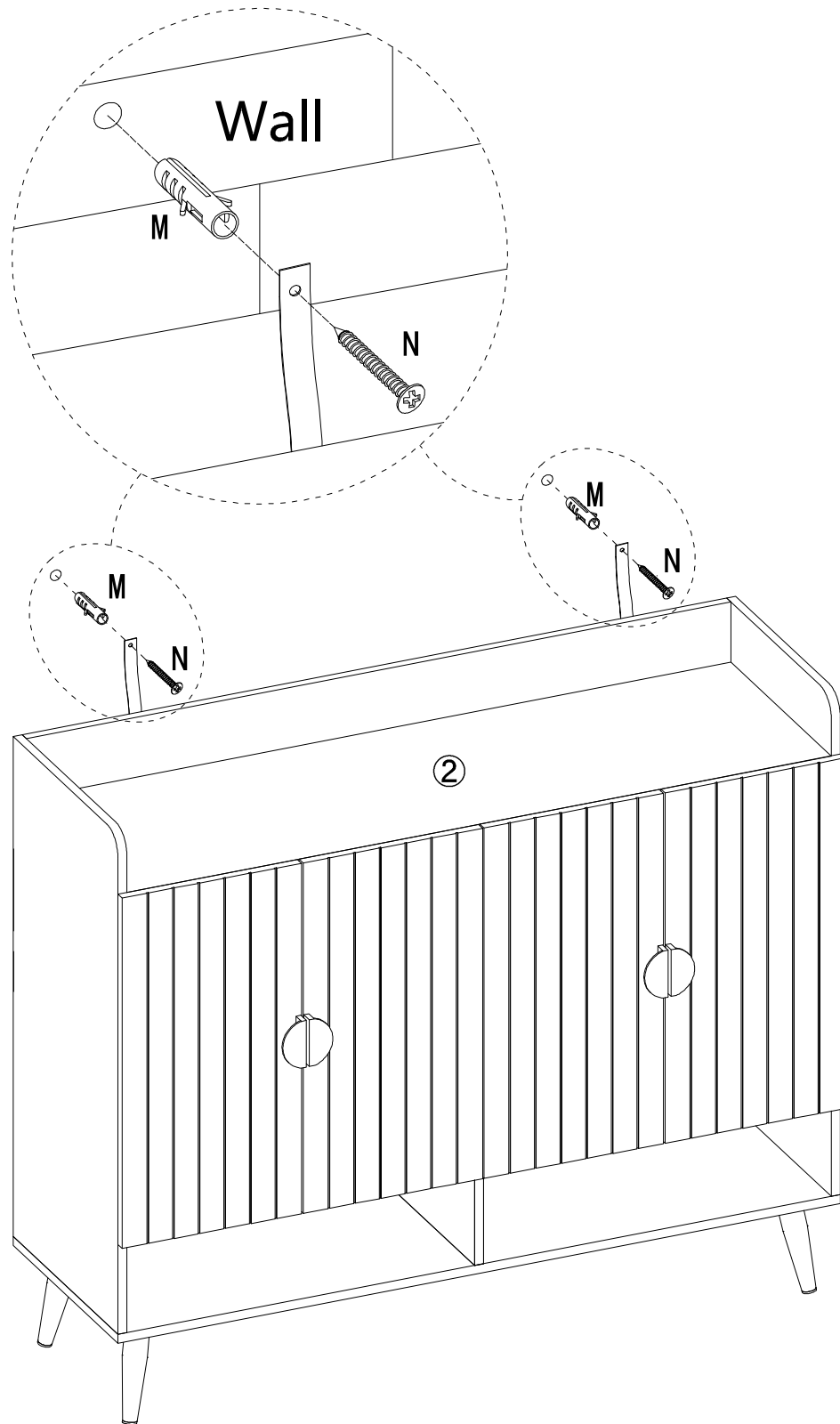
STEP 13





STEP 14



STEP 15



M  6x30mm x2	N  M4x35mm x2
---	--