

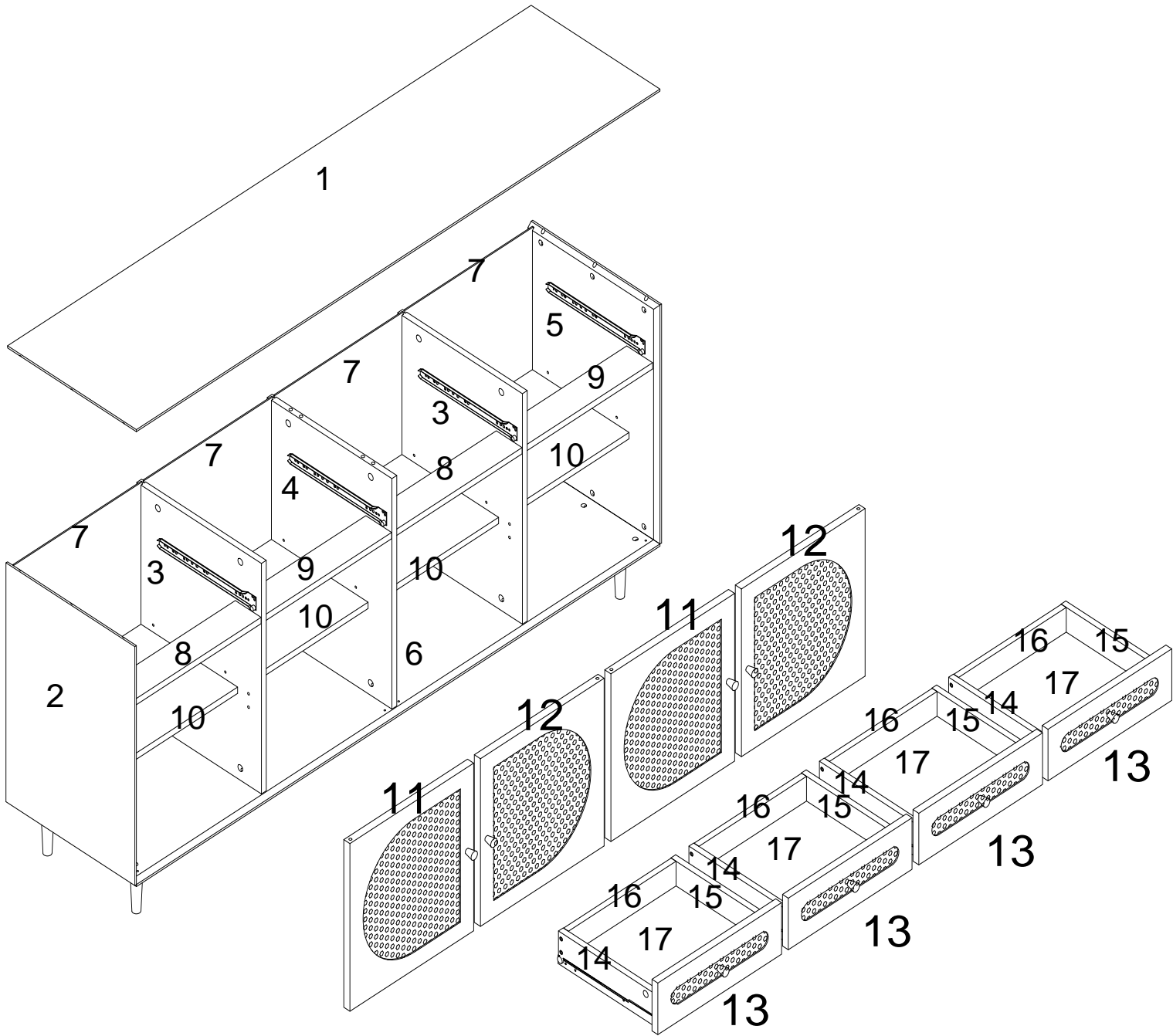
UESR'S MANUAL

TV stand

WF306420AAB

WF306420AAK

Exploded Views



A*28



Φ6*30

B*28



Φ15*10

C*28



Φ8*30

D*16



Φ4*30

E*40



Φ3.5*12

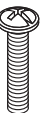
F*8



G*24



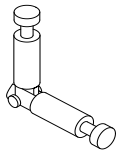
H*8



M4*24

I*8

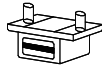
J*12



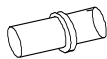
K*20



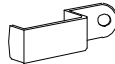
L*4



M*16



N*4



CL*4



CR*4



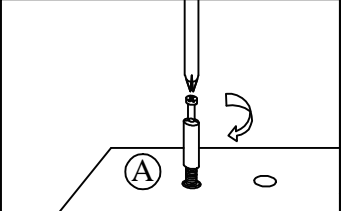
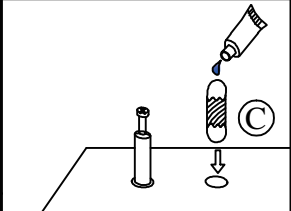
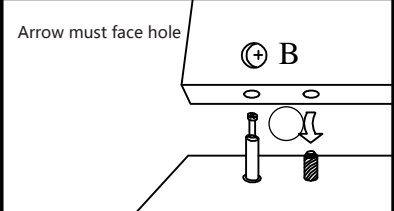
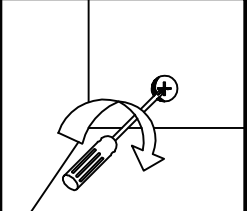
DL*4

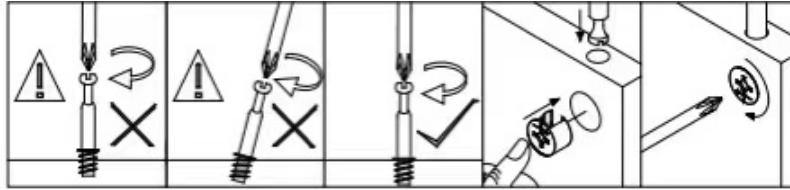


DR*4



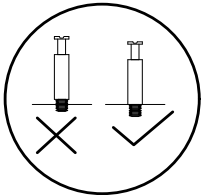
Assembling the unit with camlocks and wood dowels.

			
Gently screw cam bolt into the threaded anchor.	Lightly glue one end of the wood dowel and tap halfway into hole.	Lightly glue wood dowel and connect to second panel by inserting dowels into holes.	Screw the camlock firmly into locked position.



Dear customer, when you use the connector cam fitting to install this product please align the hole vertically and screw it in slowly. If you use an electric drill, please adjust it to a gear with a lower speed, and then screw it in vertically. Doing this can make your installation smoother. Thank you for your cooperation.

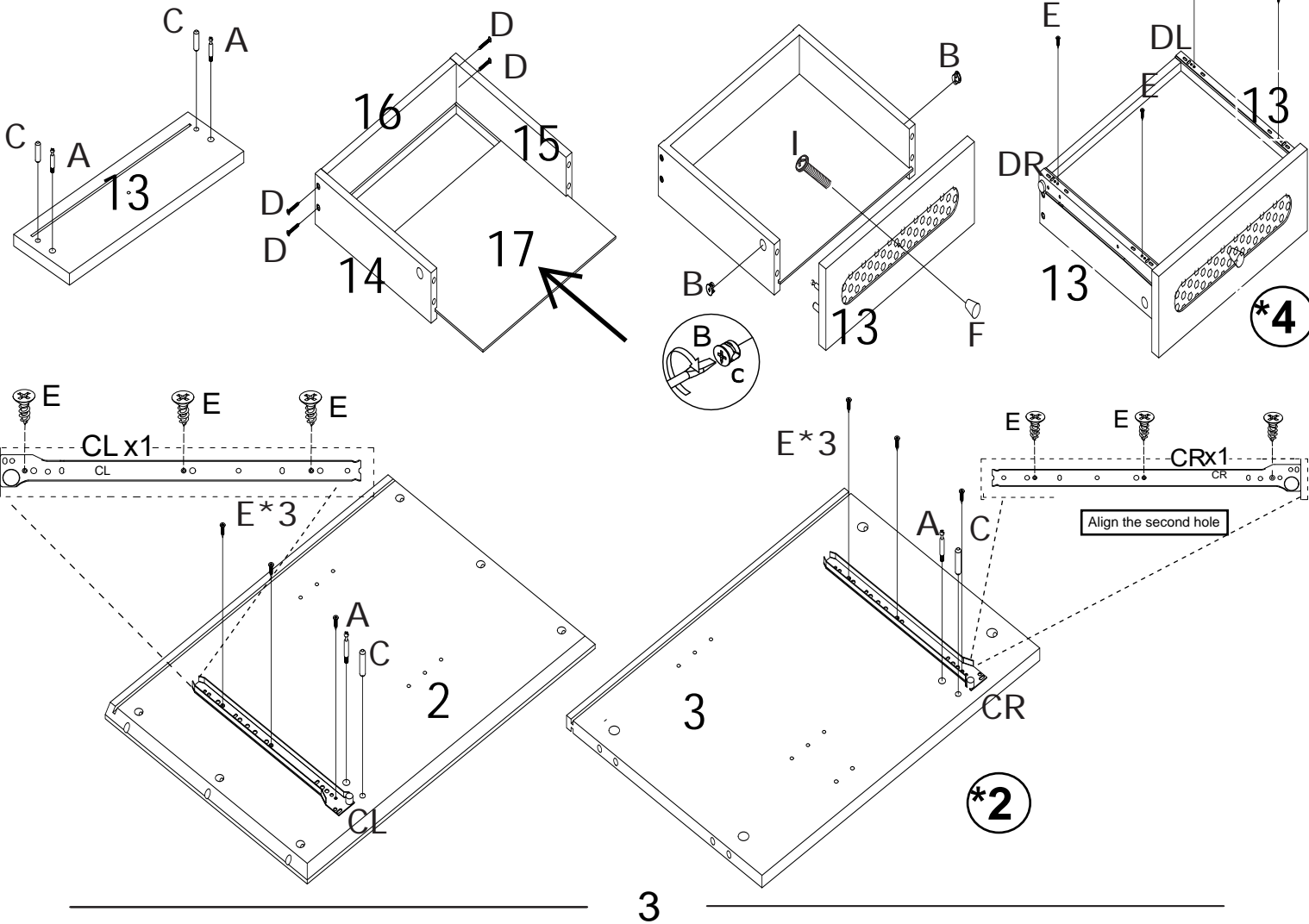
Step1 Schritt1



A*11 **C*11** **F*4** **I*4** **B*4** **E*25**

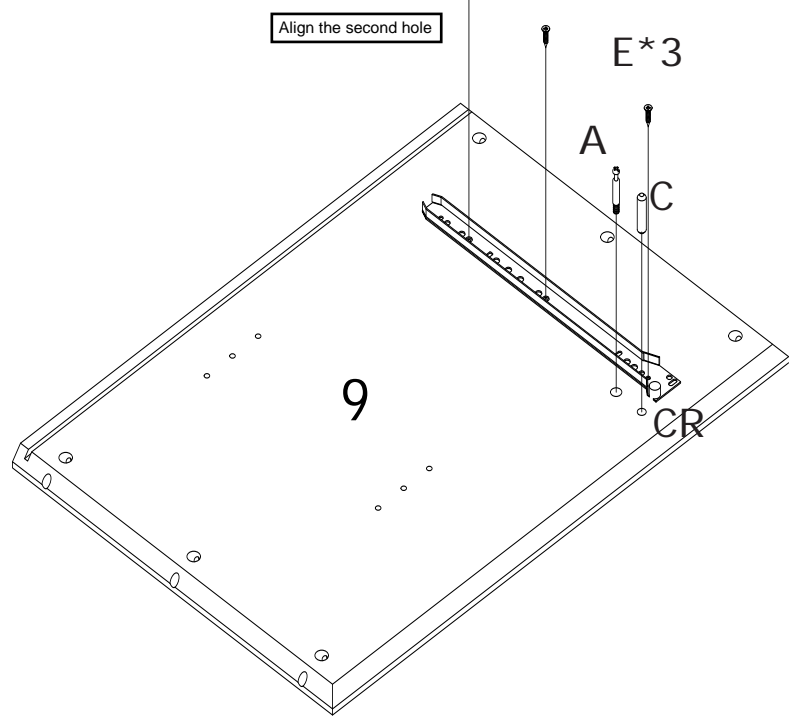
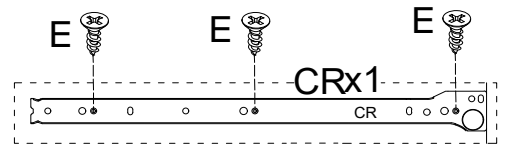
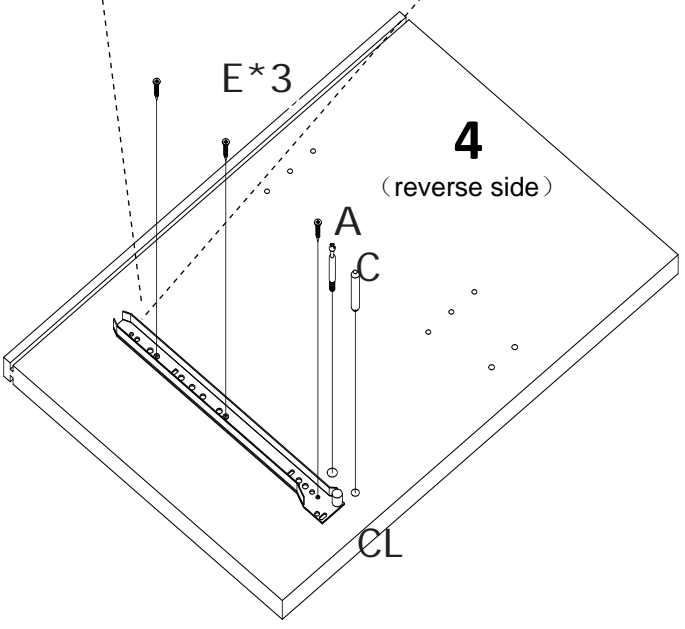
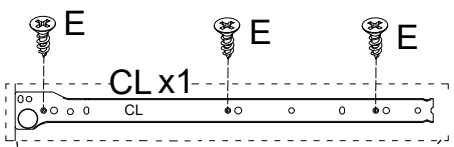
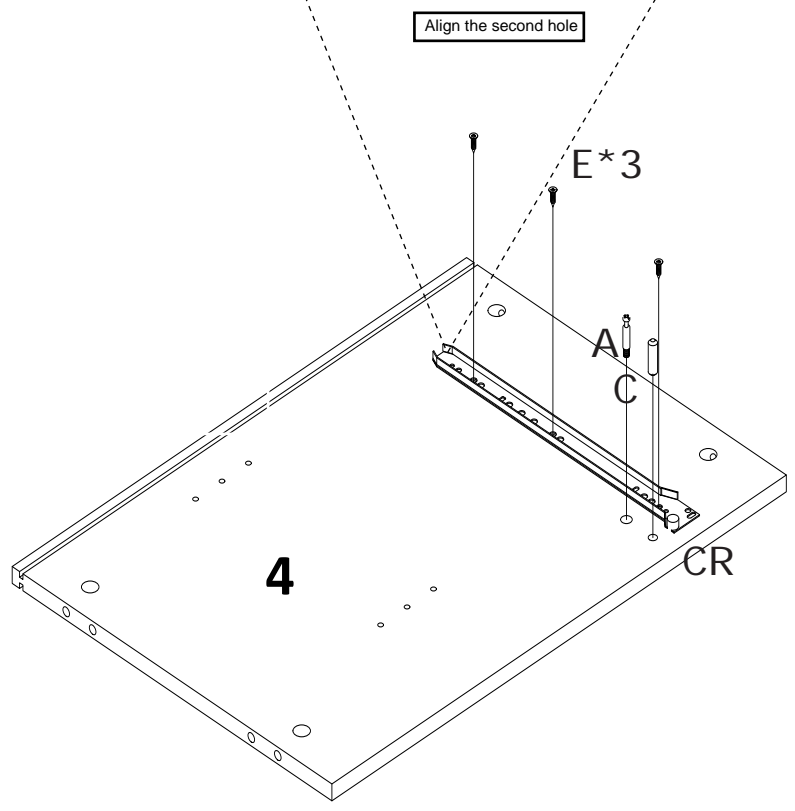
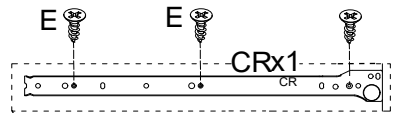
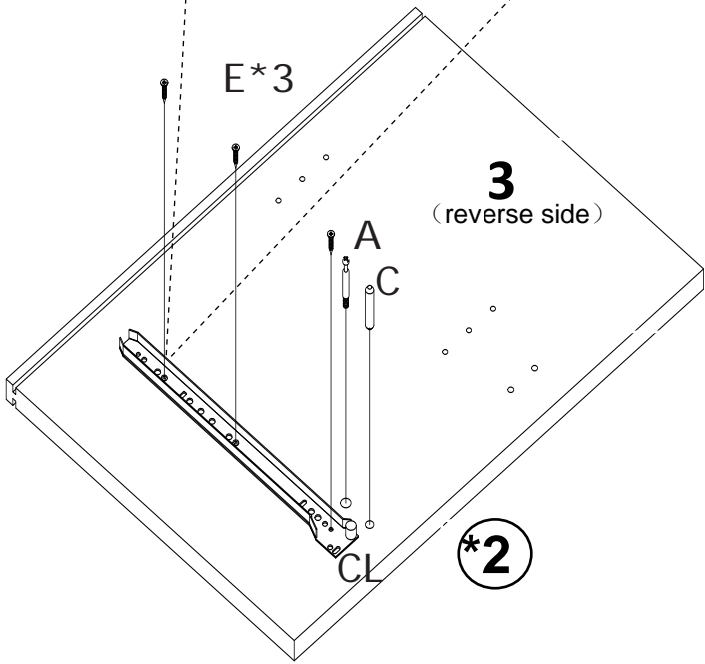
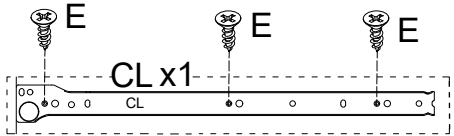
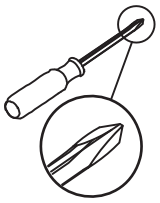
CL*1 **CR*2**

DL*4 **DR*4**




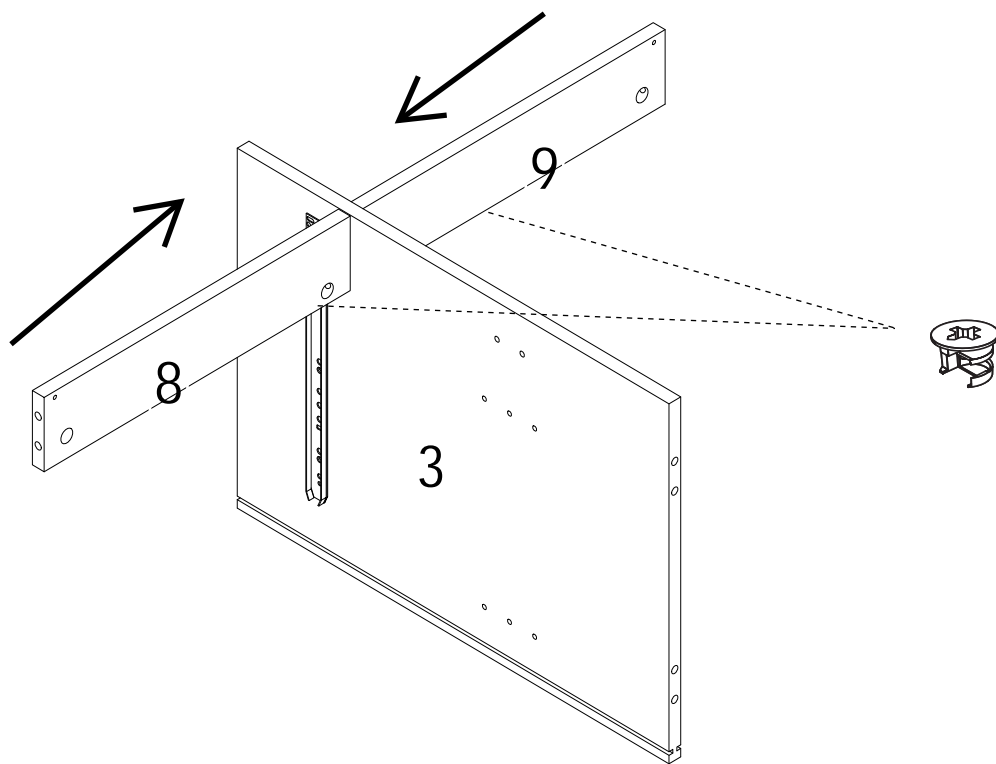
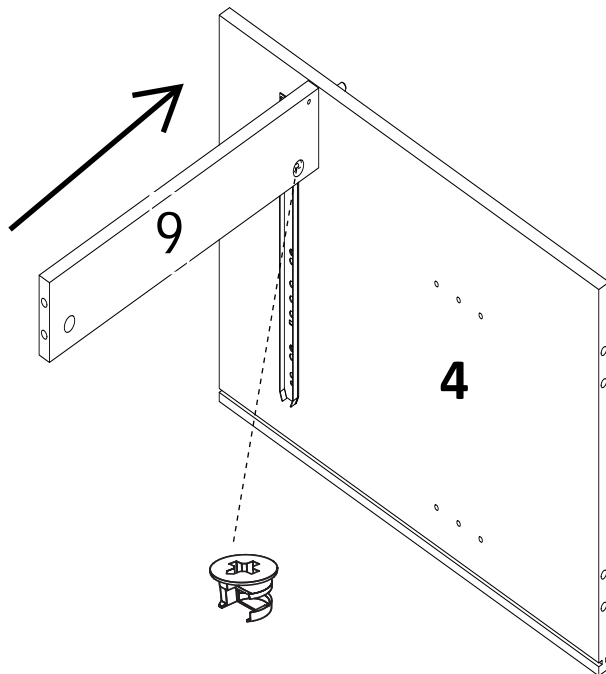
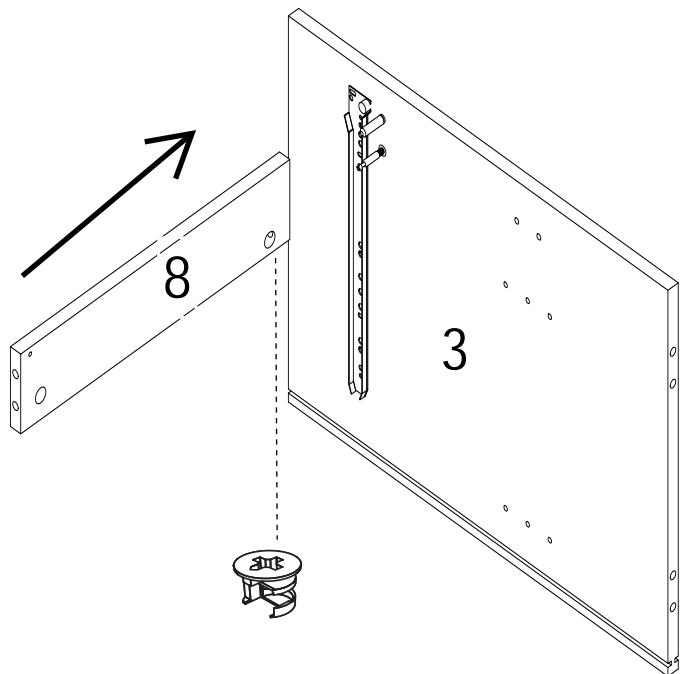
Step2
Schritt2

A*5  C*5  E*15  CL*3  CR*2 




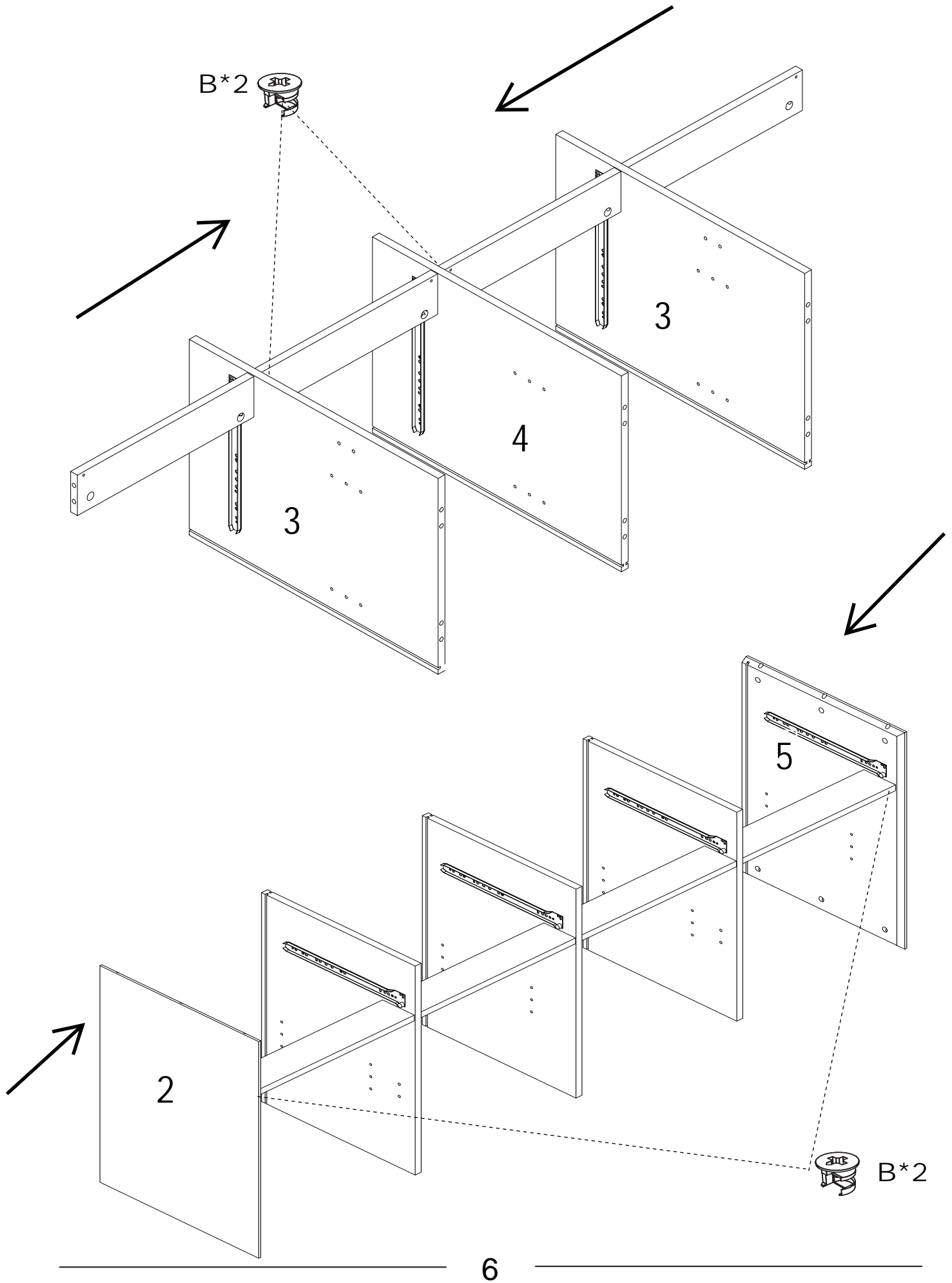
Step3
Schritt3

B*4 

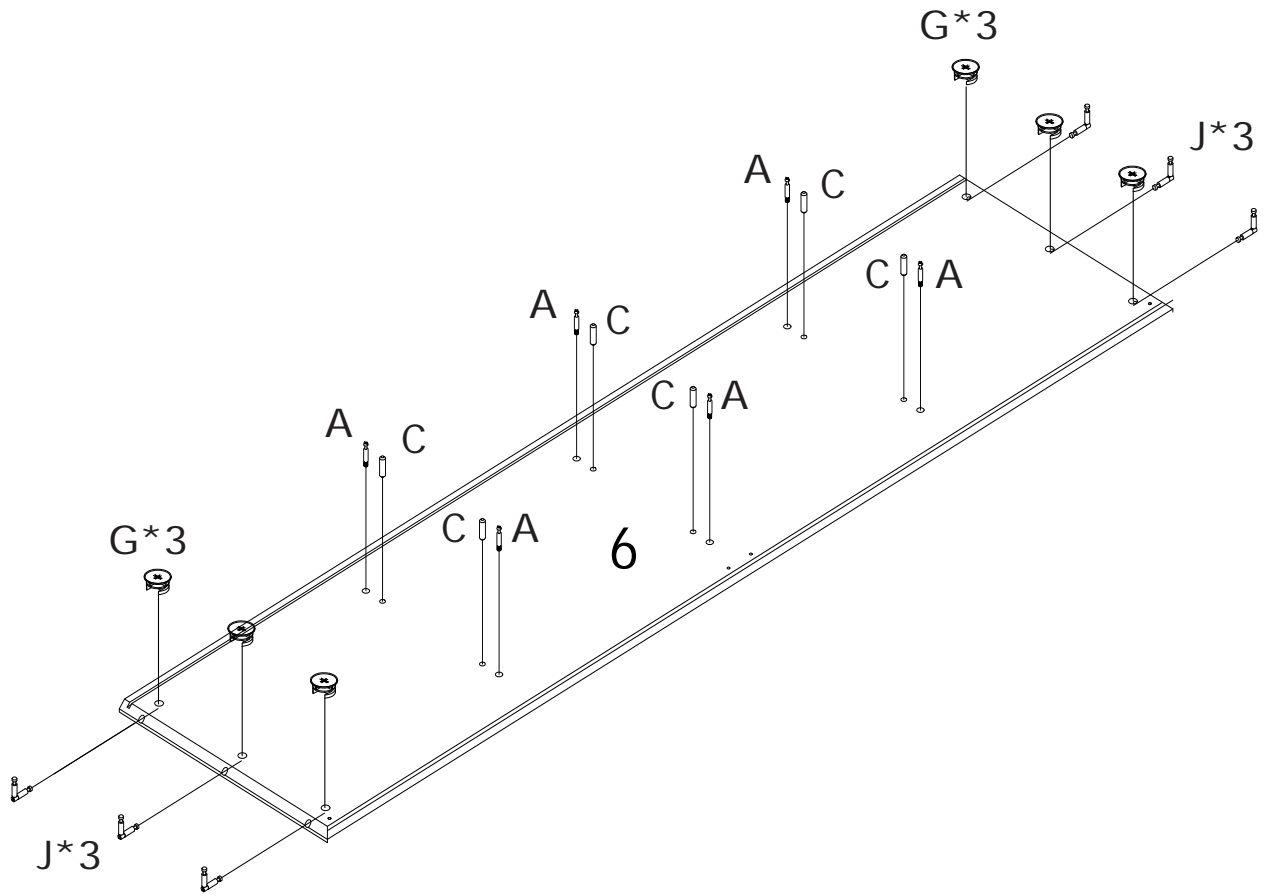
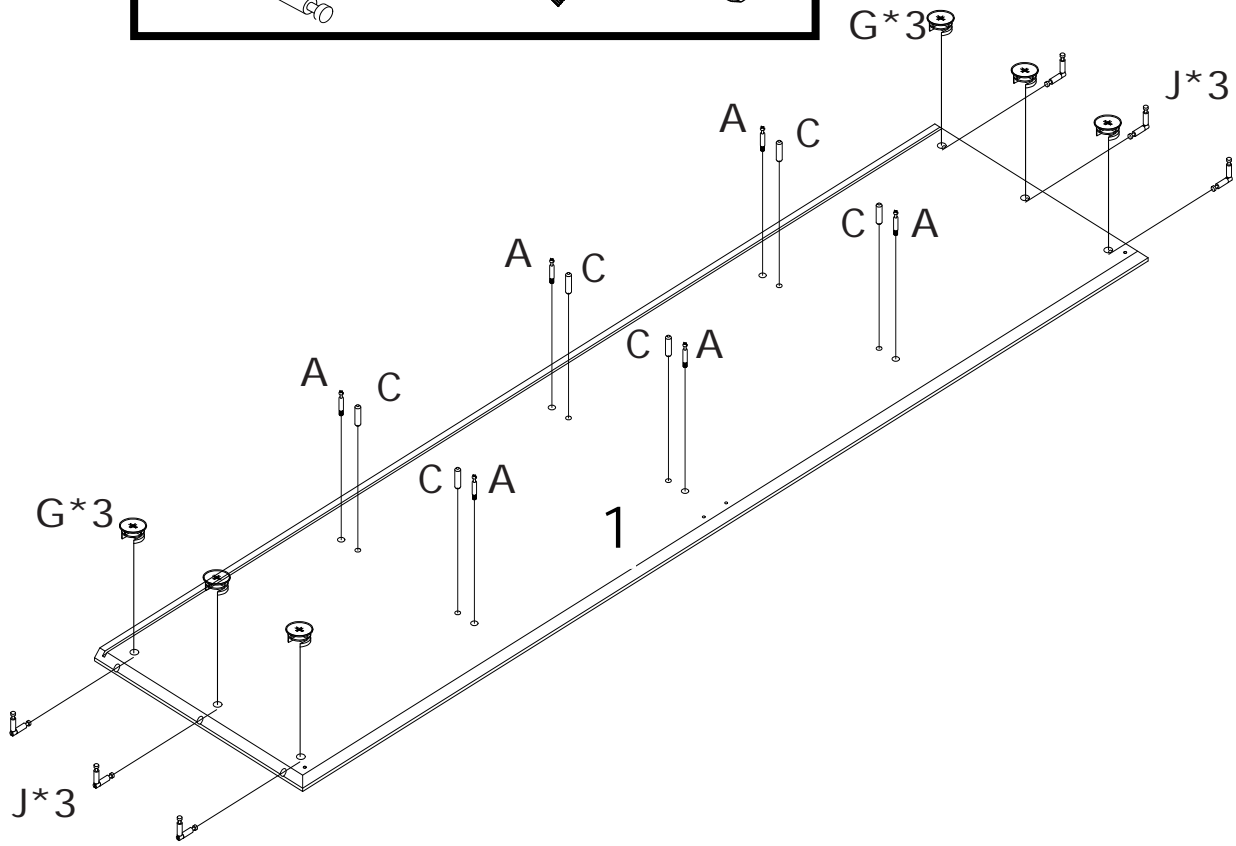


Step4
Schritt4

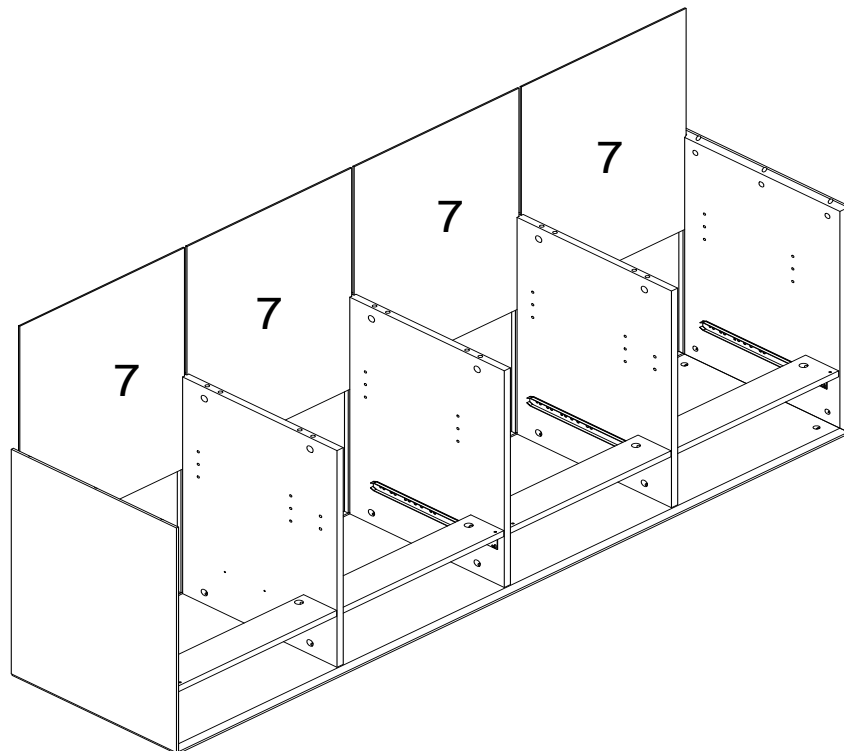
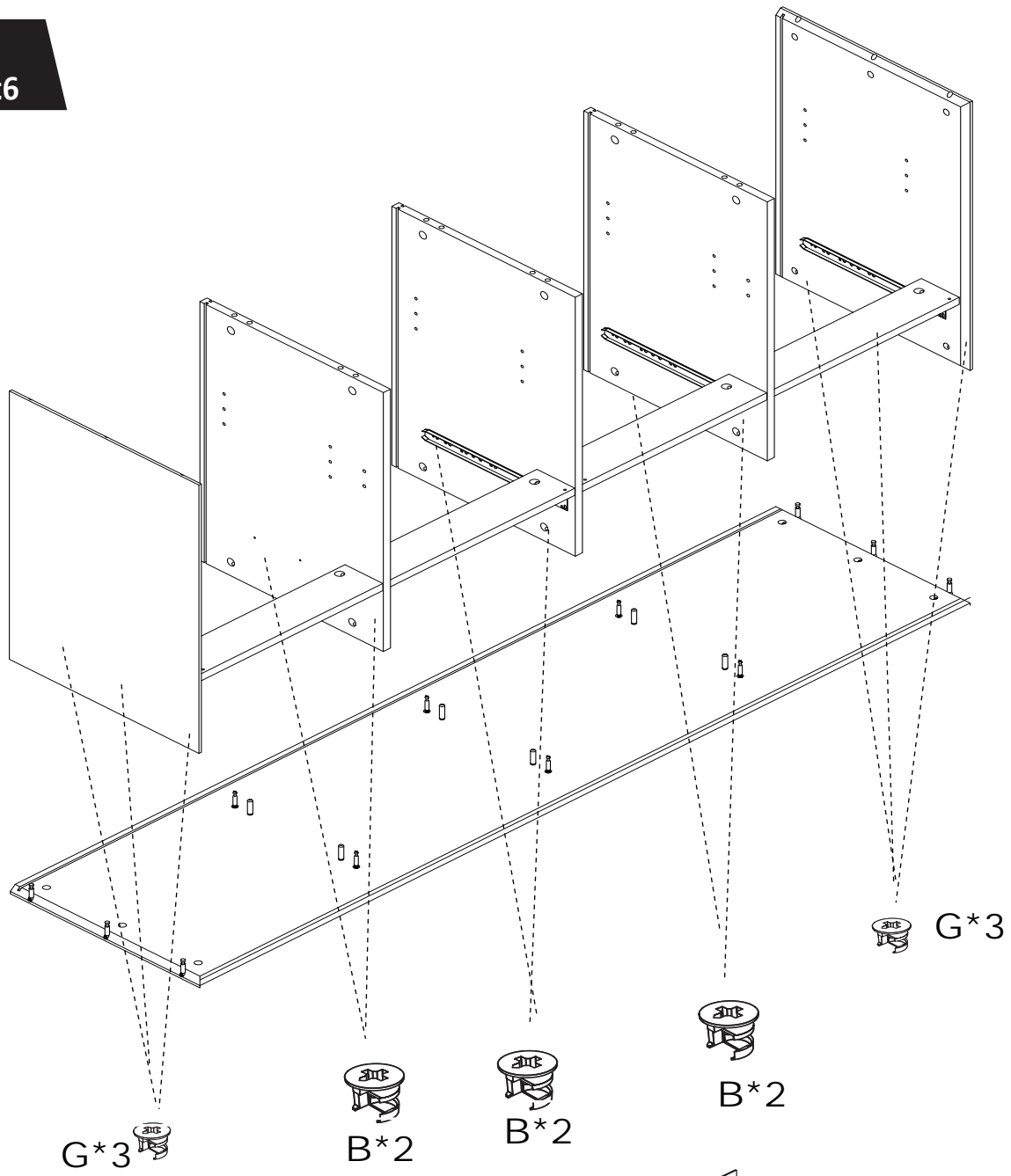
B*4 



Step5
Schritt5

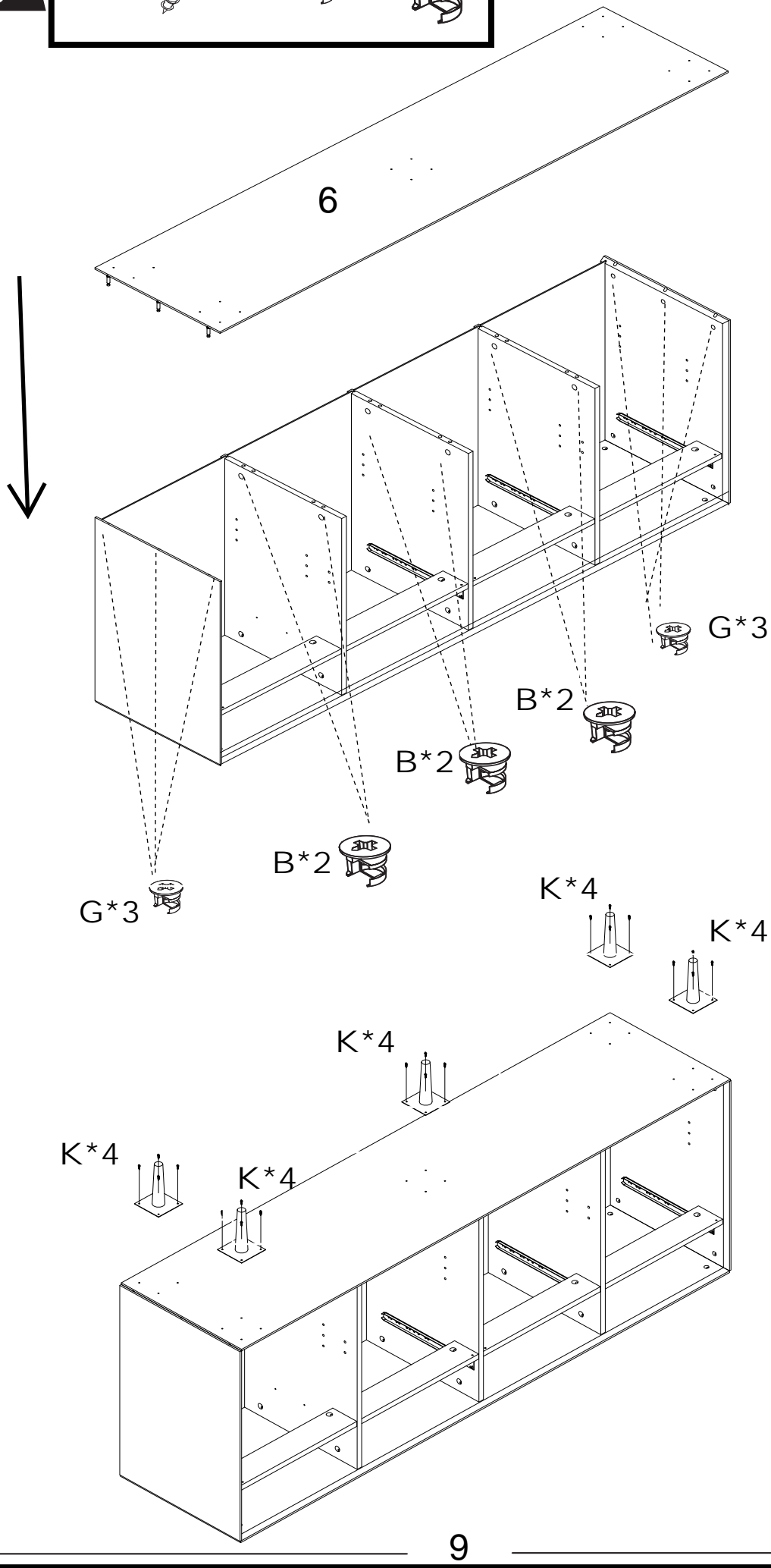


Step6
Schritt6

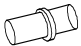
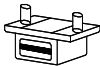


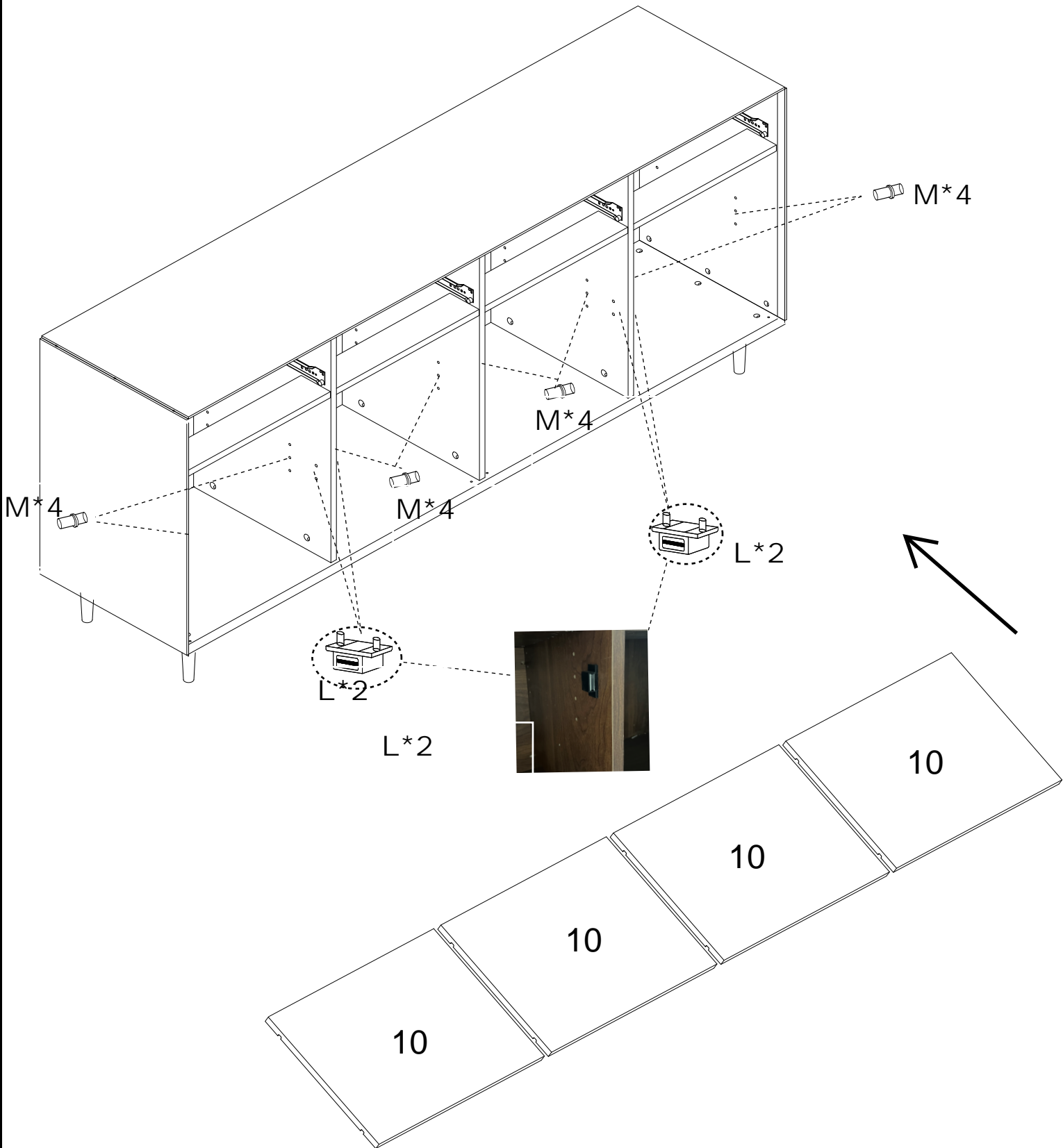
Step6
Schritt6

K*20  G*6  B*6 



Step7
Schritt7

M*16  L*4 



Step8
Schritt8

- N*4
- H*8
- I*4
- F*4

