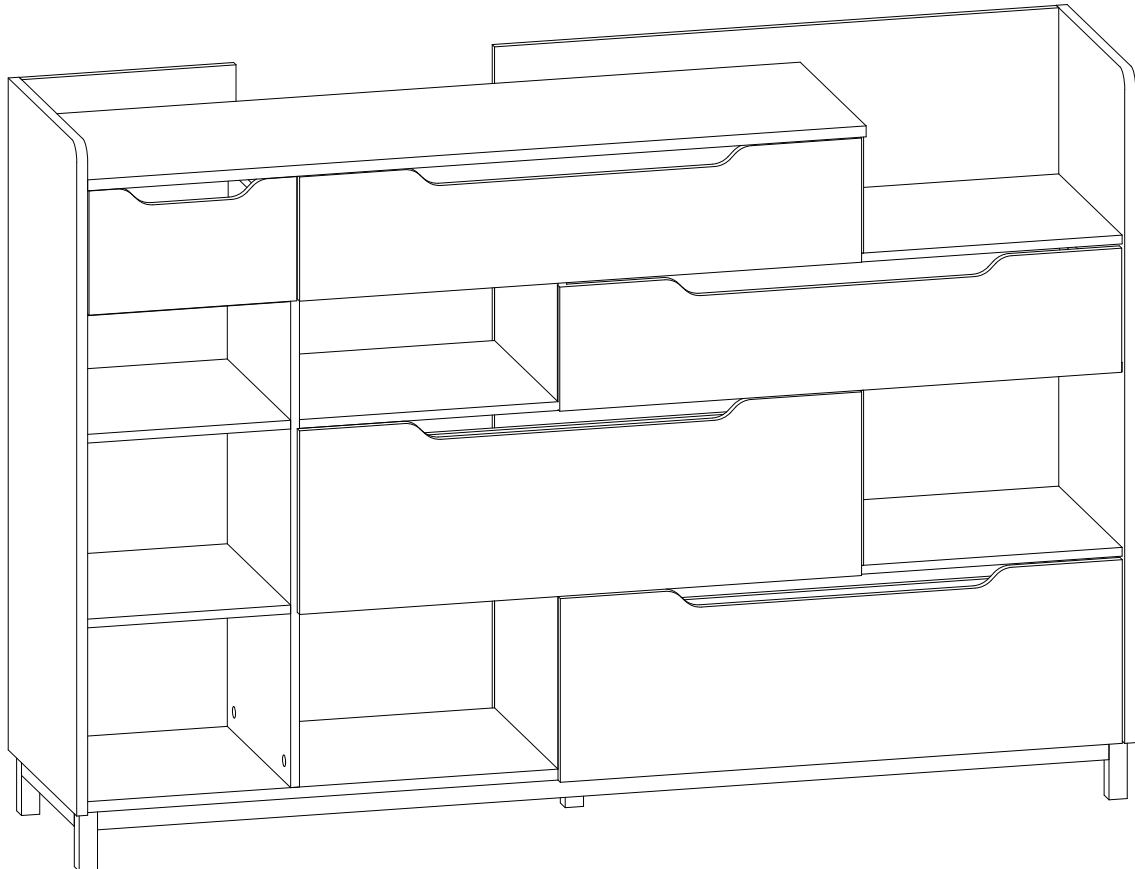


SHOE CABINET-N724P170543/N724P170545

Assembly Instructions - Please keep for future reference.



DIMENSIONS

width - 57.09inch

Depth - 13.78inch

Height - 39.37inch




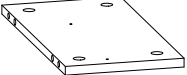
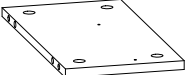




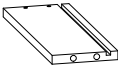
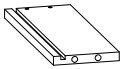

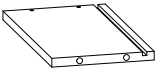



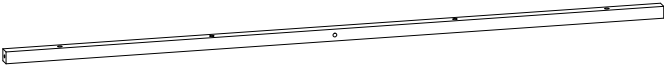

Important - Please read these instructions fully before starting assembly.

components - fittings


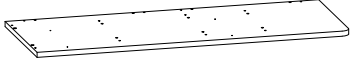



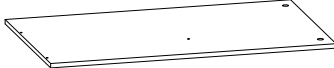





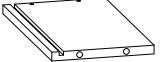

Please check you have all the panels listed below.

Note: The quantitie below are the correchet amount to complete the assembly. In some cases more fittings may be supplied than are required.

N724P170543 - Box:1/2

			
① x 1pc	② x 1pc	⑥ x 3pcs	⑦ x 1pc
			
⑧ x 1pc	⑨ x 1pc	⑩ x 1pc	⑪ x 3pcs
			
⑮ x 1pc	⑳ x 3pcs	㉑ x 3pcs	㉒ x 1pc
			
㉔ x 2pcs	㉗ x 1pcs	㉘ x 4pcs	㉙ x 2pcs
			
⑳ x 2pcs		㉓ x 1pcs	

N724P170545 - Box:2/2

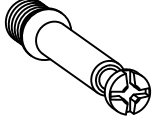




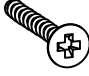
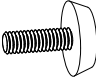



			
③ x 1pc	④ x 1pc	⑤ x 1pc	⑫ x 1pc
			
⑬ x 1pc	⑭ x 1pc	⑯ x 1pc	⑰ x 1pc
			
⑱ x 1pc	⑲ x 1pc	㉓ x 2pcs	㉕ x 2pcs
			
㉖ x 2pcs			

components - fittings

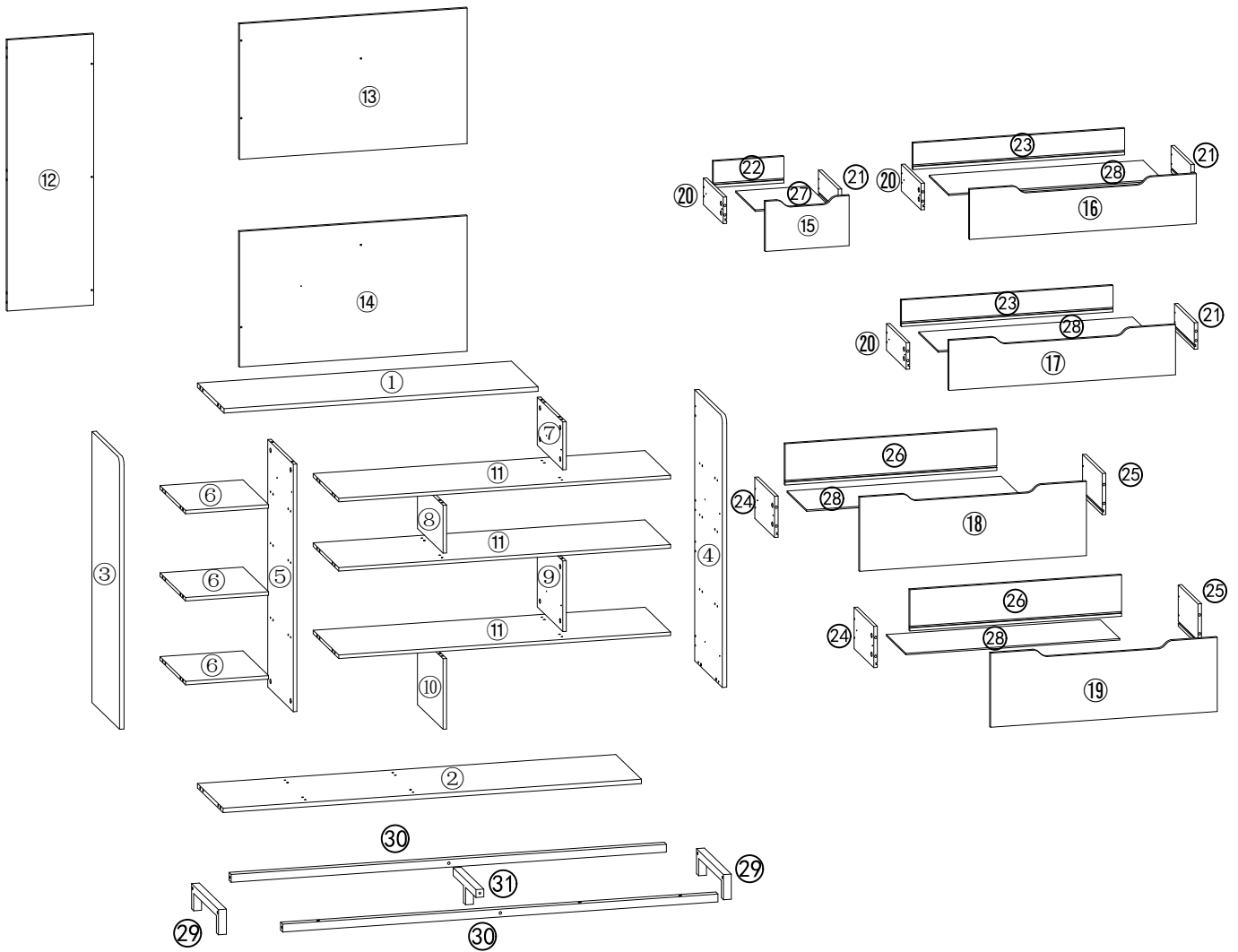
Please check you have all the panels listed below.

Note: The quantitie below are the correchet amount to complete the assembly. In some cases more fittings may be supplied than are required.

Hardware-Liste + N724P170543 - Box:1/2

 M6x35mm	 Φ15x9mm	 Φ8x30mm	 M3x12mm
A x 77pcs	B x 77pcs	C x 57pcs	D x 40pcs
 E x 10pcs	 M4x25mm	 G x 5pcs	 M6x35mm
E x 10pcs	F x 29pcs	G x 5pcs	H x 8pcs
 I x 1pc	 M6x40mm		
I x 1pc	J x 6pcs		

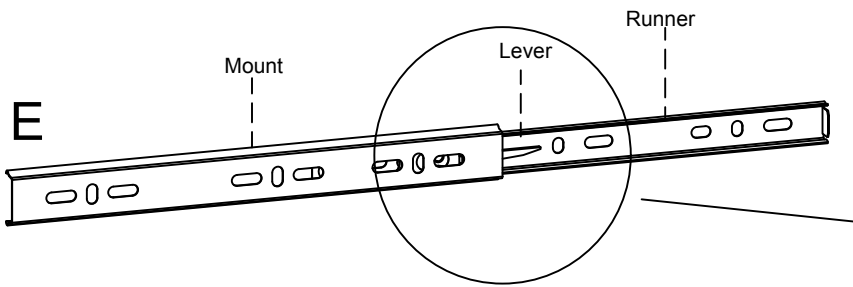
Assembly Instructions



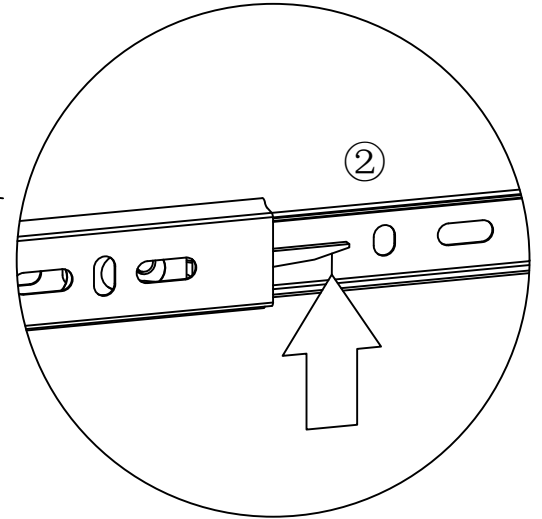
Assembly Instructions

STEP 1

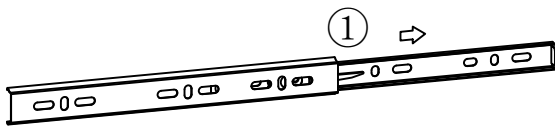
·Slides Must Be Separated Before Assembly.
After Separated, Set Aside Until Needed for Assembly.



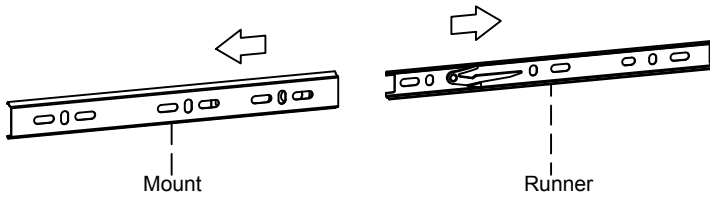
STEP 2 : Push Lever UP



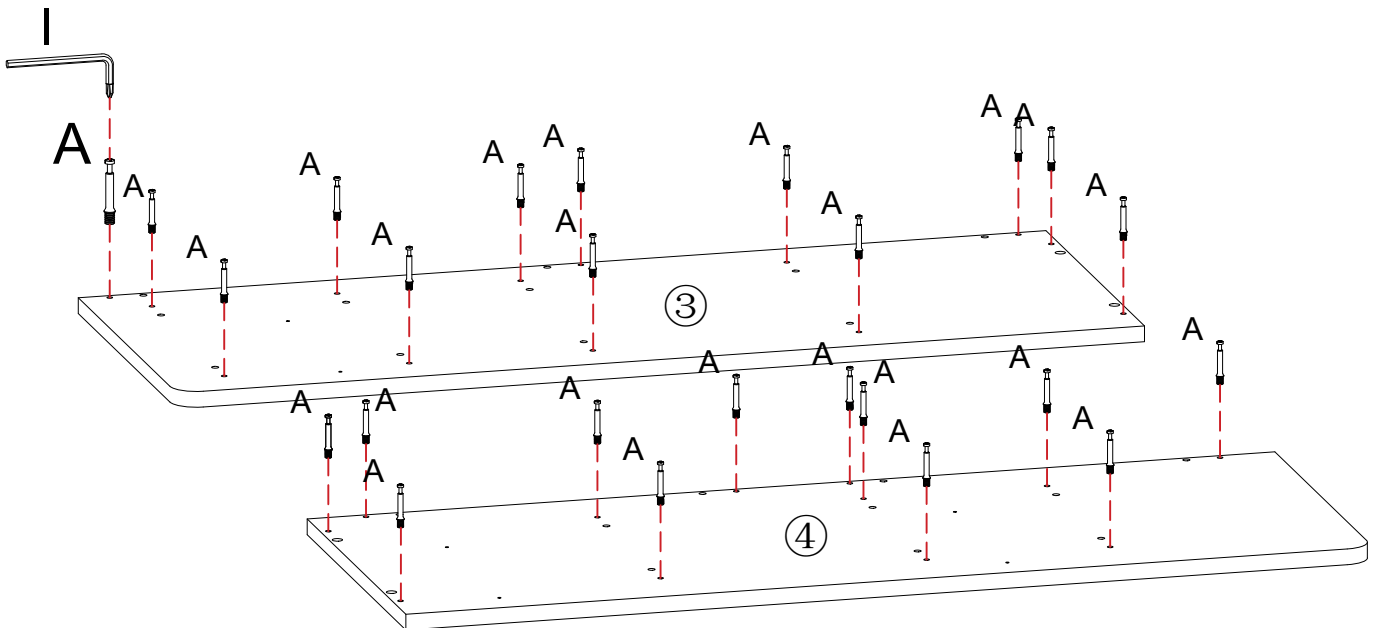
STEP 1 : Extend Slide

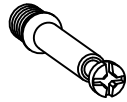



STEP 3 : Remove Runner



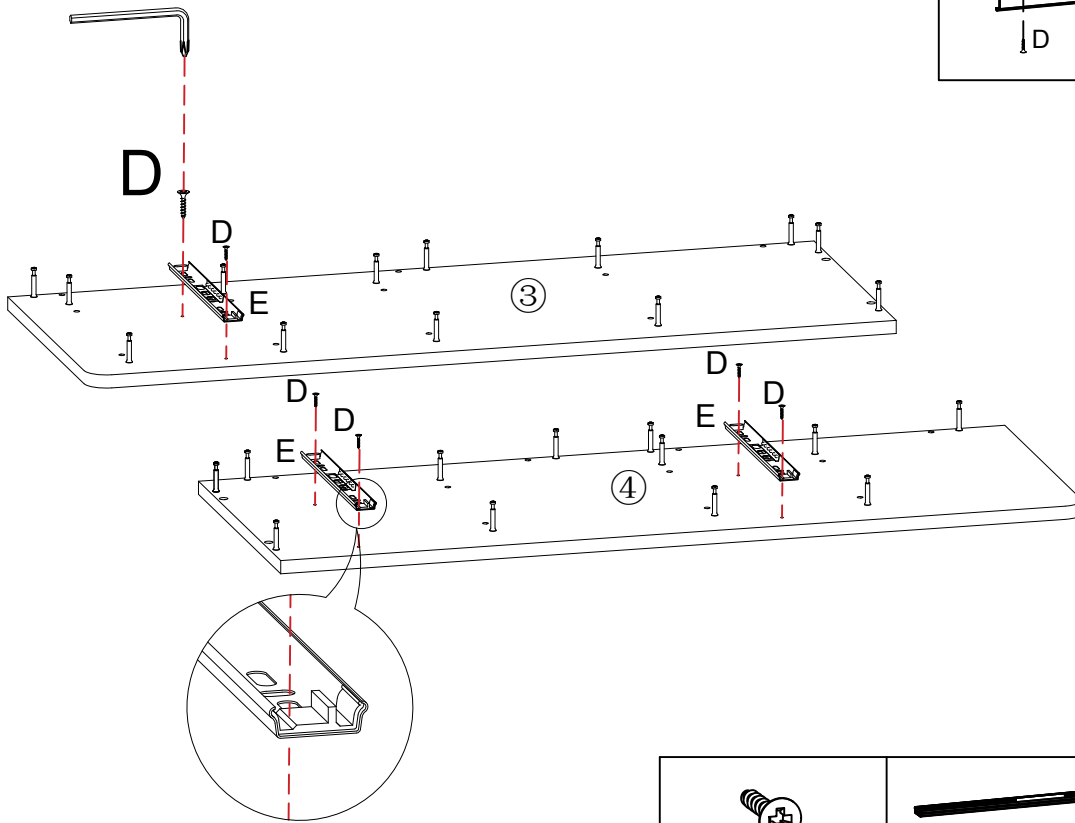
STEP 2



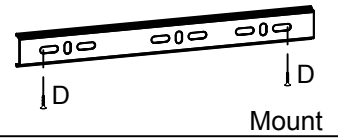
	
A x25pcs	I x 1pc




Assembly Instructions

STEP 3

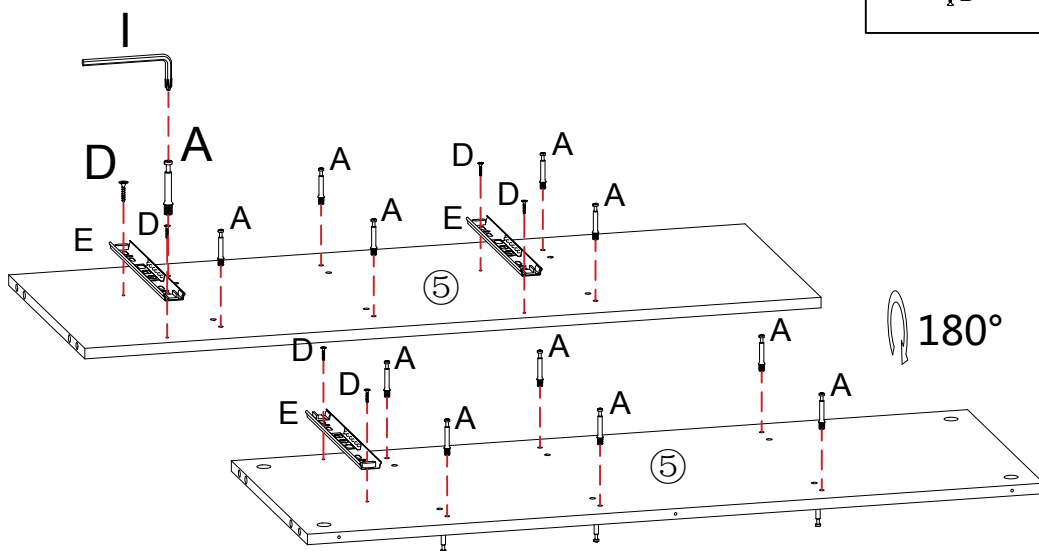


orientation

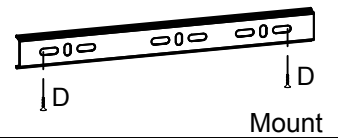


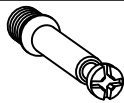



	 Mount	
D x6pcs	E x 3pcs	I x 1pc

STEP 4



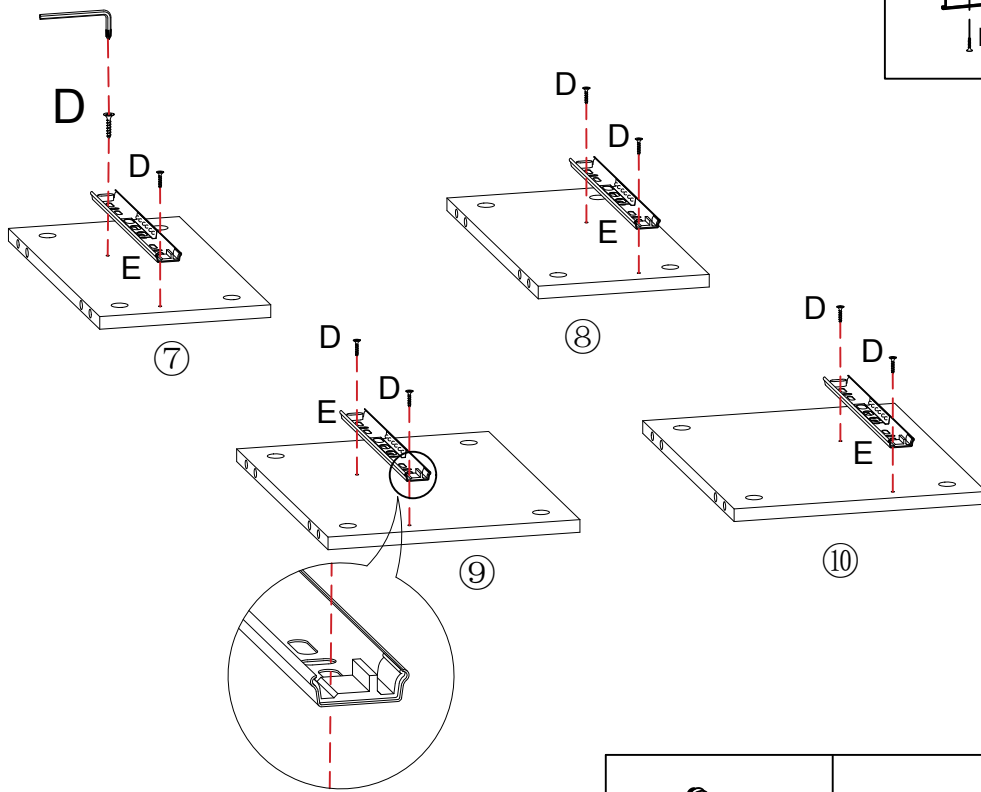
orientation






		 Mount	
A x12pcs	D x6pcs	E x3pcs	I x 1pc

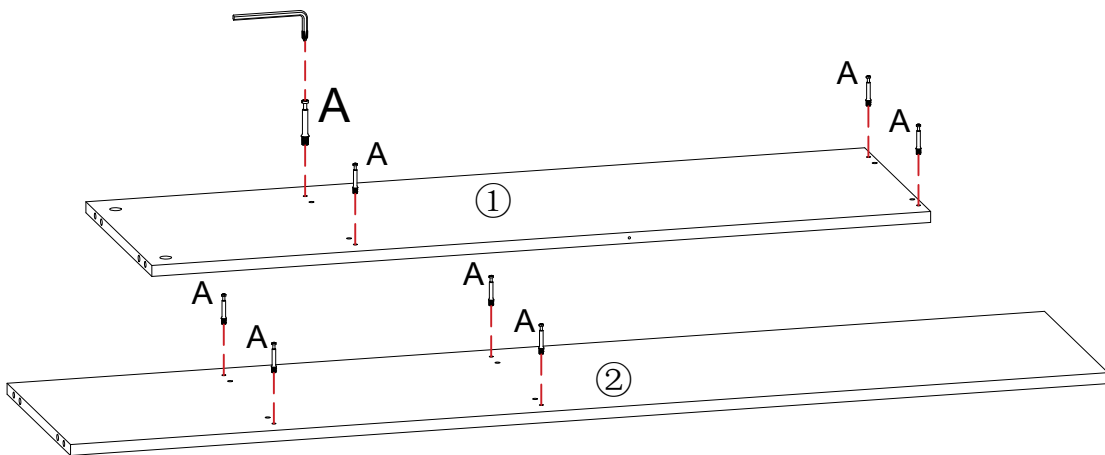
Assembly Instructions

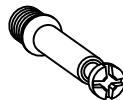

STEP 5



	 Mount	
D x 8pcs	E x 4pcs	I x 1pc

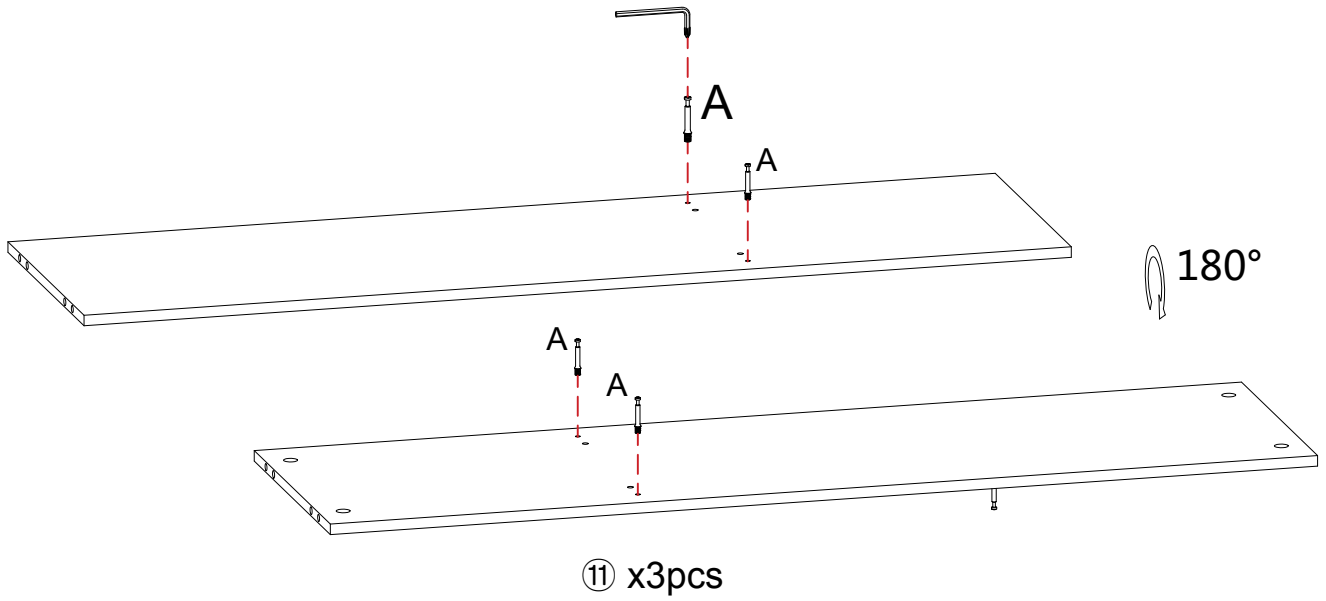
STEP 6

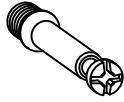



	
A x 8pcs	I x 1pc

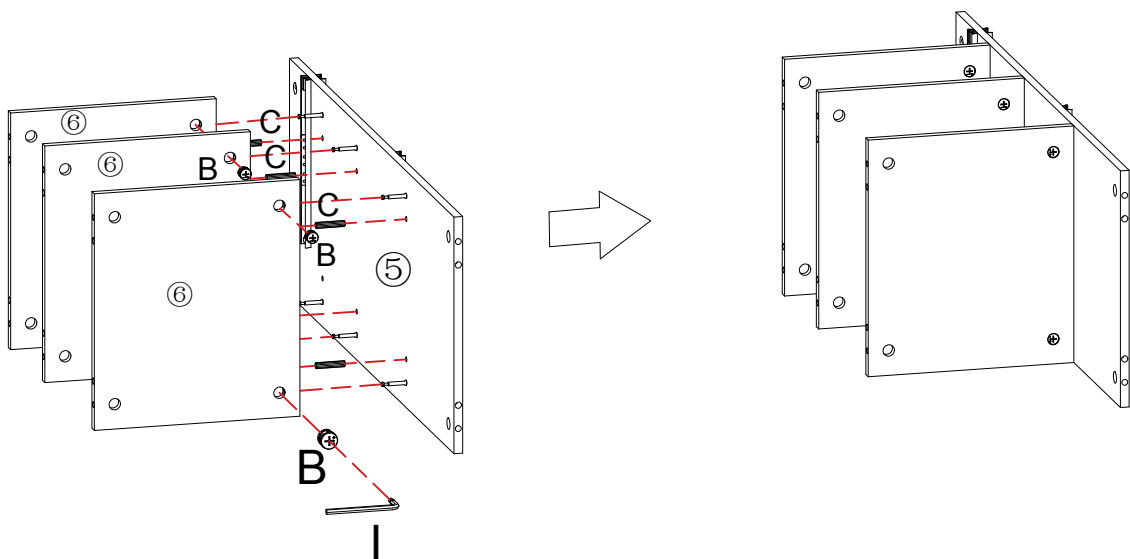
Assembly Instructions




STEP 7



	
A x12pcs	L x 1pc

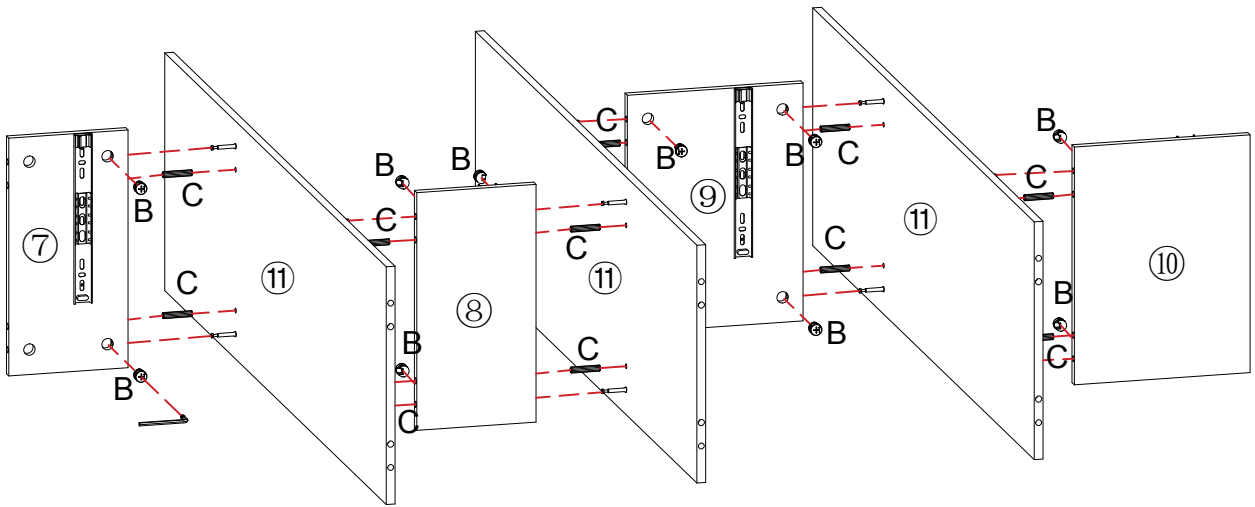
STEP 8






		
B x 6pcs	C x 6pcs	L x 1pc

Assembly Instructions

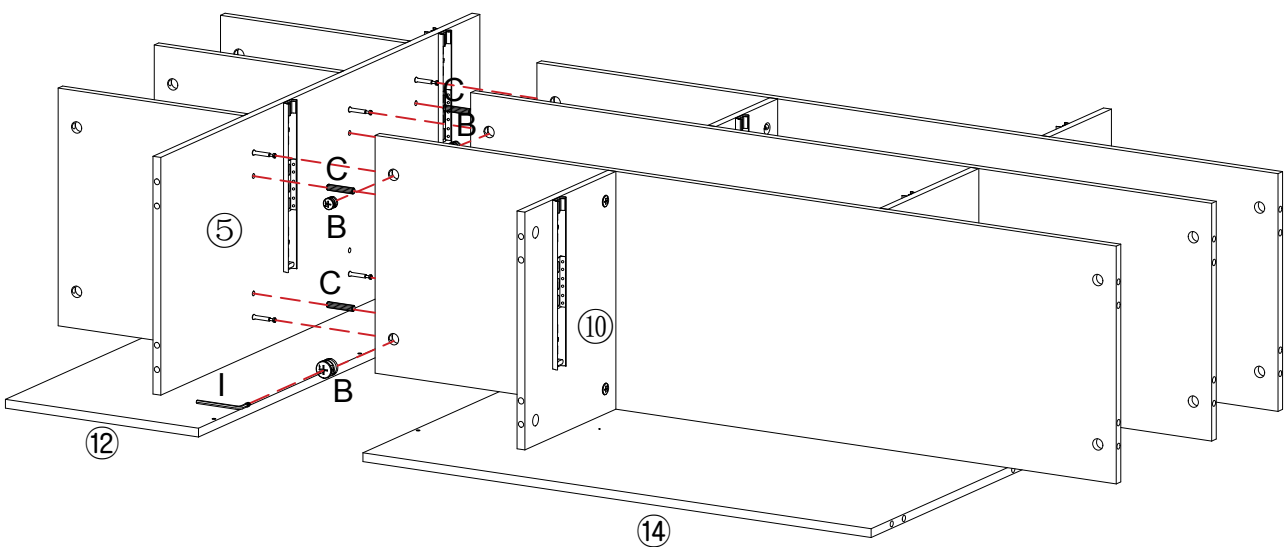
STEP 9






		
B x 12pcs	C x 12pcs	L x 1pc

STEP 10

Tip: When you assemble to this step, it is recommended to place components ⑫, ⑬, and ⑭ underneath for easy assembly in step 12.

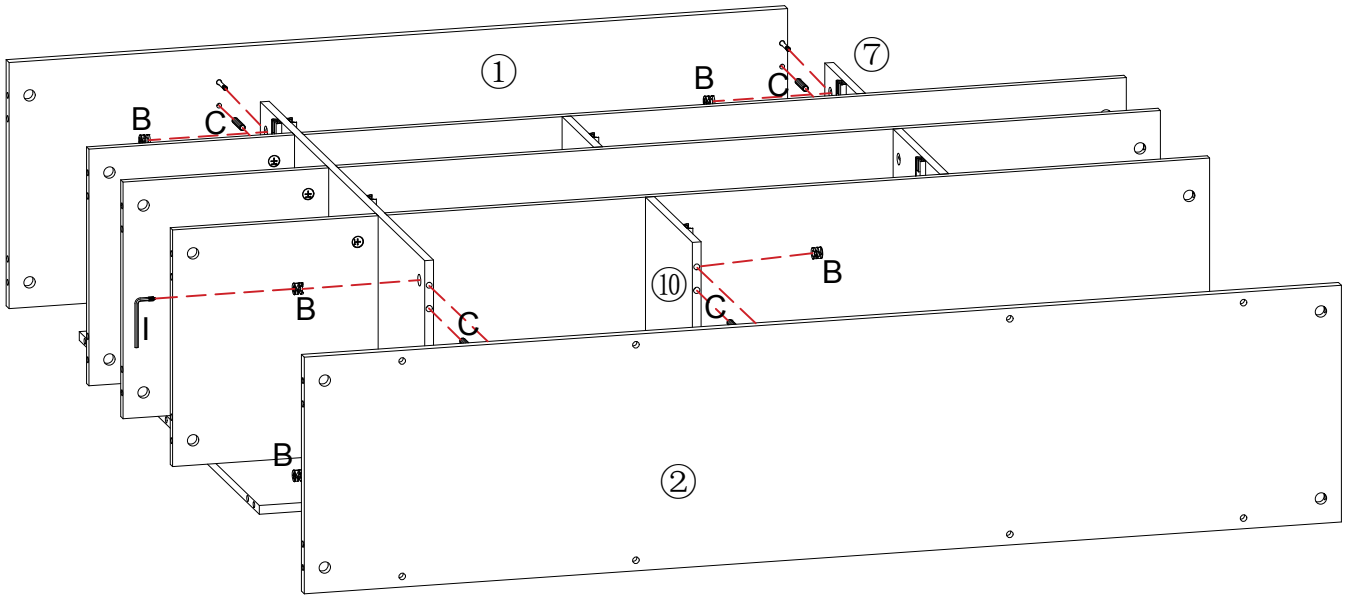





Pay attention to the direction when looking at the hole position

		
B x 6pcs	C x 6pcs	L x 1pc

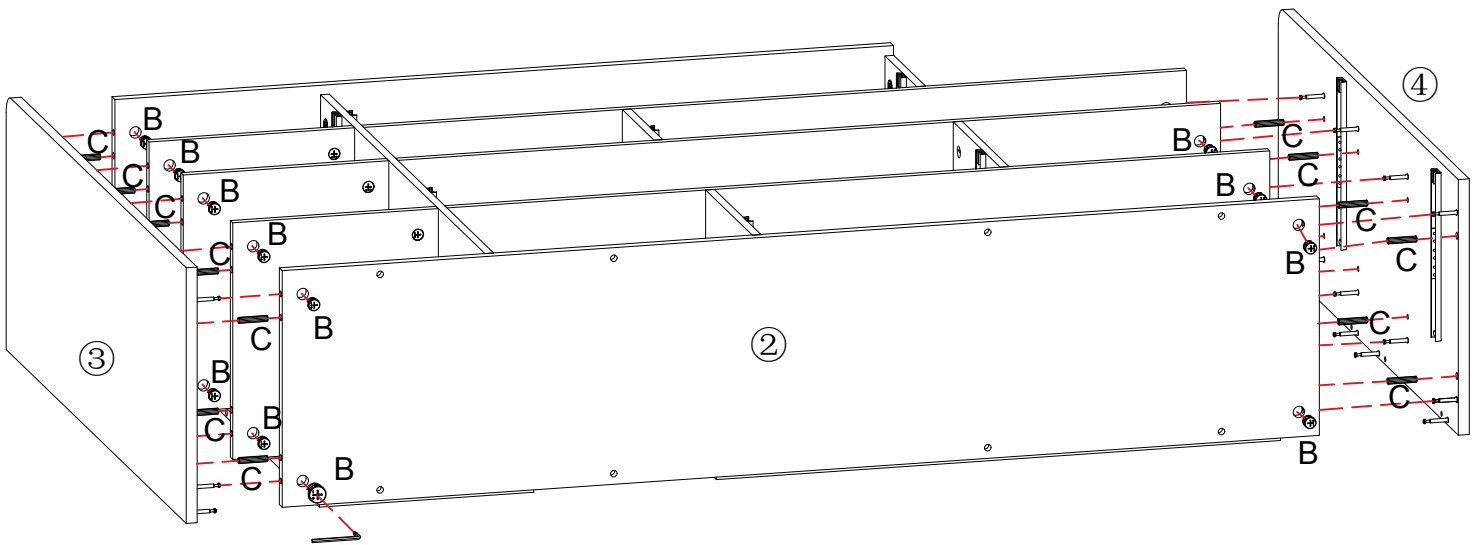
Assembly Instructions




STEP 11



		
B x 8pcs	C x 8pcs	L x 1pc

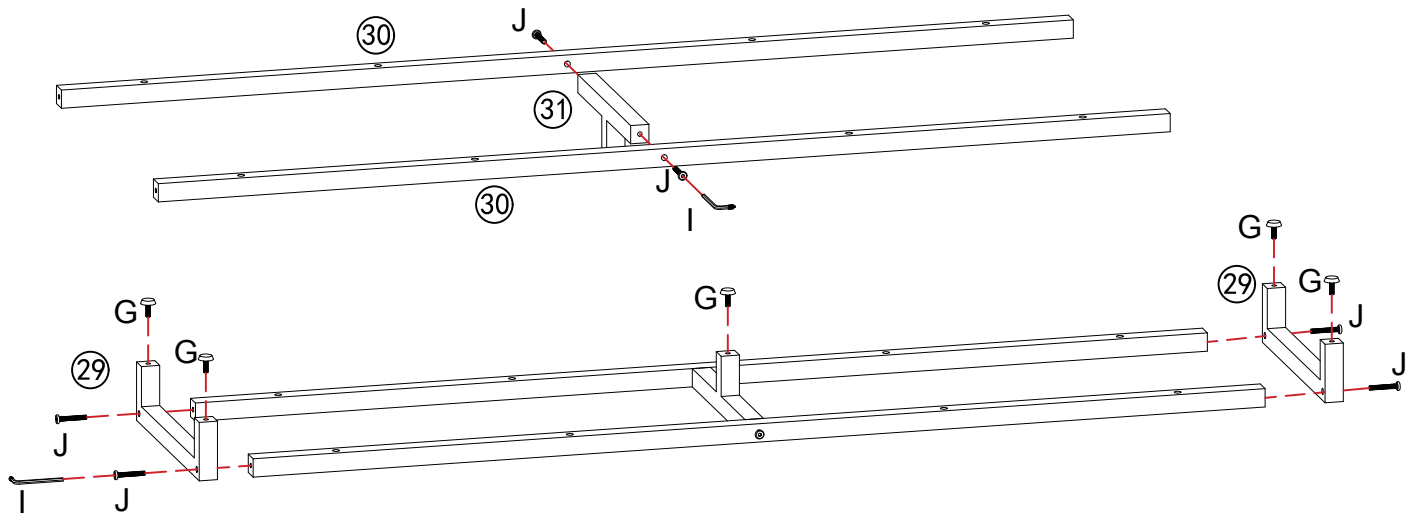
STEP 12

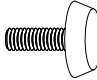




		
B x 18pcs	C x 18pcs	L x 1pc

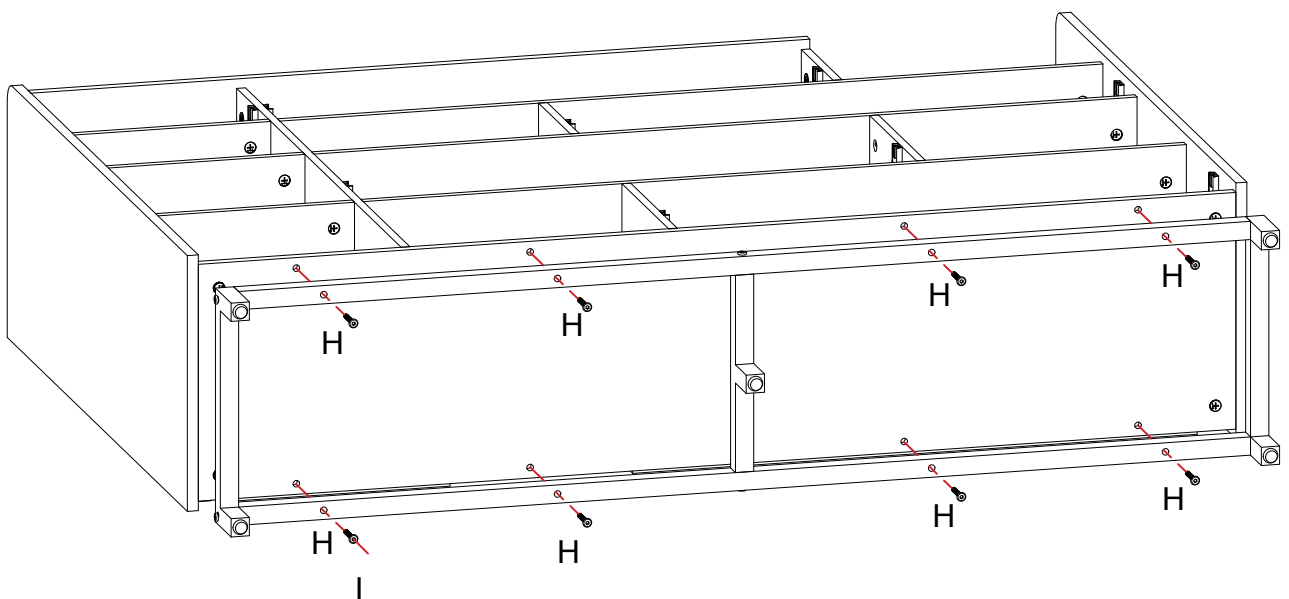
Assembly Instructions

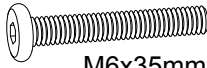

STEP 13



		 M6x40mm
G x 5pcs	I x 1pc	J x 6pcs

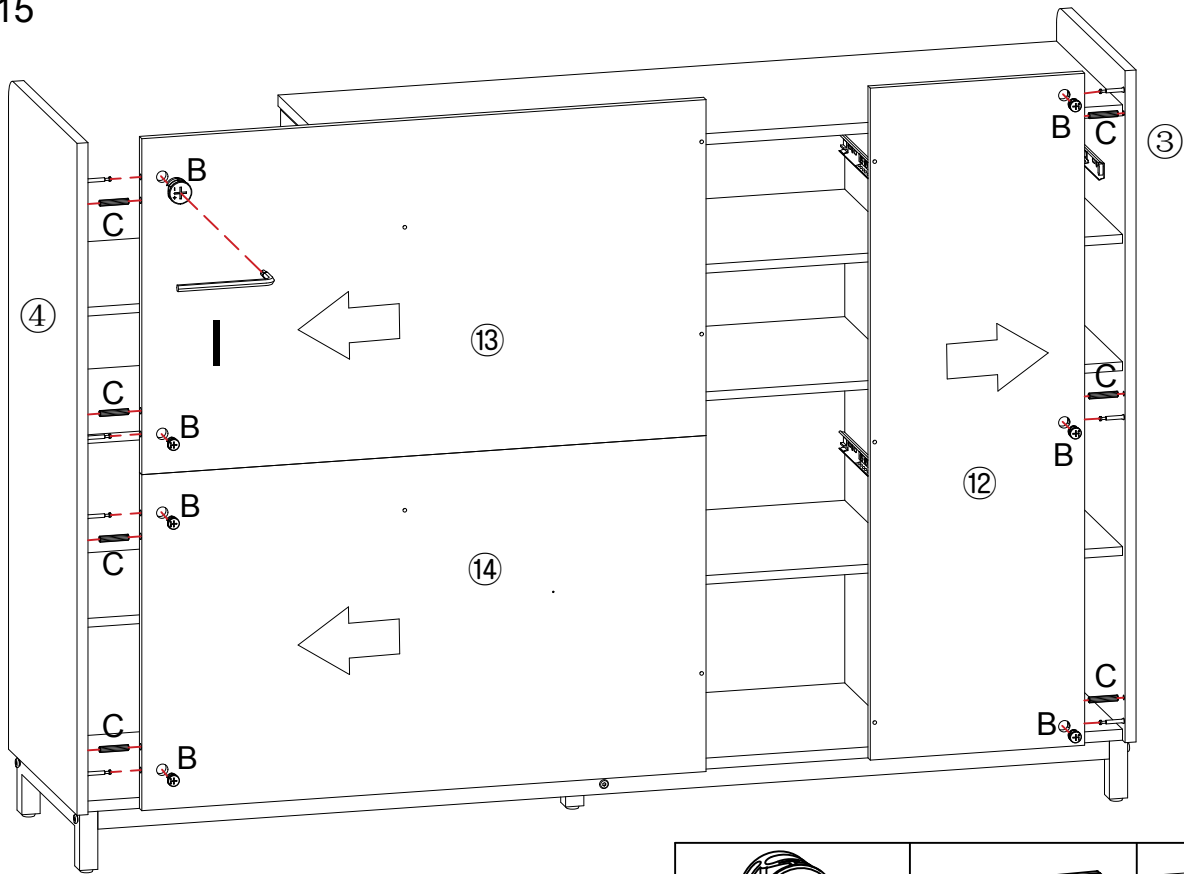
STEP 14






 M6x35mm	
H x 8pcs	I x 1pc

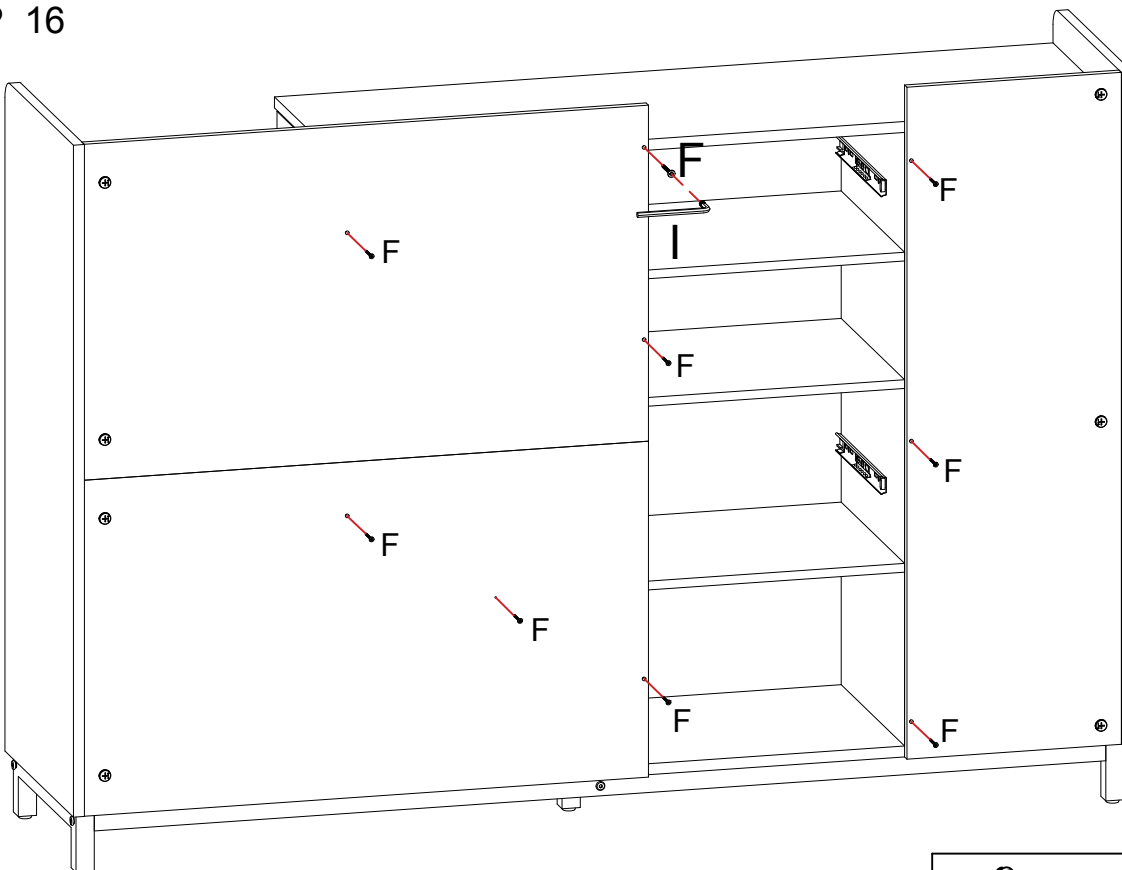
Assembly Instructions



STEP 15



		
B x 7pcs	C x 7pcs	L x 1pc

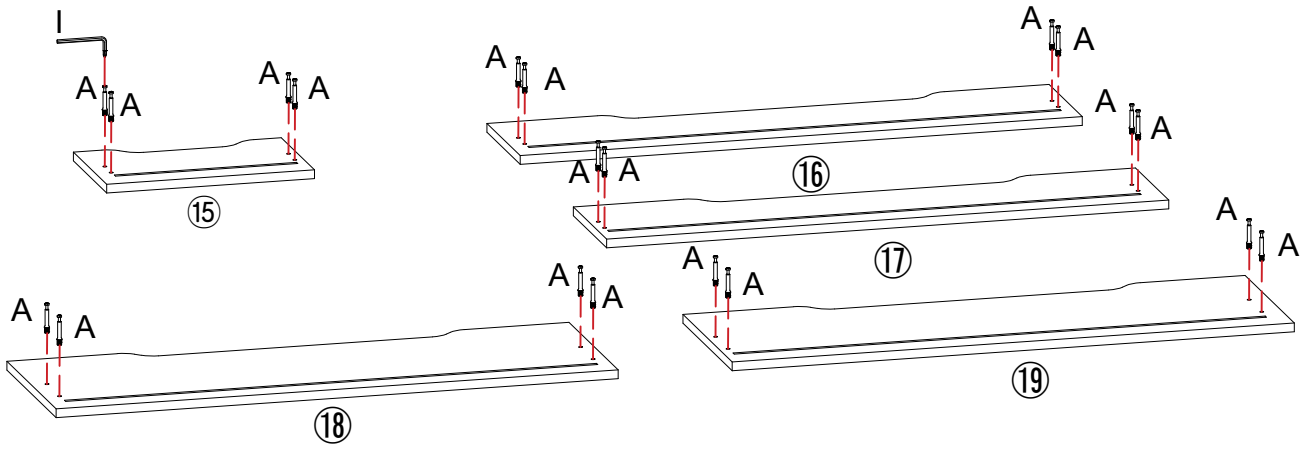
STEP 16

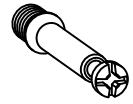



	
M4x25mm	
F x 9pcs	I x 1pc

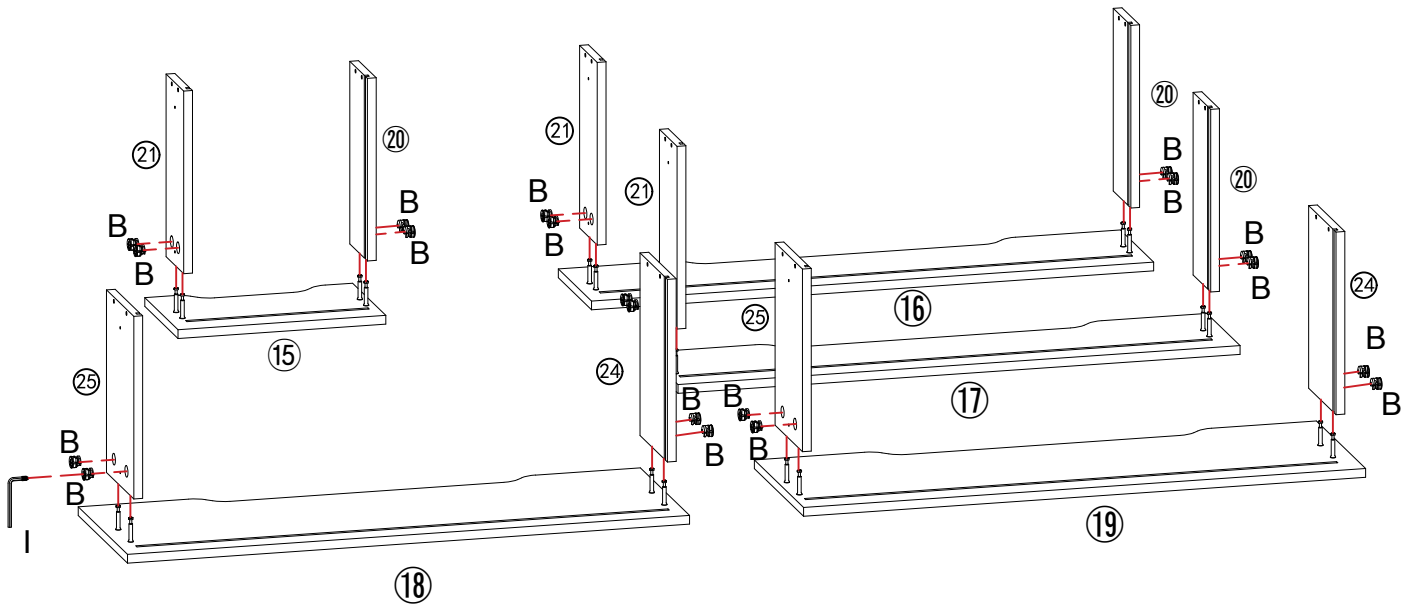
Assembly Instructions



STEP 17



	
A x 20pcs	I x 1pc

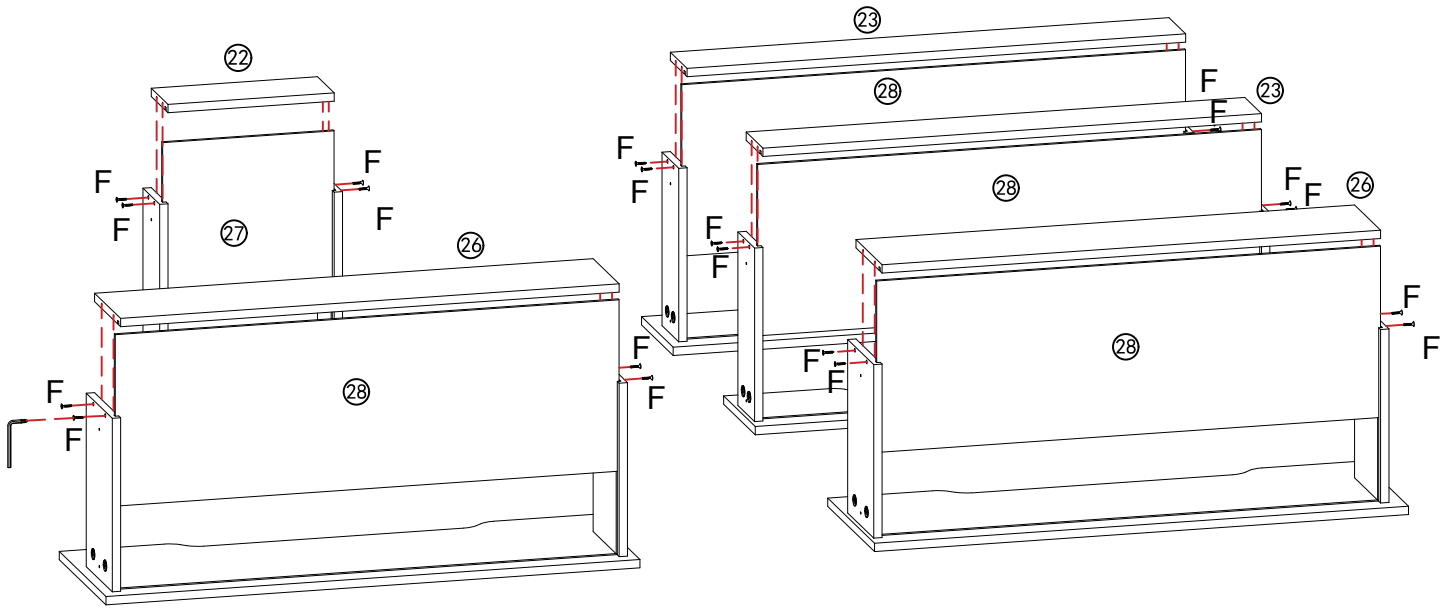
STEP 18





	
B x 20pcs	I x 1pc

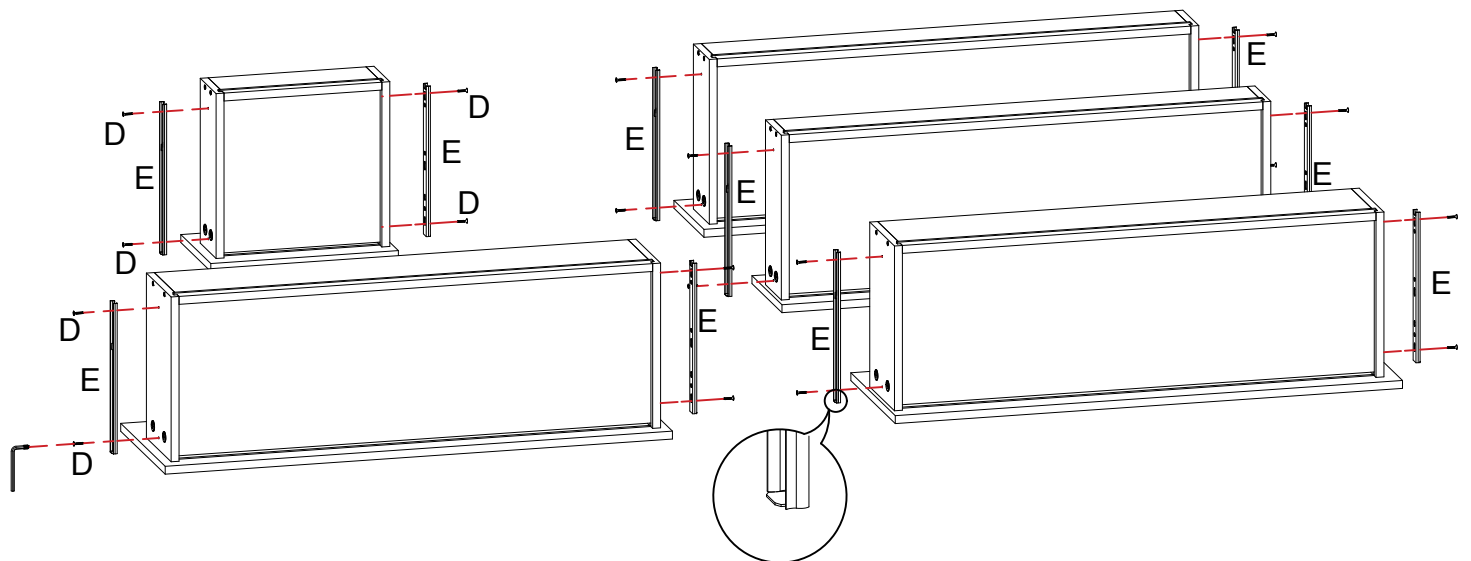
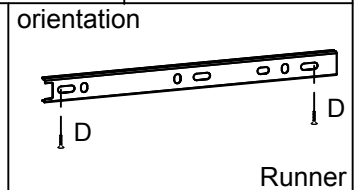
Assembly Instructions




STEP 19



	
M4x25mm	
F x 20pcs	l x 1pc

STEP 20



		
M3x12mm	Runner	
D x 20pcs	E x 10pcs	l x 1pc

Assembly Instructions

STEP 21

