

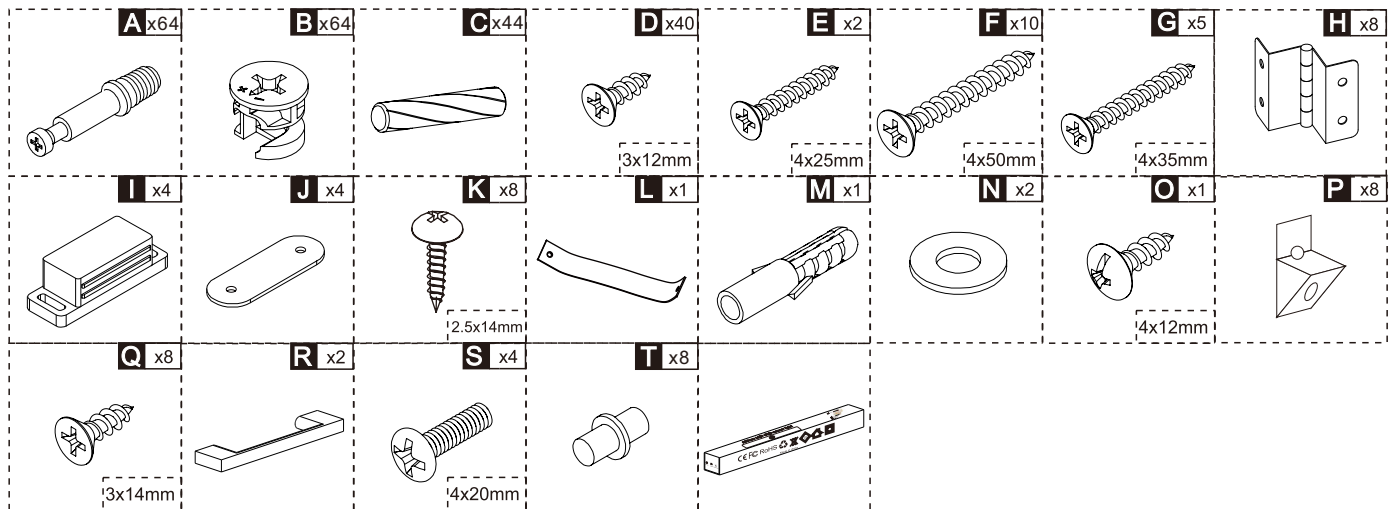
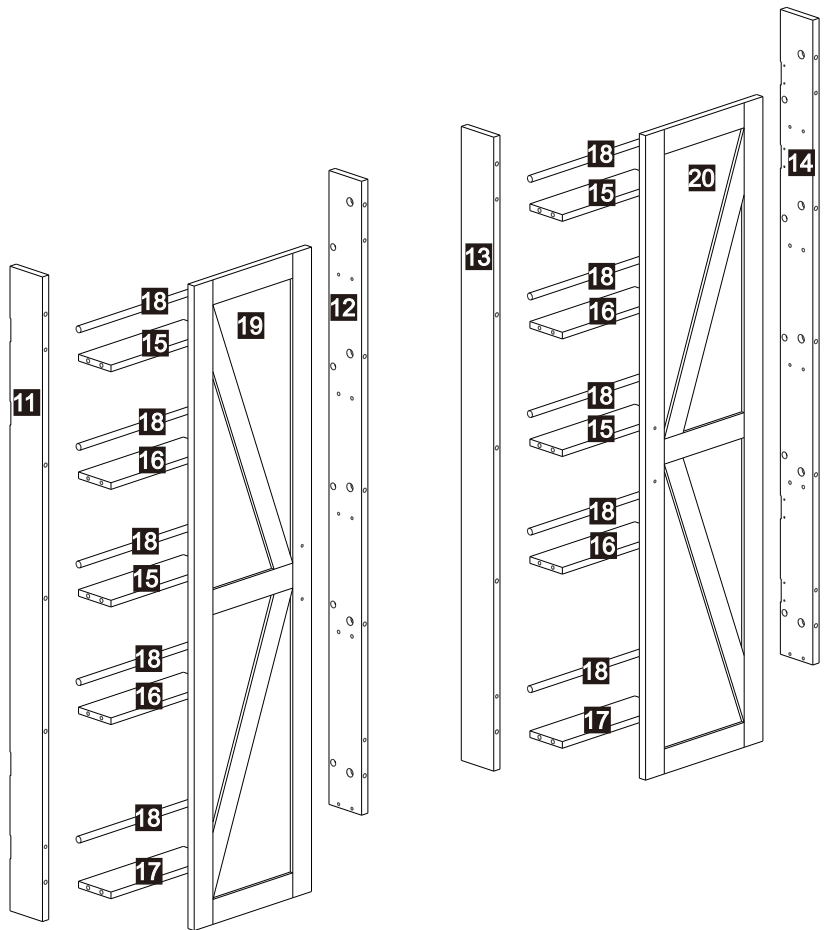
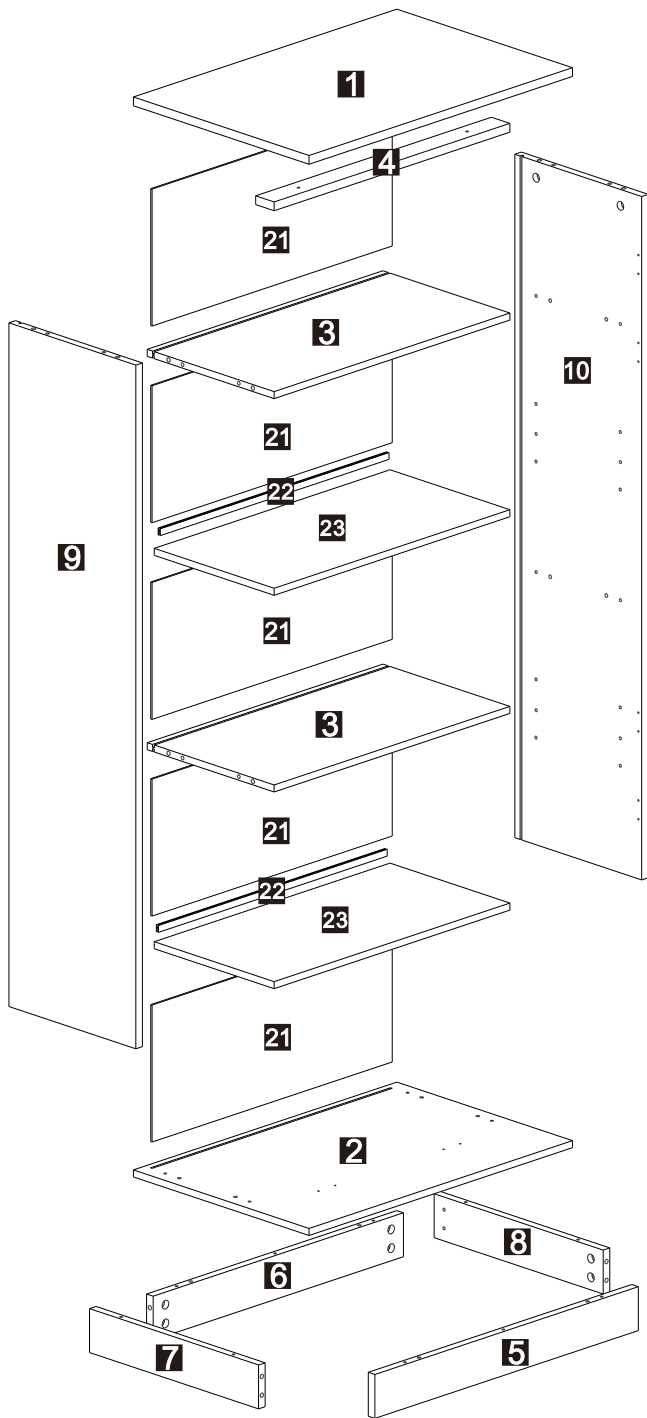
**Attention please :**

**Improper use of screws may cause the product surface damage!  
Please be careful when installing.**

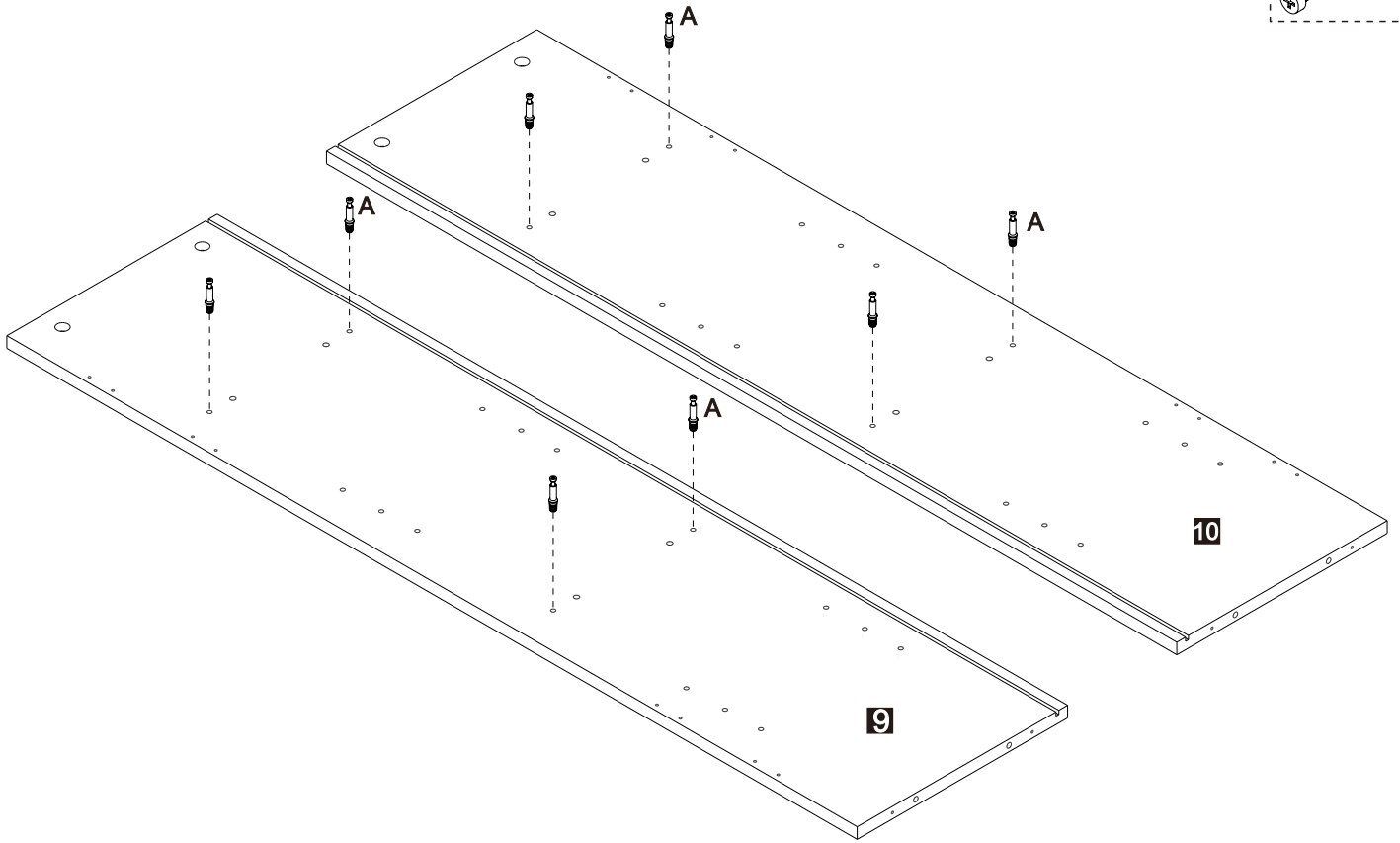
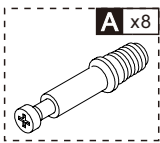
**To prevent you from confusing the accessories and boards, Please do not mix the parts of different units when you buy two or more products at the same time.**

**READ AND SAVE THIS INSTRUCTIONS FOR FUTURE USE**

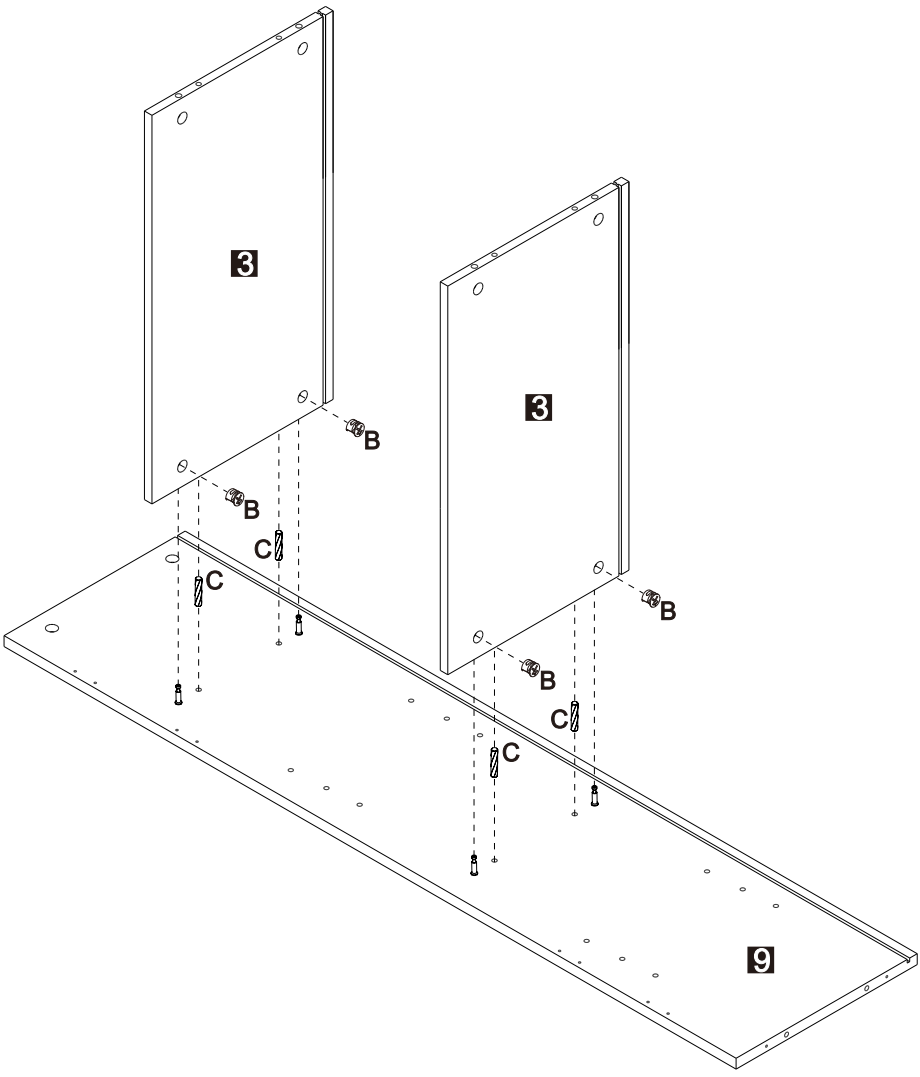
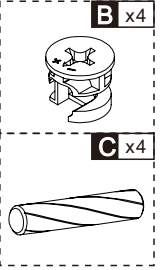
**ASSEMBLY & INSTRUCTION MANUAL**



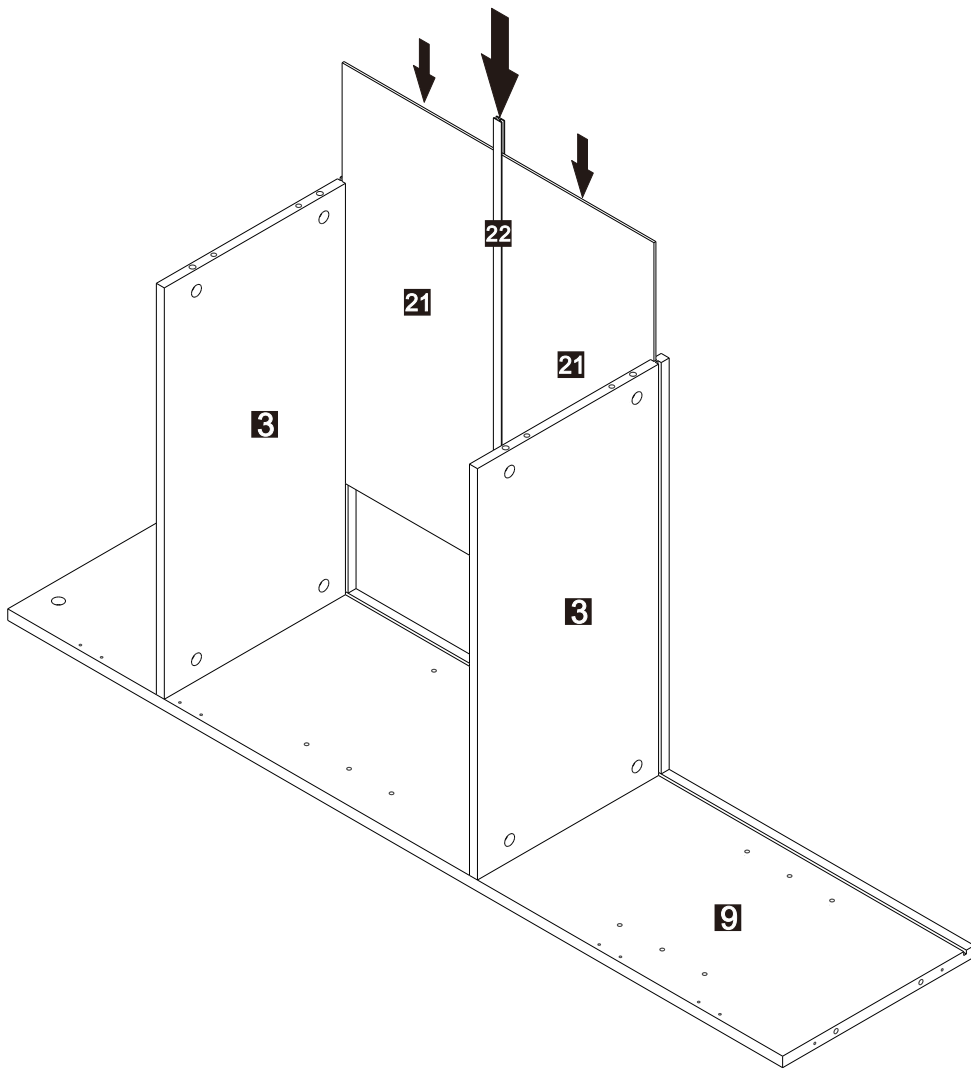
1



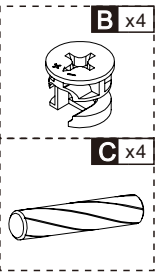
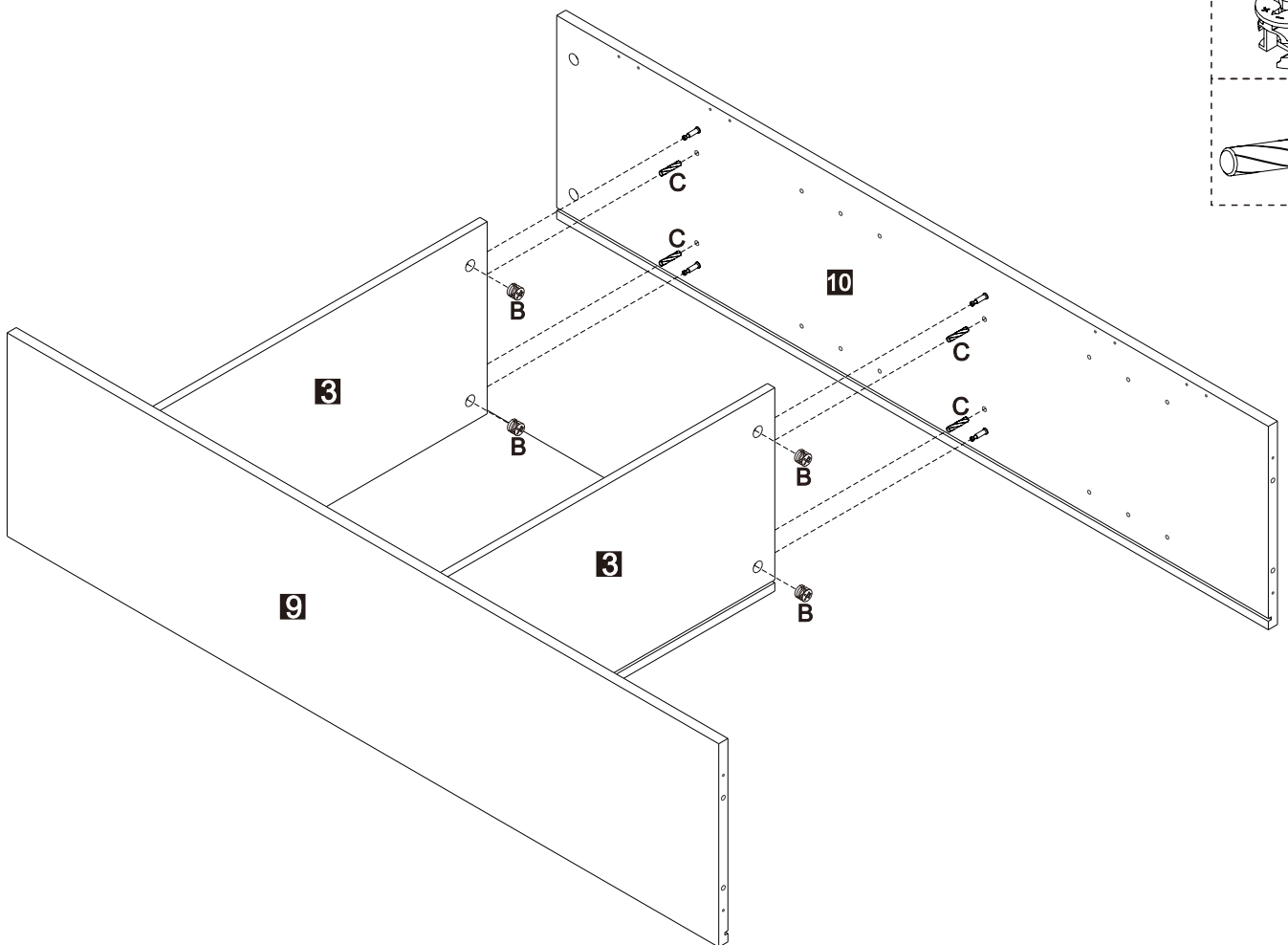
2



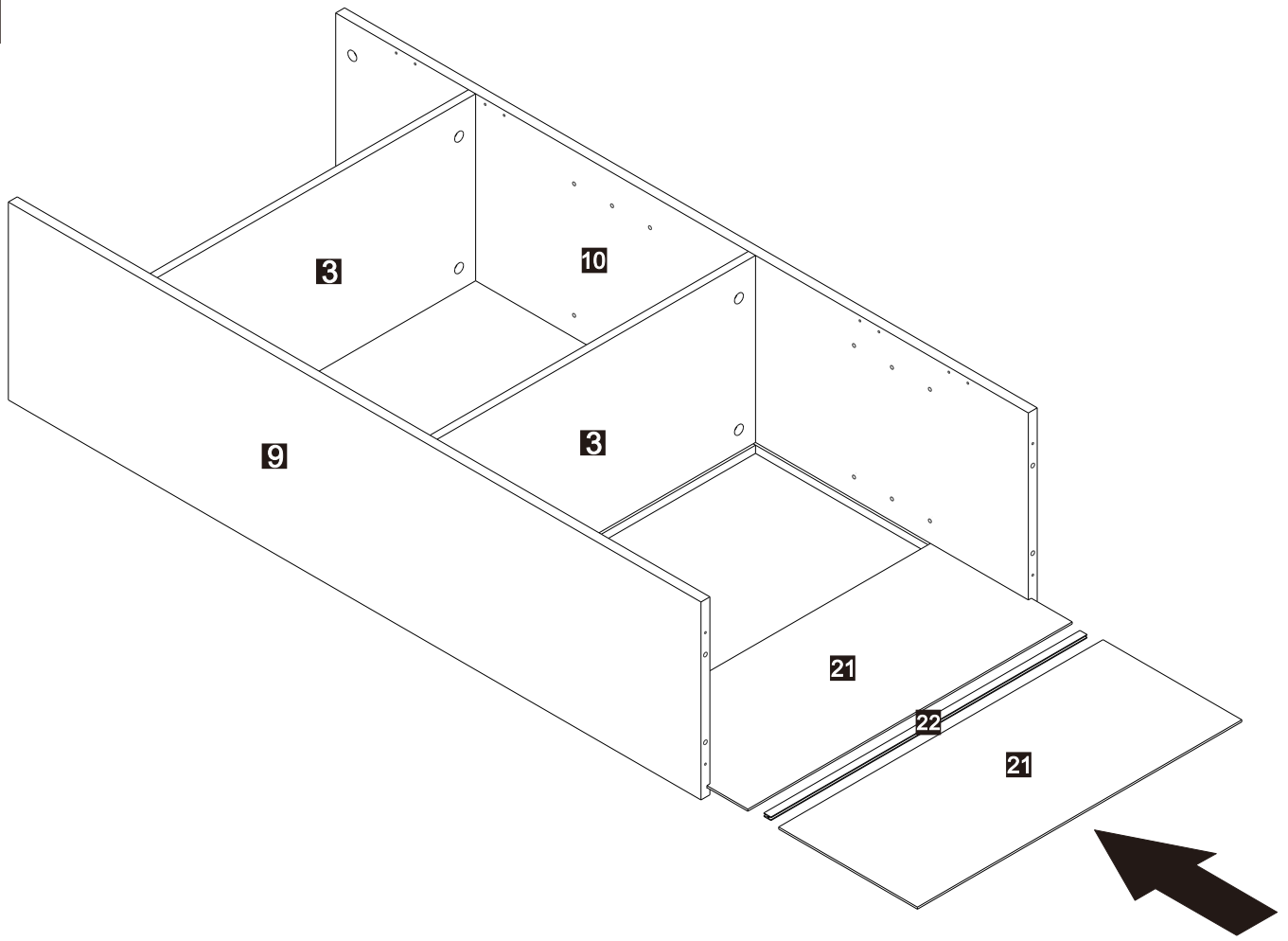
3



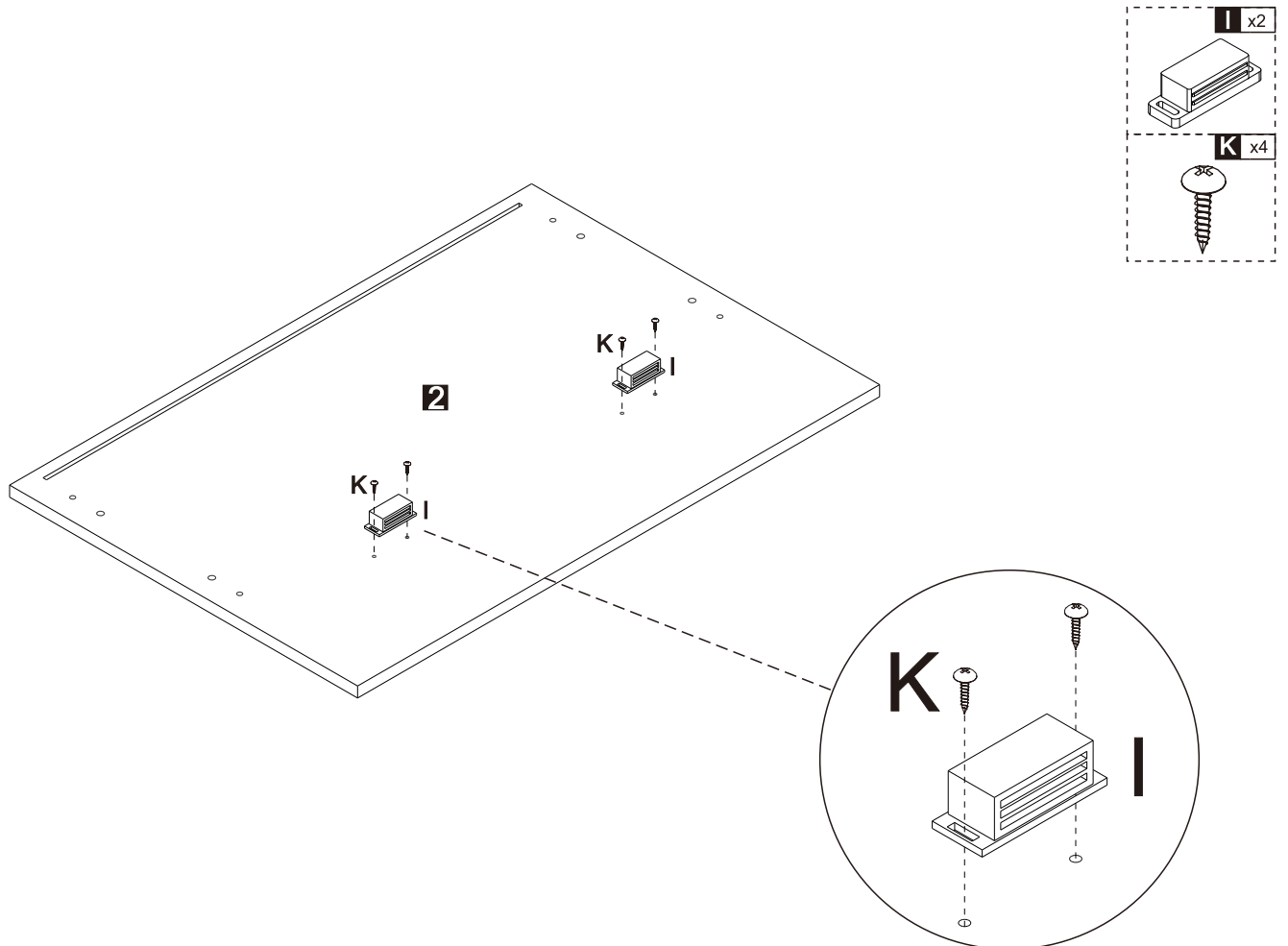
4



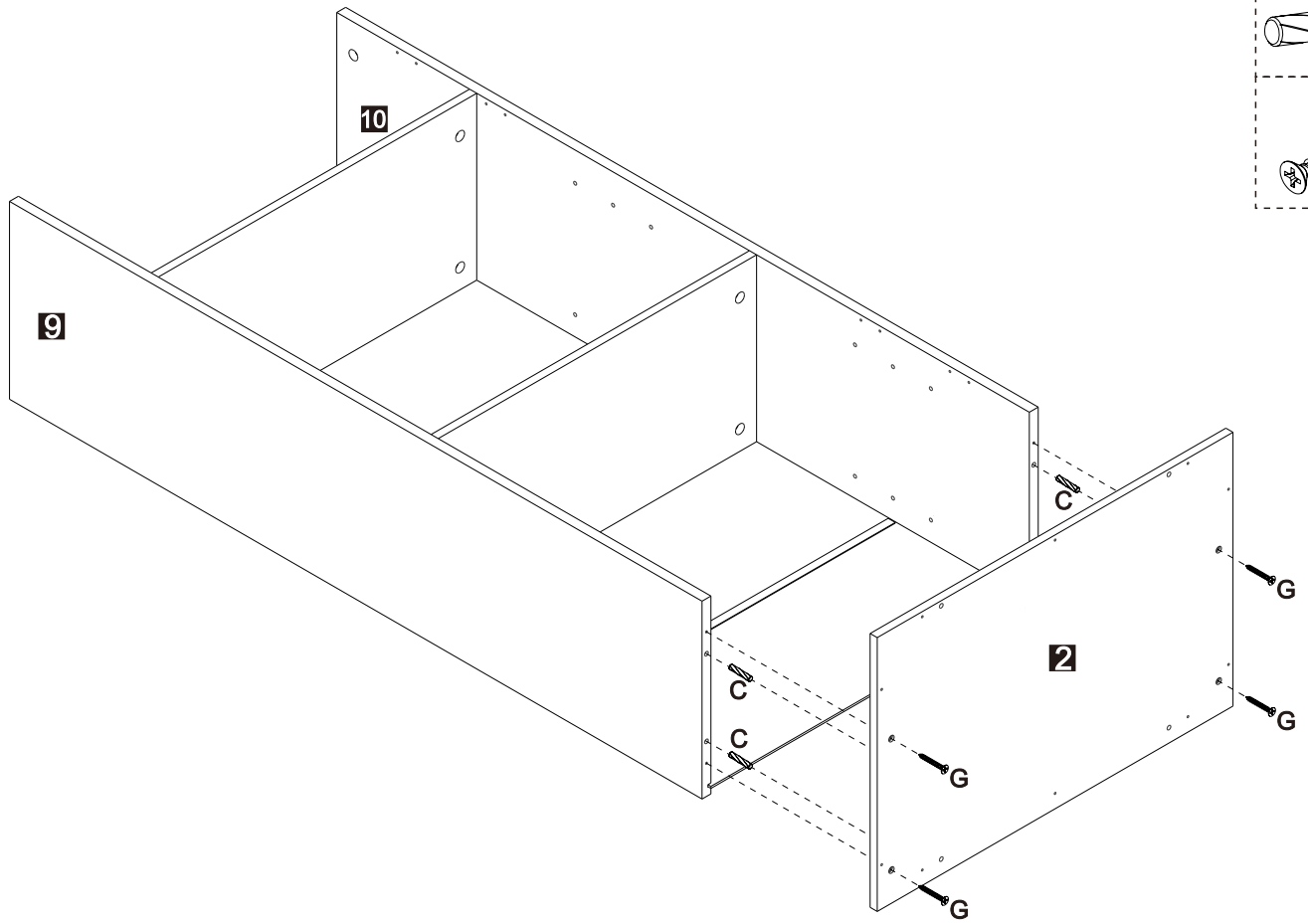
5



6



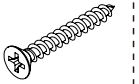
7



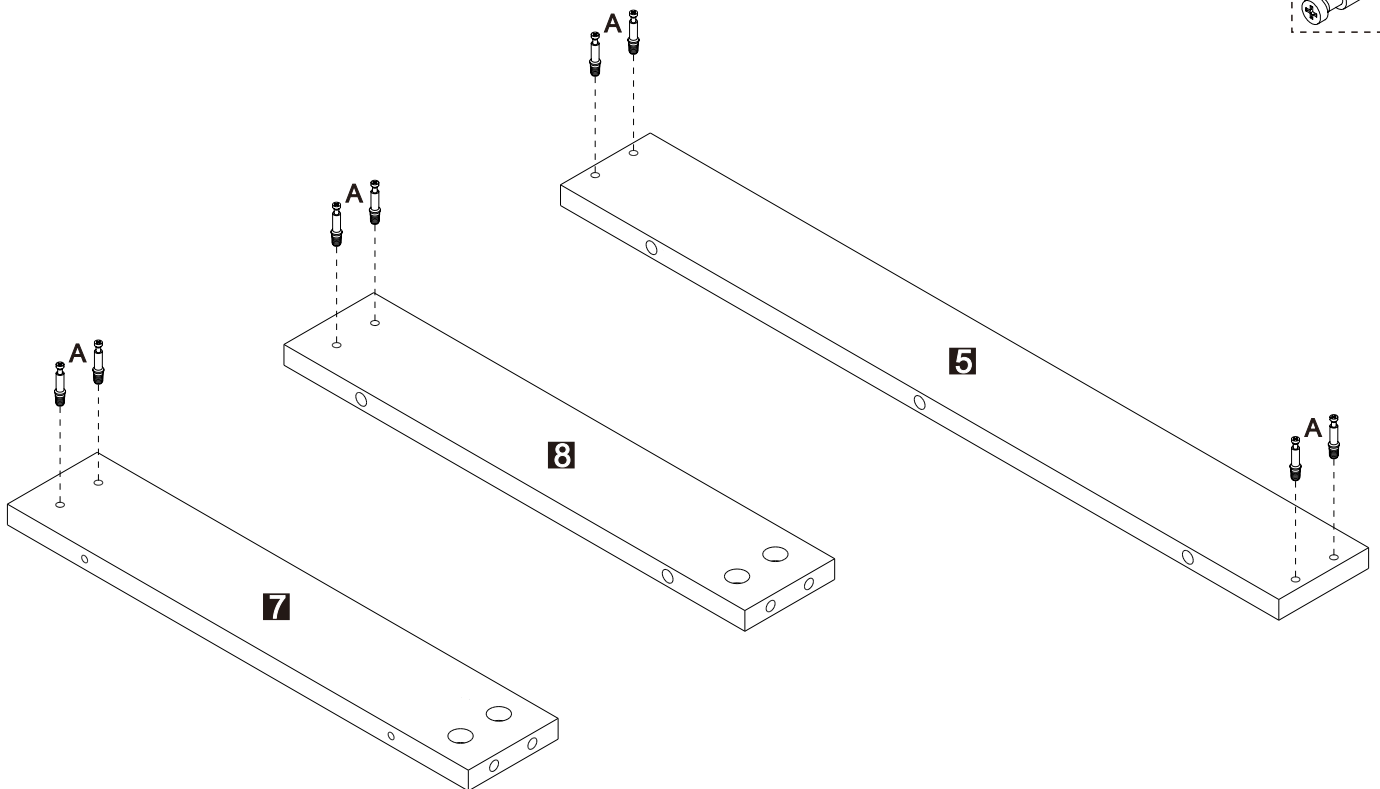
C x4



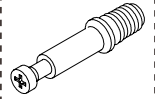
G x4



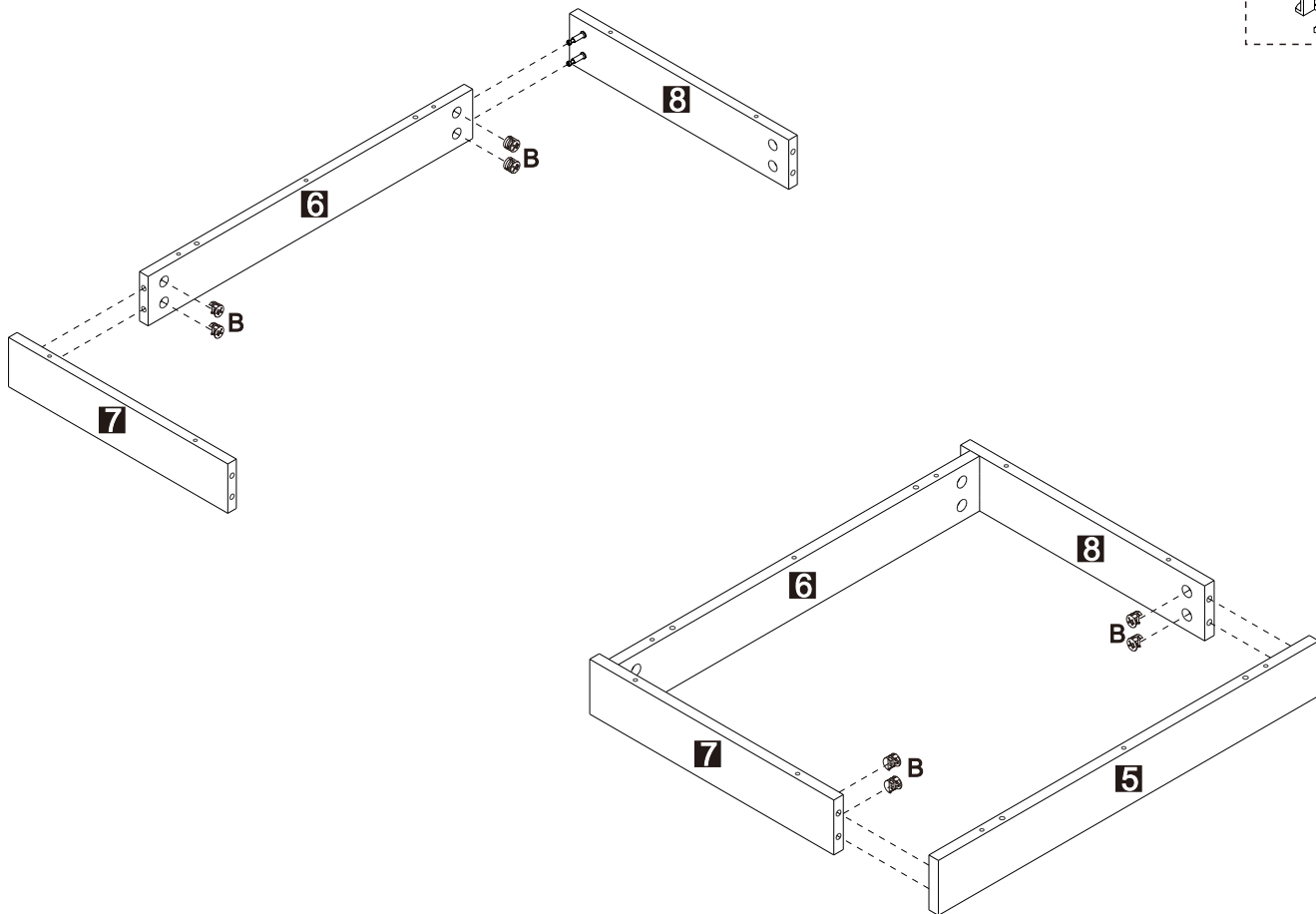
8



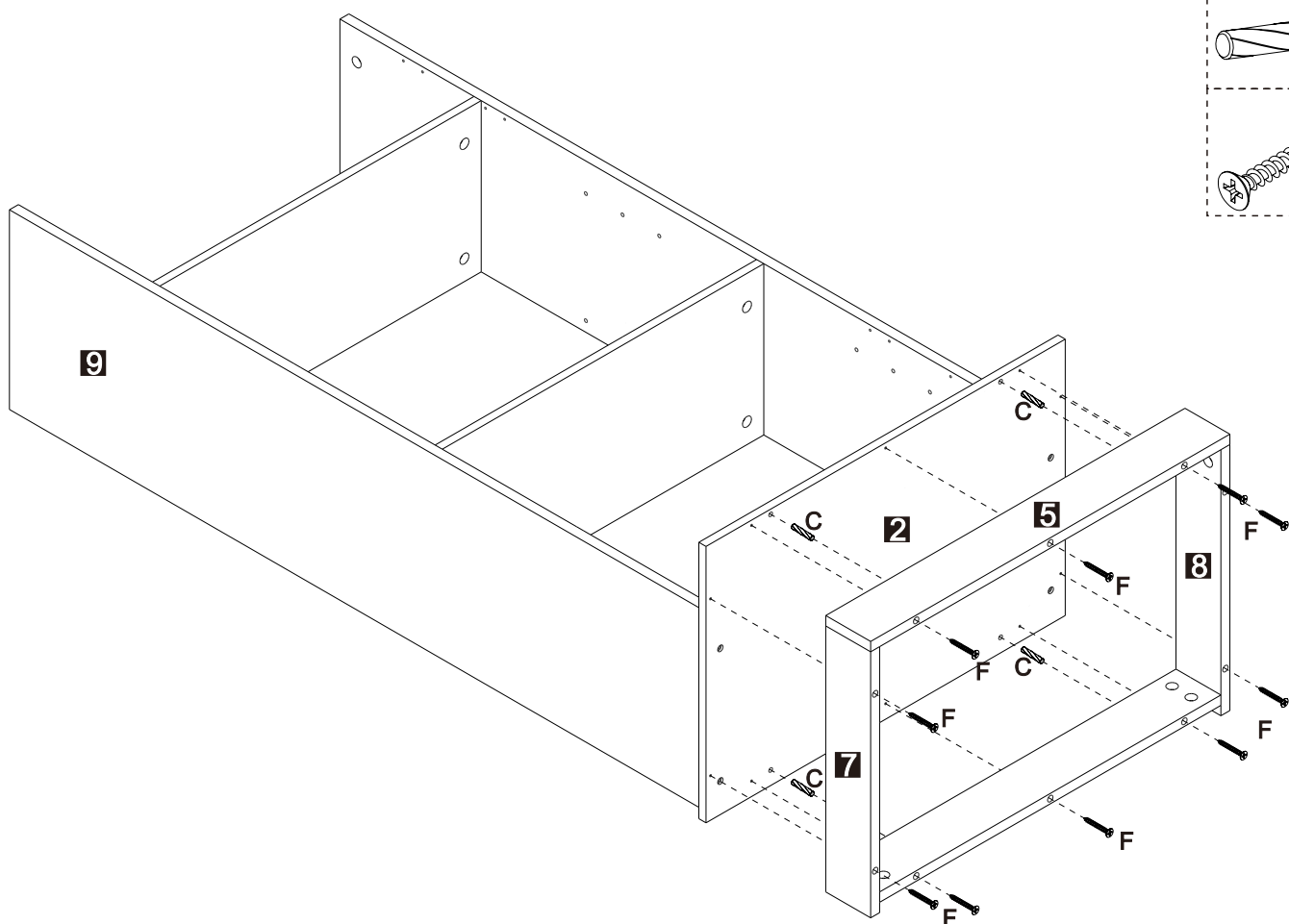
A x8



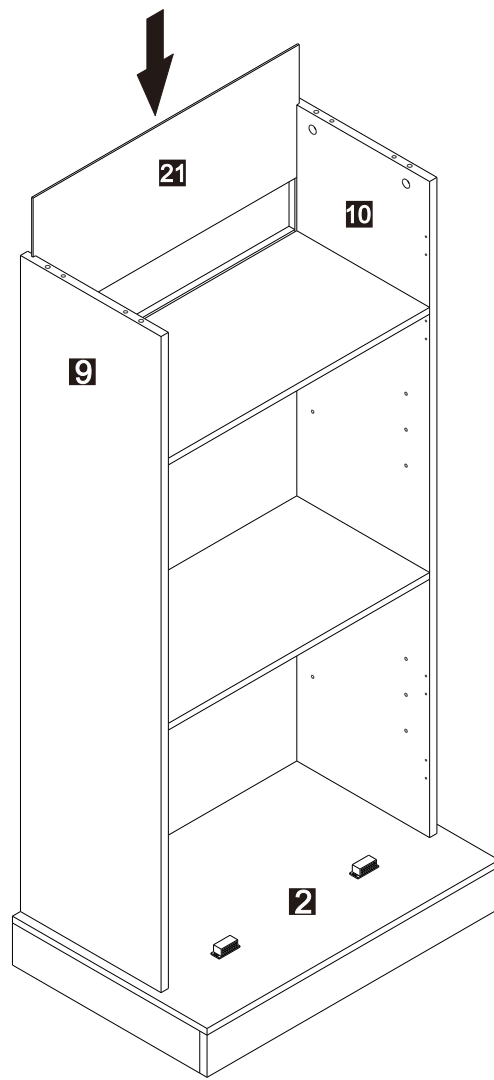
9



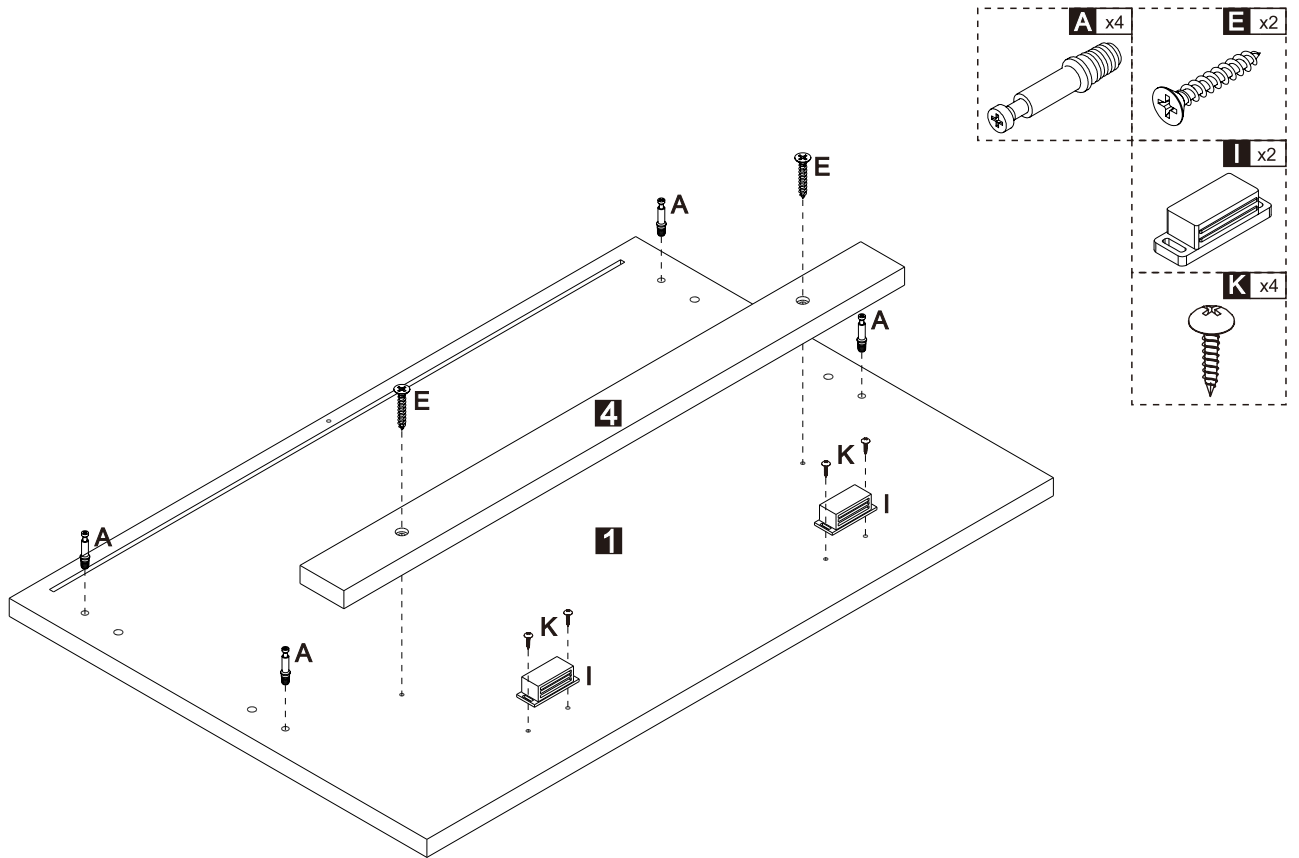
10



11

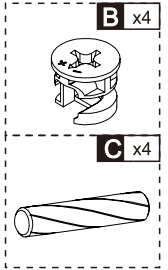
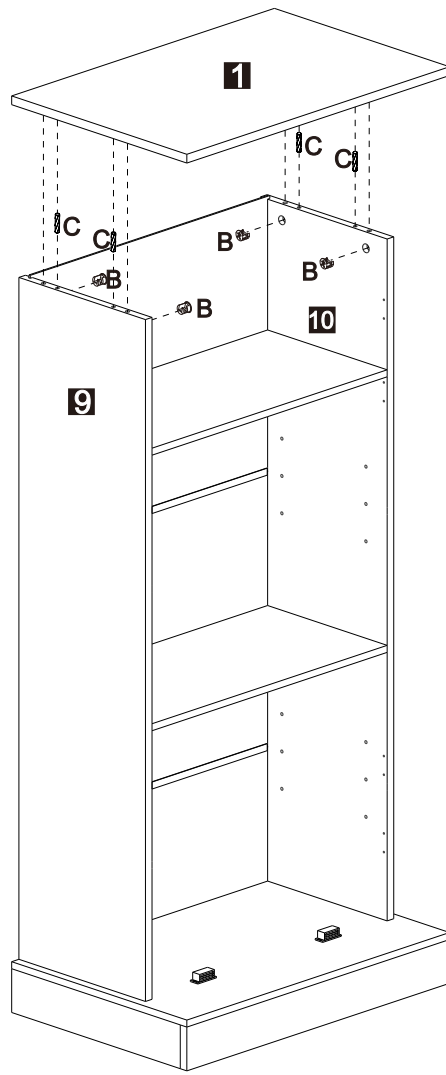


12

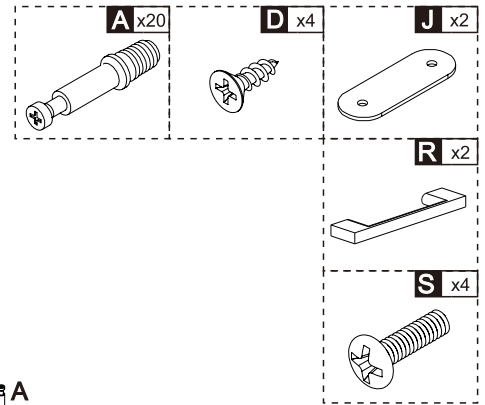
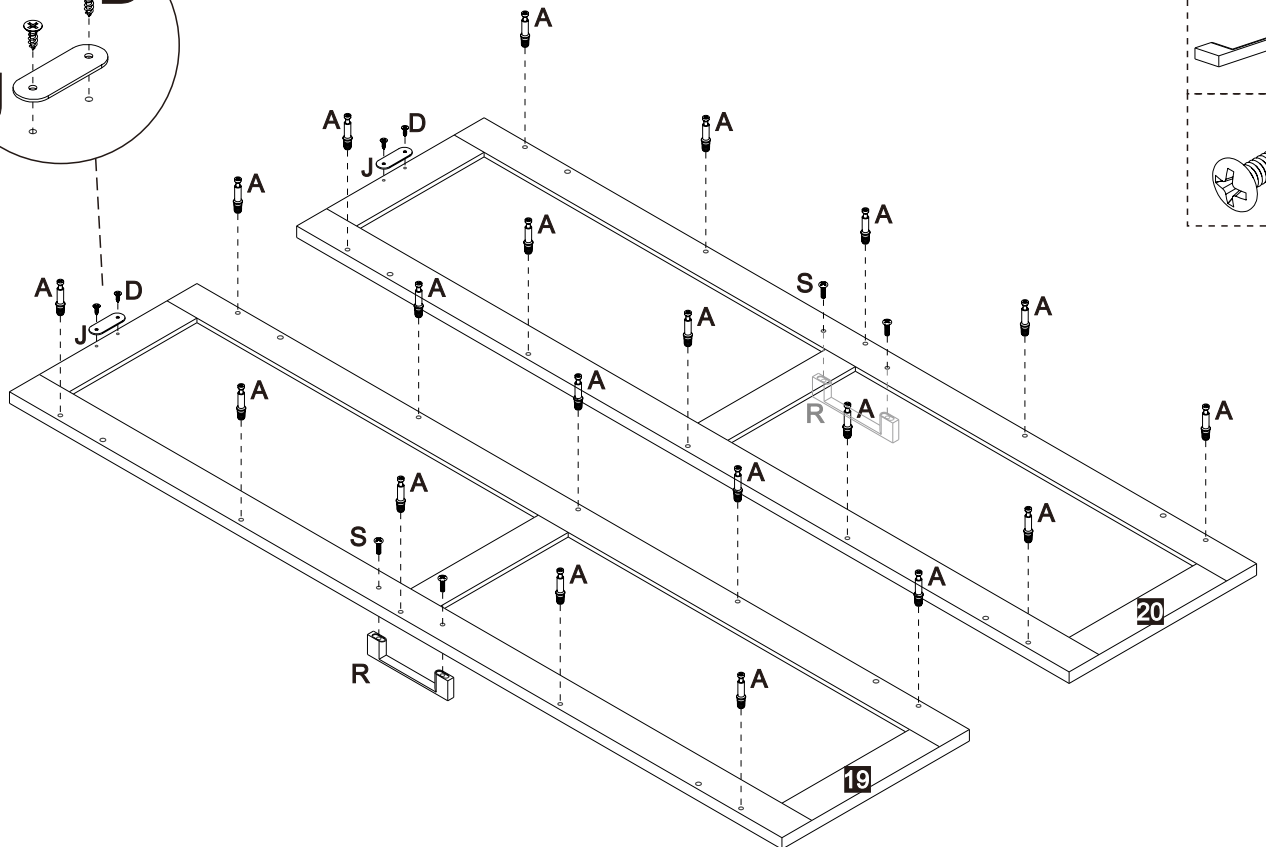
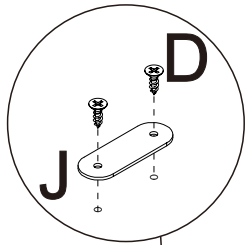




13



14

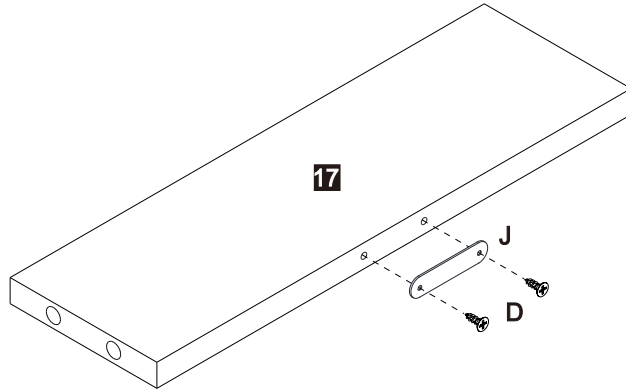


15

D x4



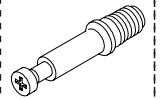
J x2



x2

16

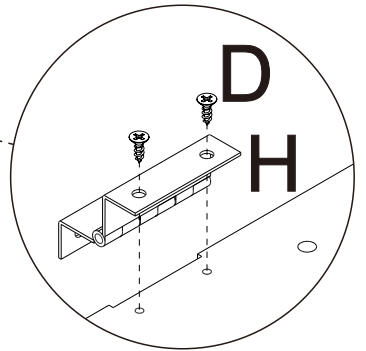
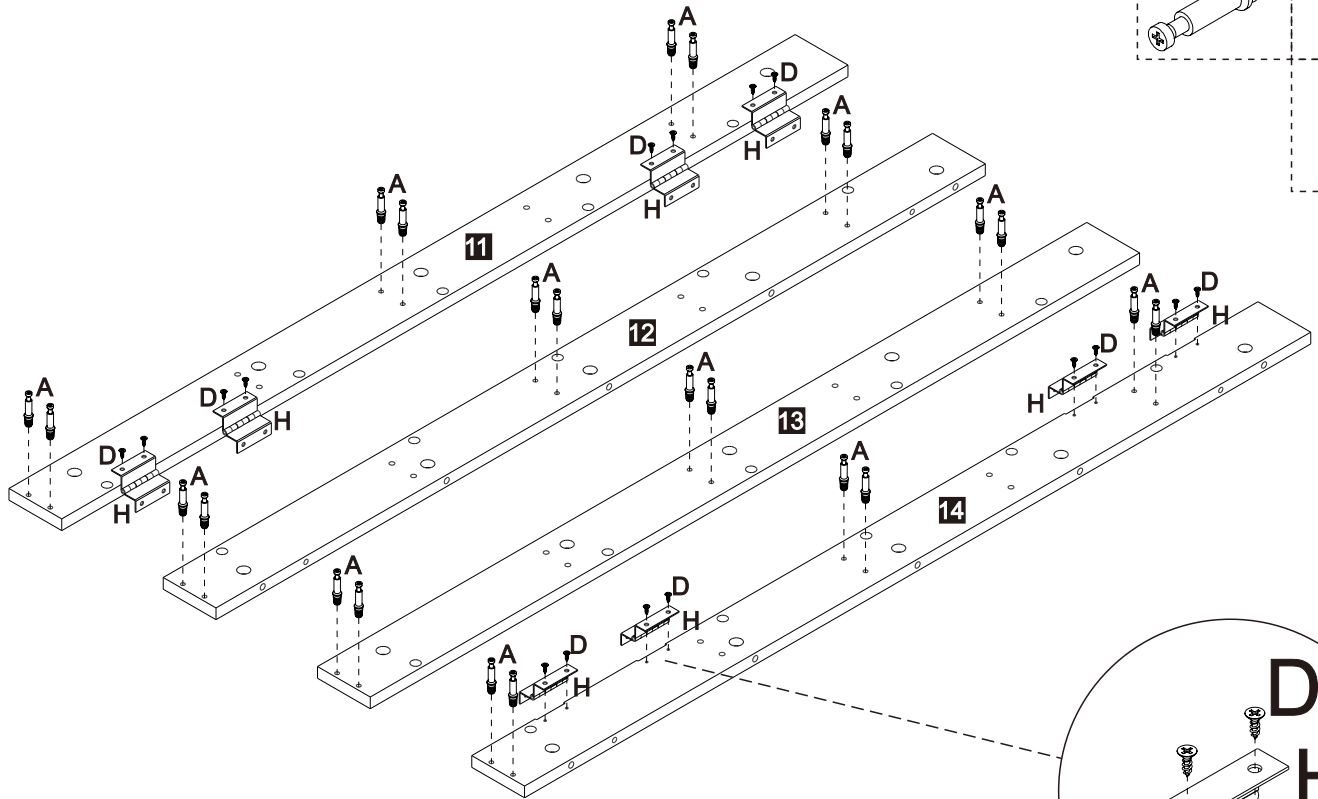
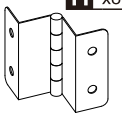
A x24



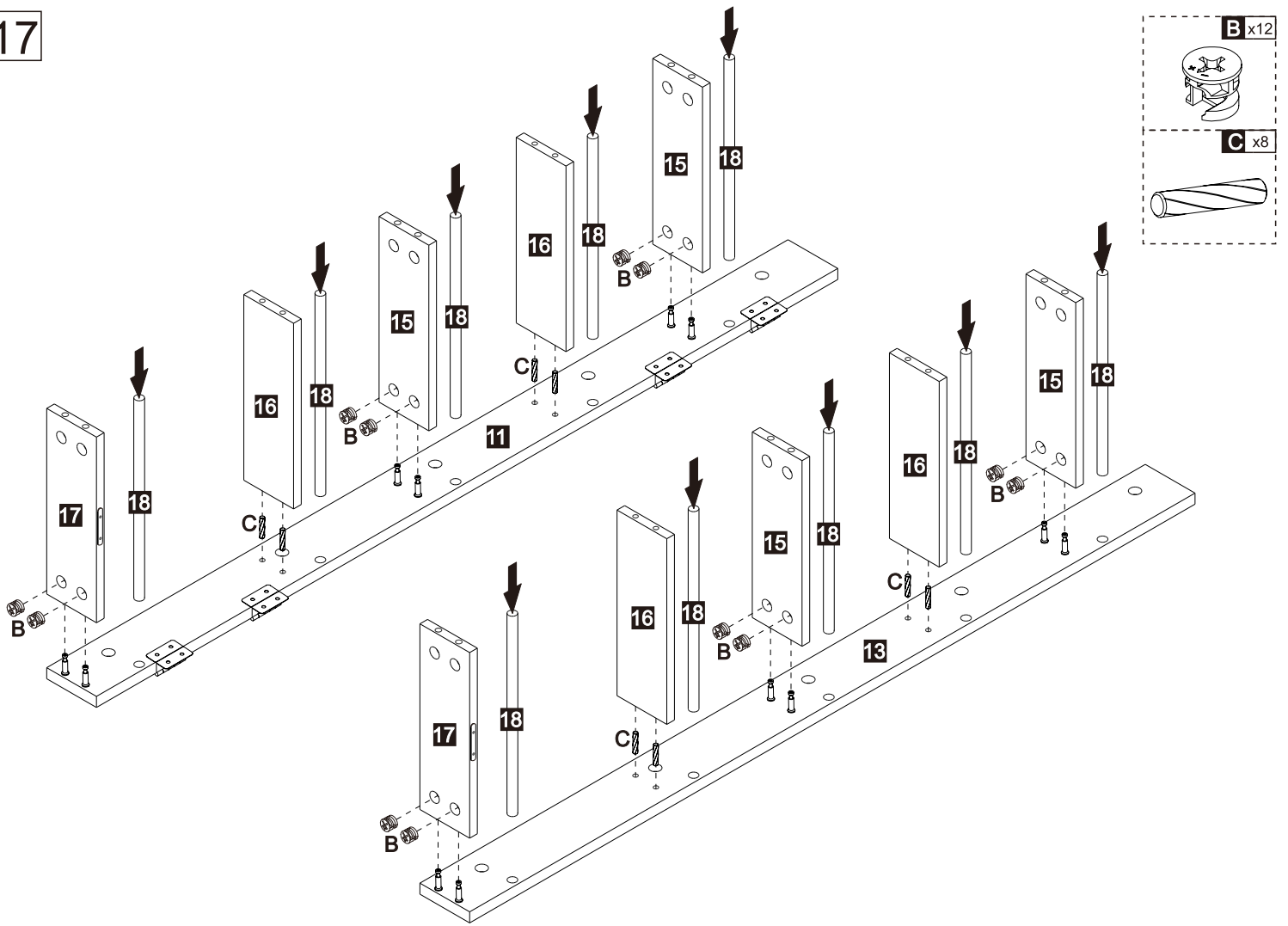
D x16



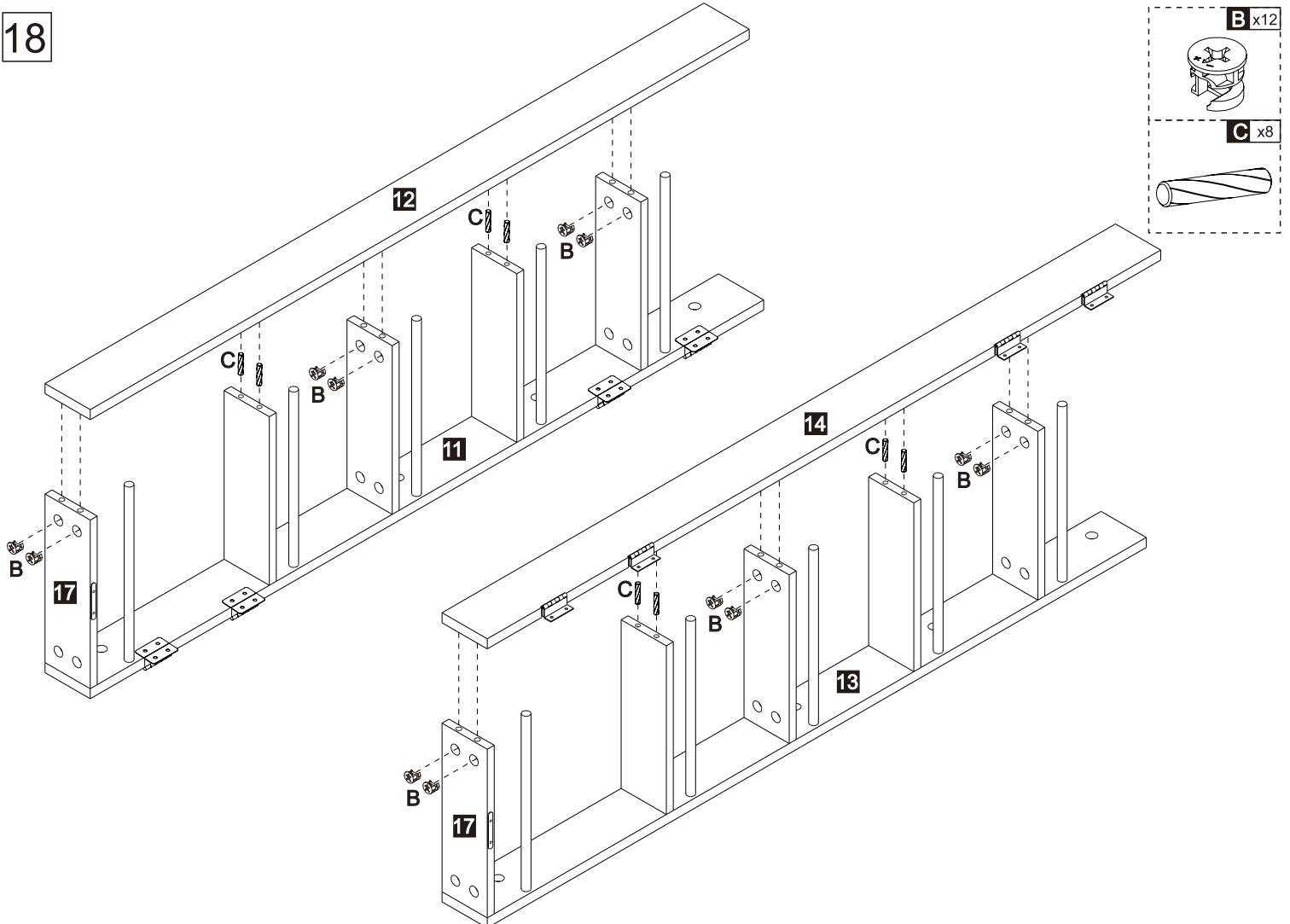
H x8



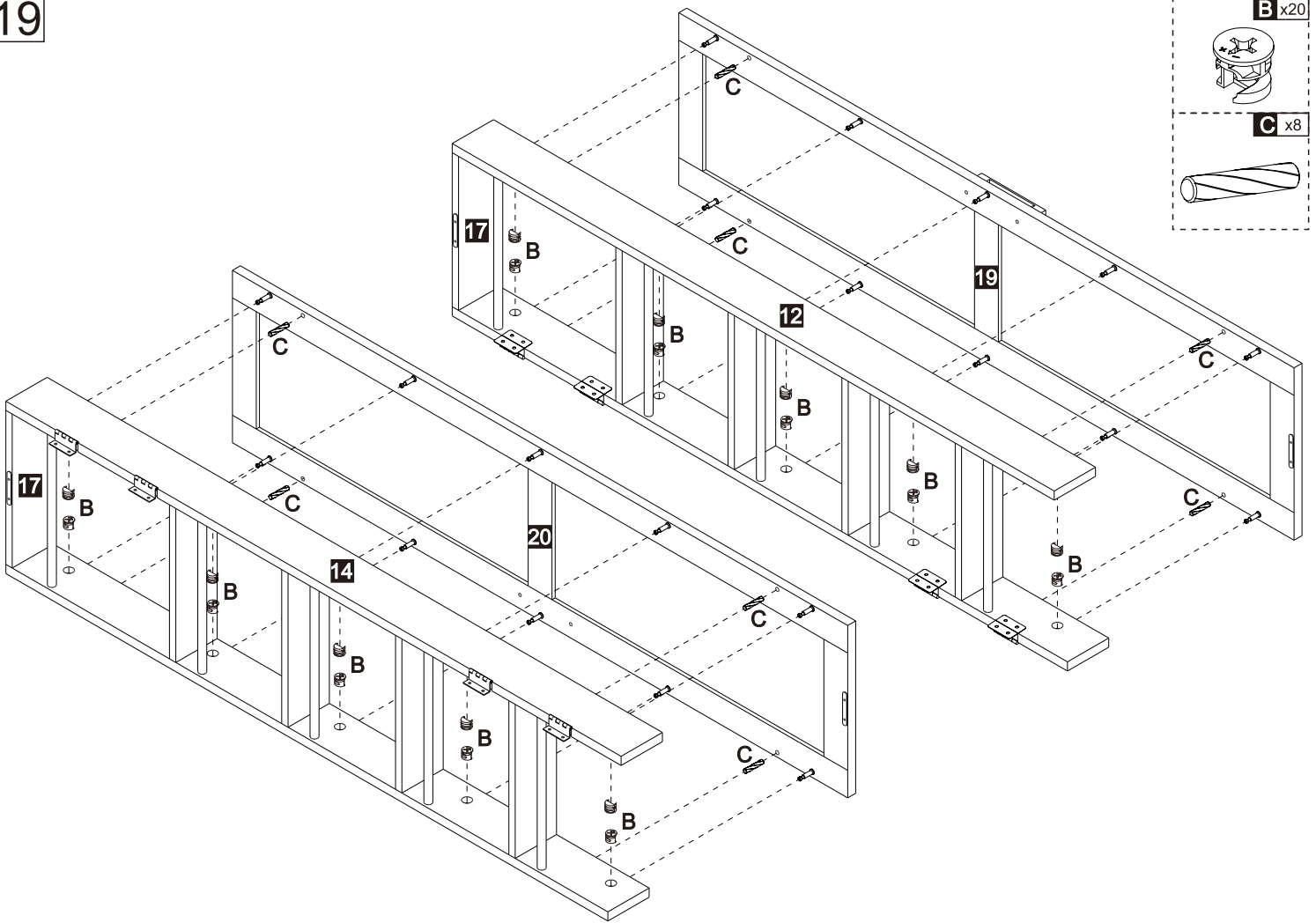
17



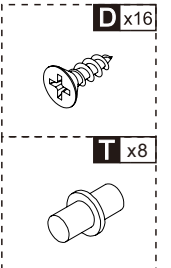
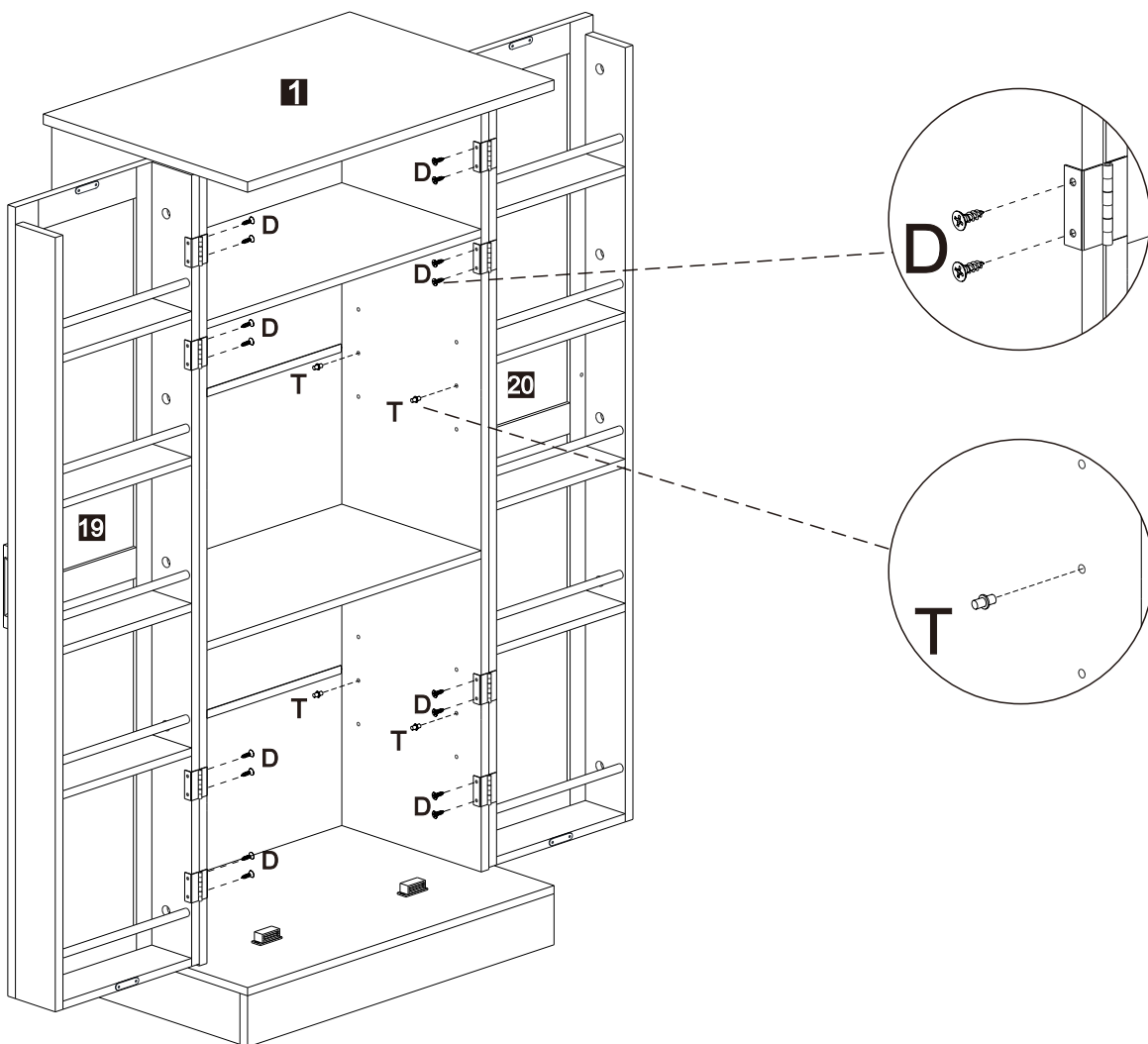
18



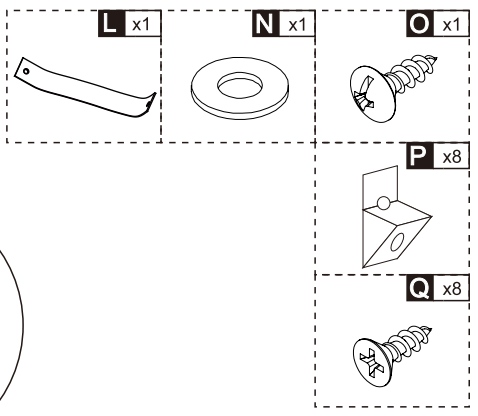
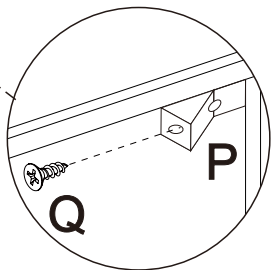
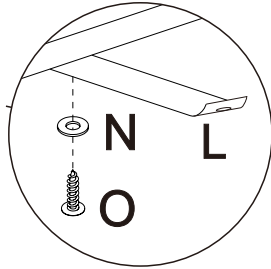
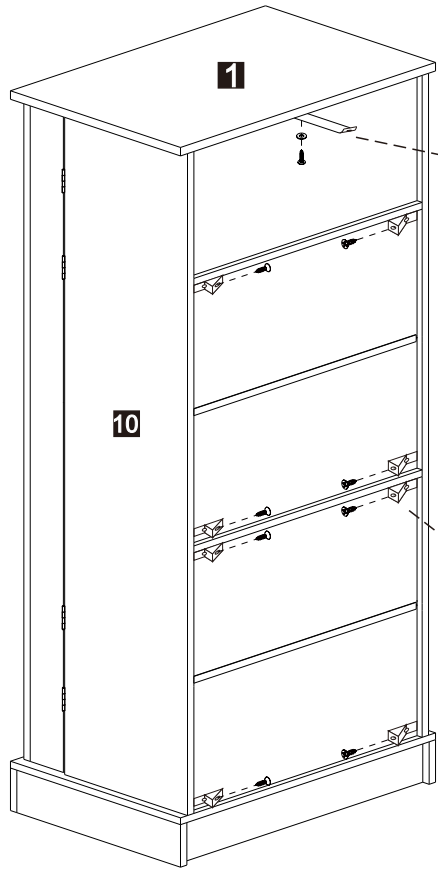
19



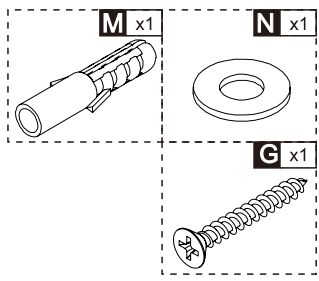
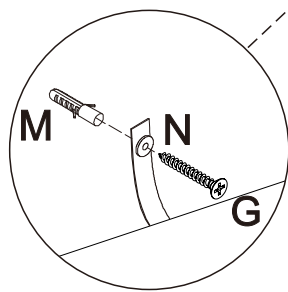
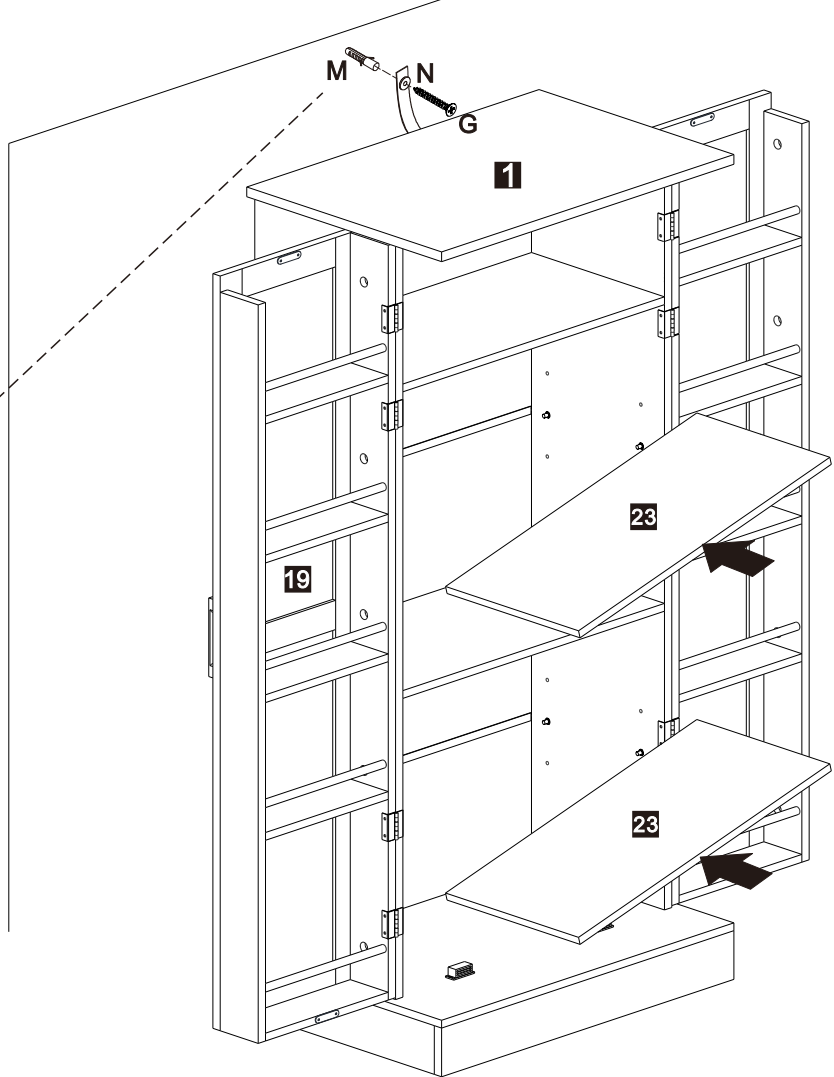
20

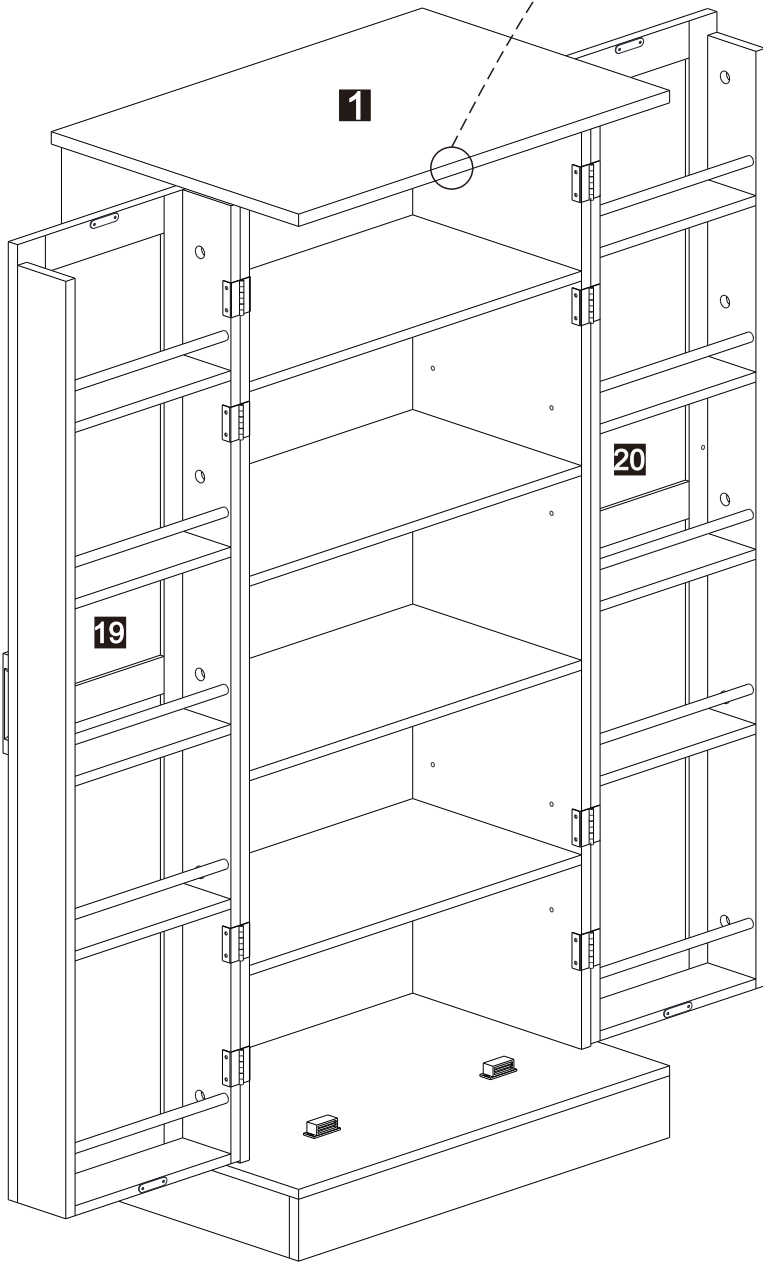


21

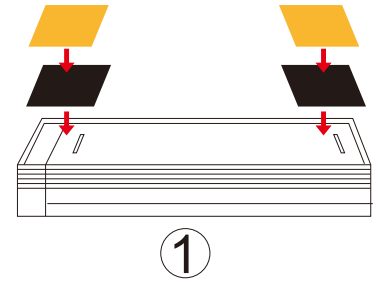


22

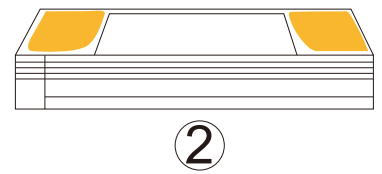




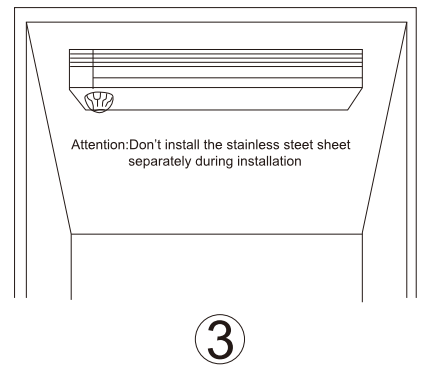
① Install the magnet and stainless steel shoot in sequence as shown in the figure



② Tear the glue off the stainless steel sheet



③ Align where you want to install it, stick it on and press it tight.



④ Removed at any time when changing

