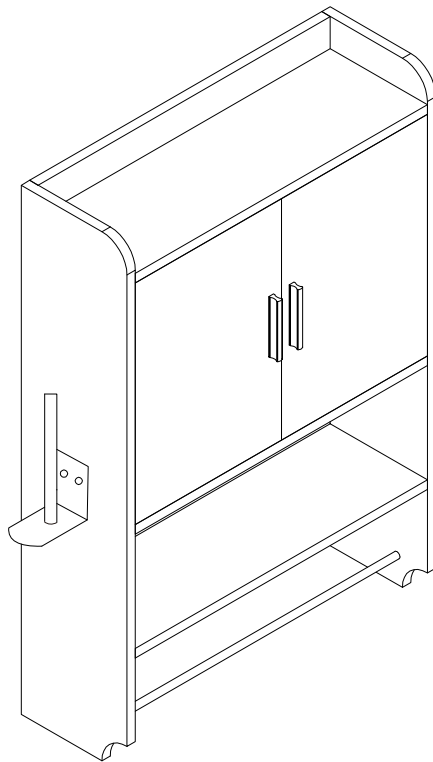
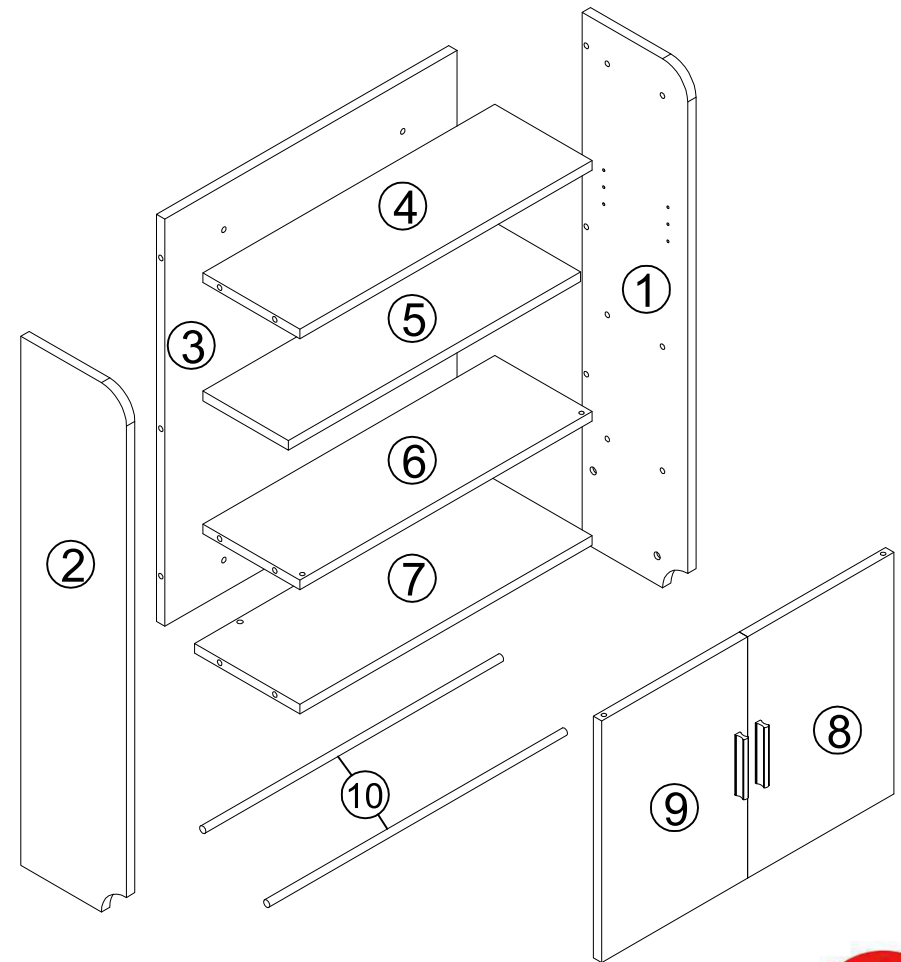



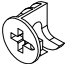



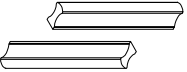
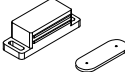

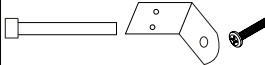
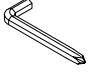
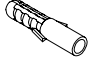



# Instruction manual

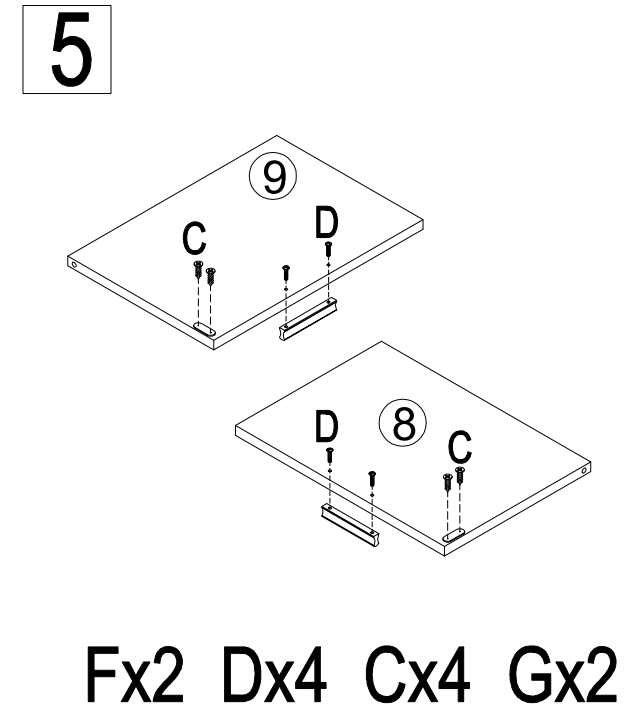
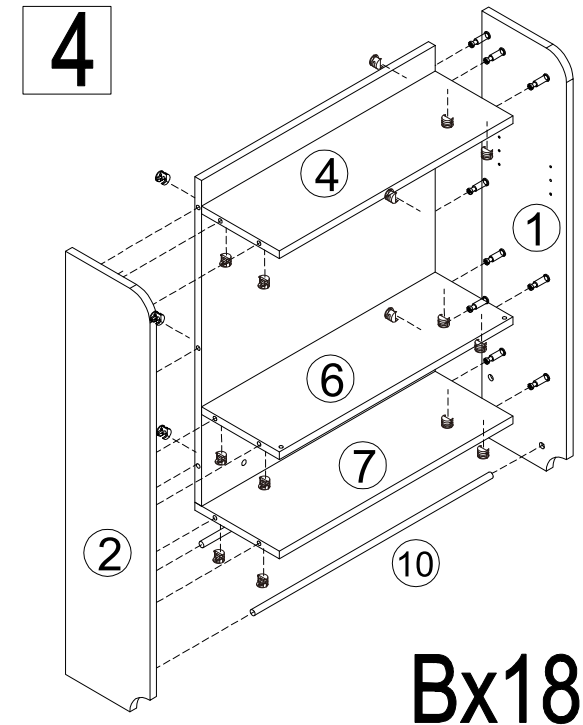
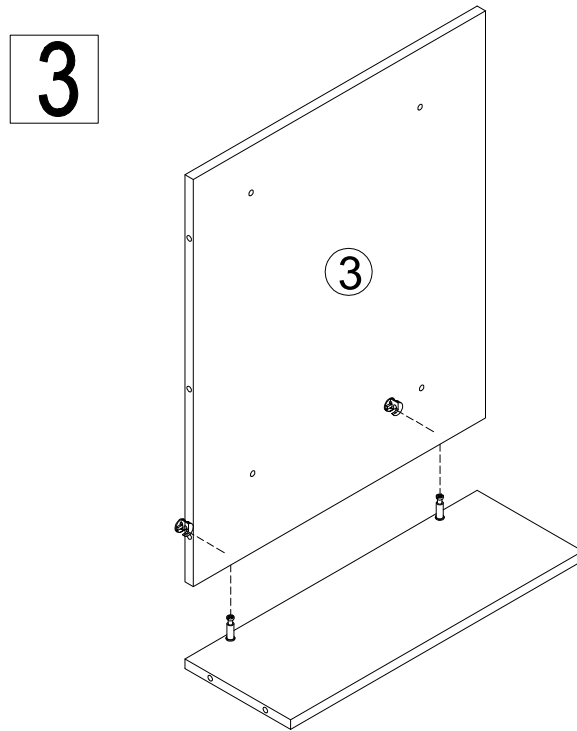
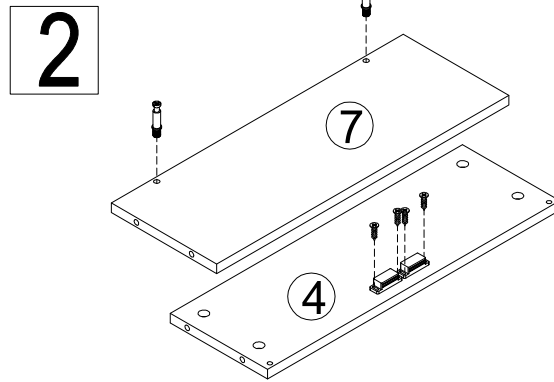
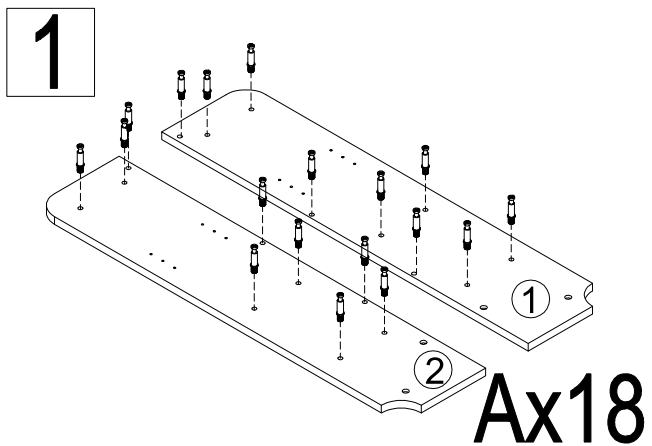


# Explosion diagram

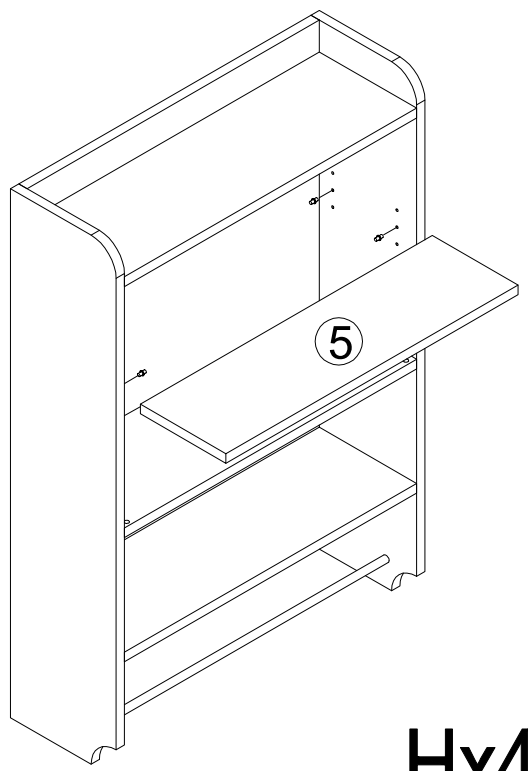


No climbing

A			20
B			20
C		M3.5x12	8
D		M4x16	4
E			4
F			2
G			2
H			4
I		M6x16	1
J			1
K	  	M5x60	4
L		M3x12	2

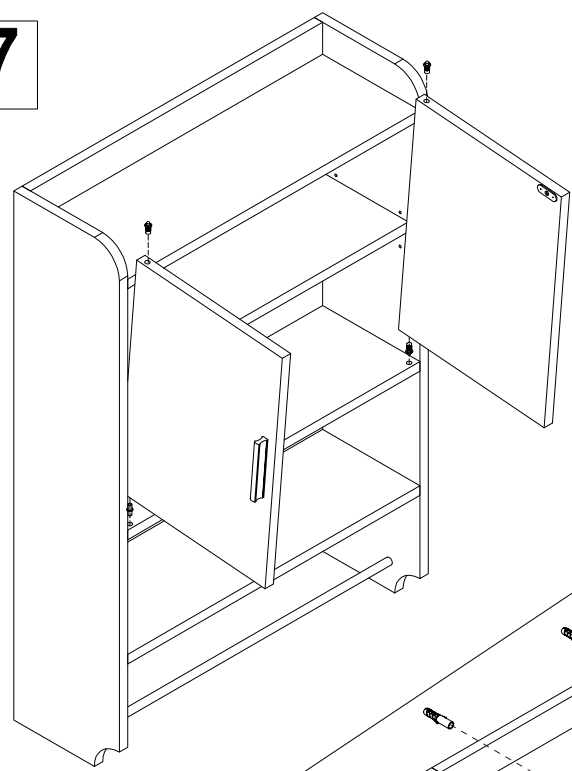


6

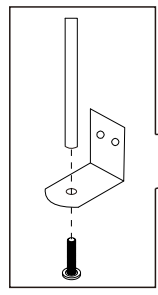


Hx4

7



Ex4



Lx2 lx1 Kx4

