

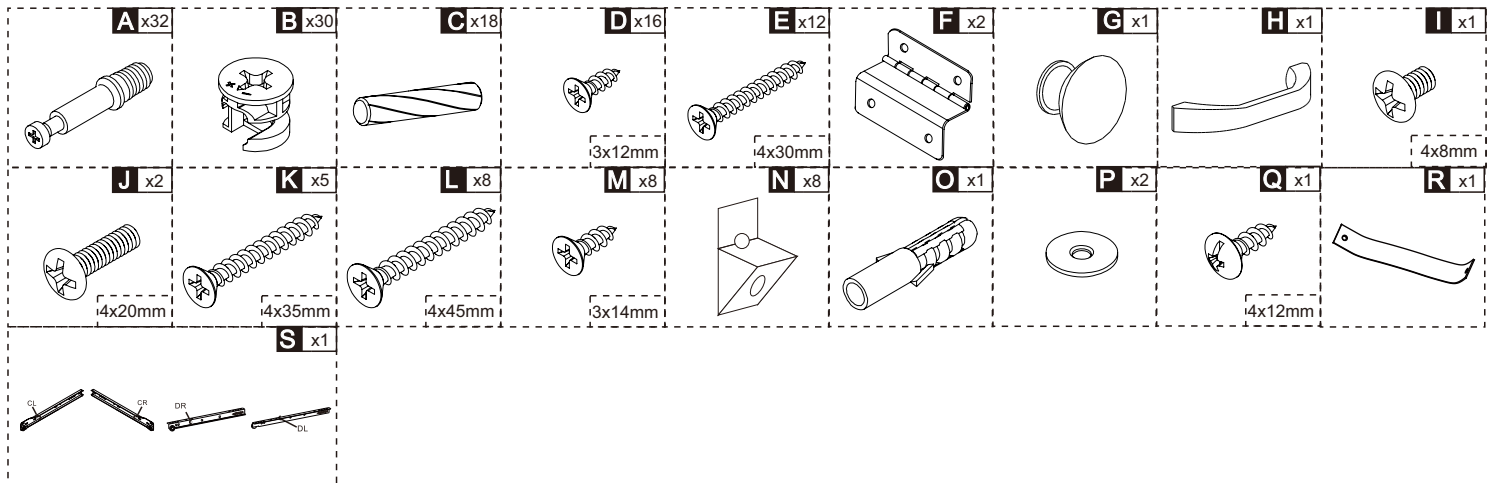
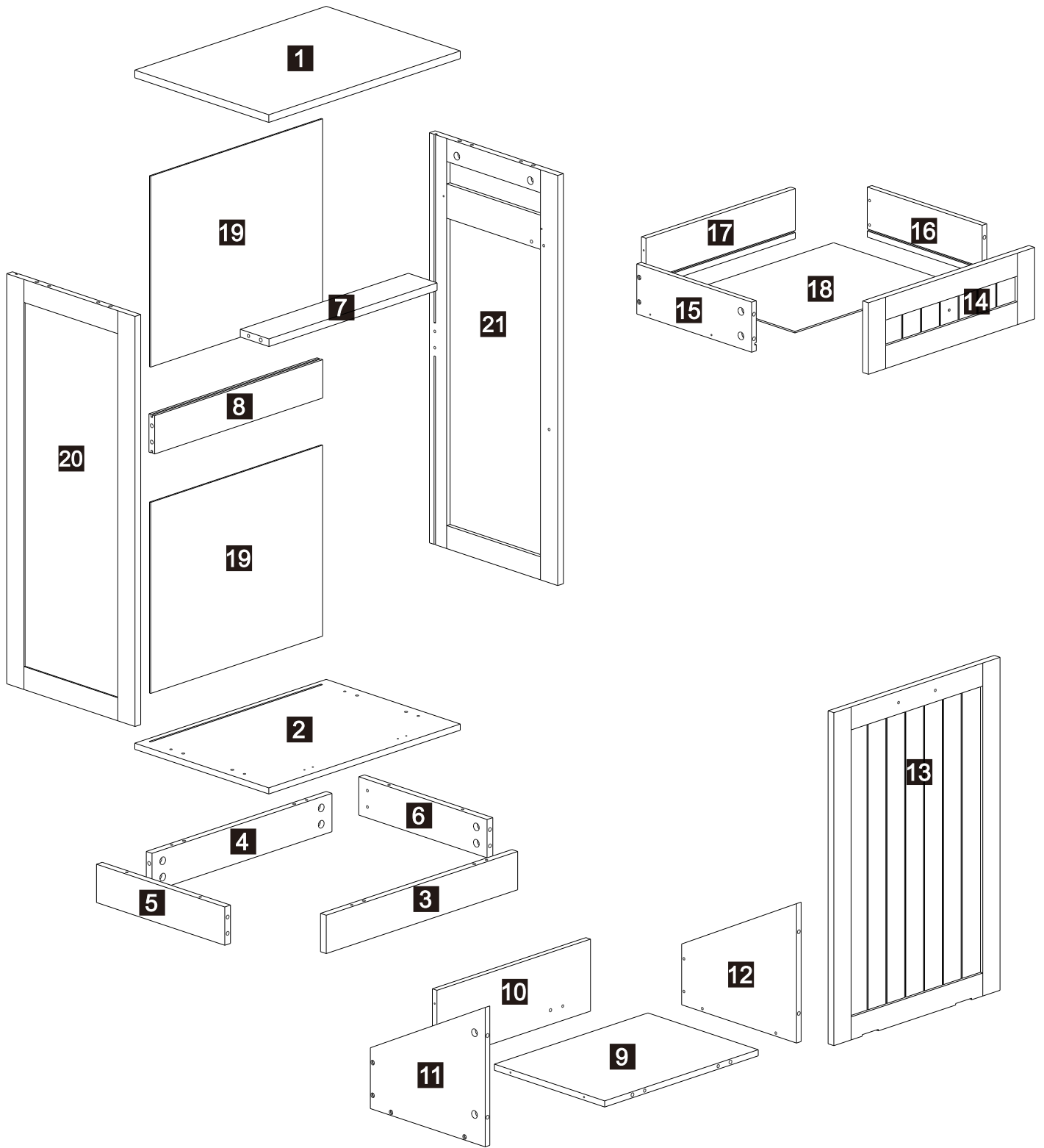
**Attention please :**

**Improper use of screws may cause the product surface damage!  
Please be careful when installing.**

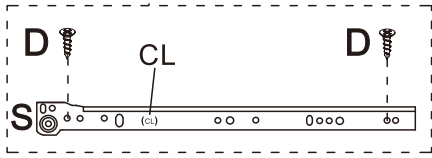
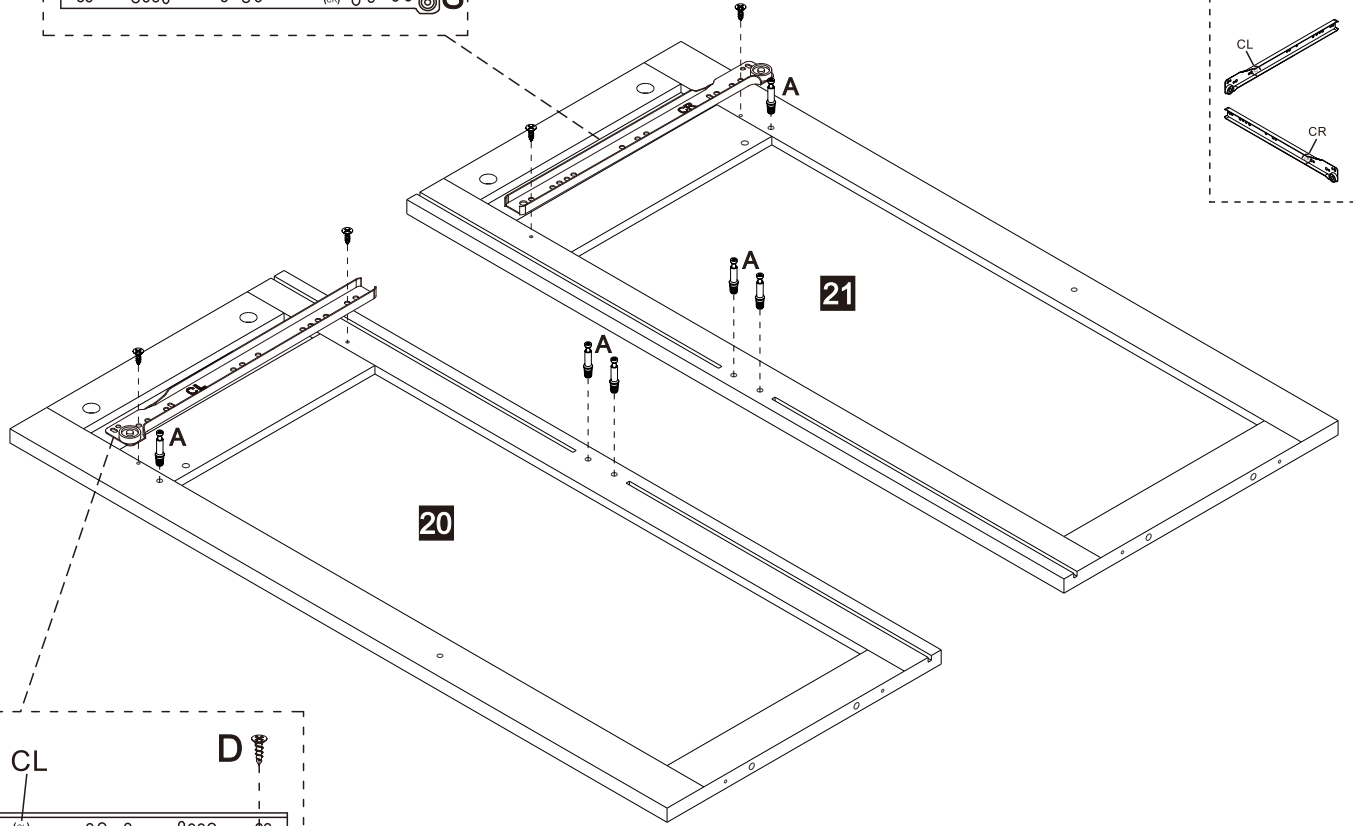
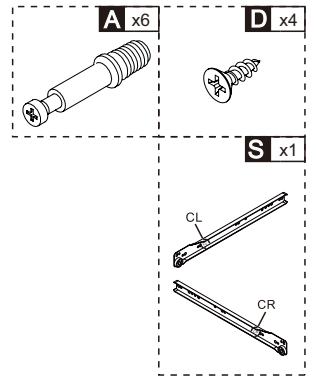
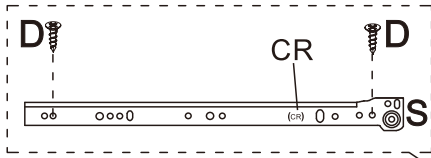
**To prevent you from confusing the accessories and boards, Please do not mix the parts of different units when you buy two or more products at the same time.**

**READ AND SAVE THIS INSTRUCTIONS FOR FUTURE USE**

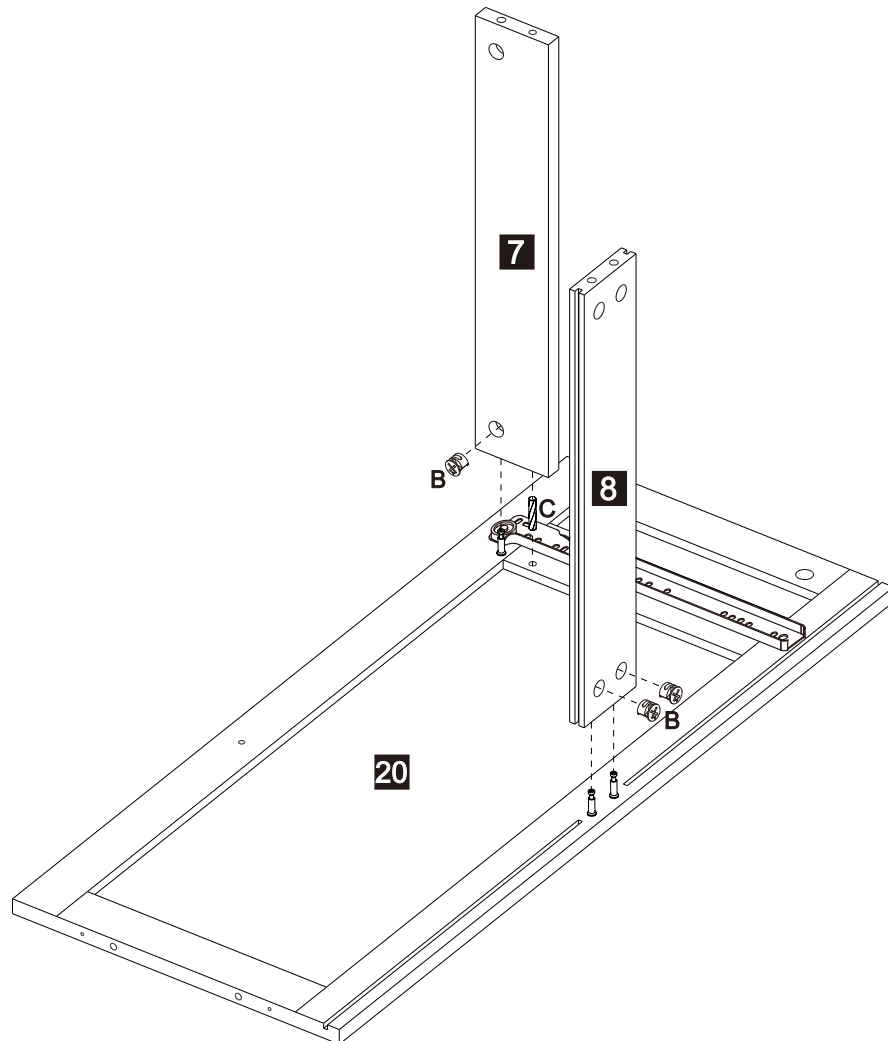
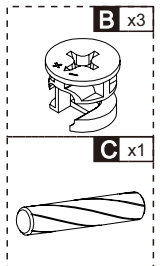
**ASSEMBLY & INSTRUCTION MANUAL**



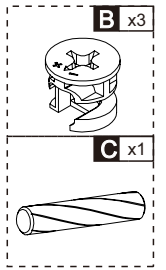
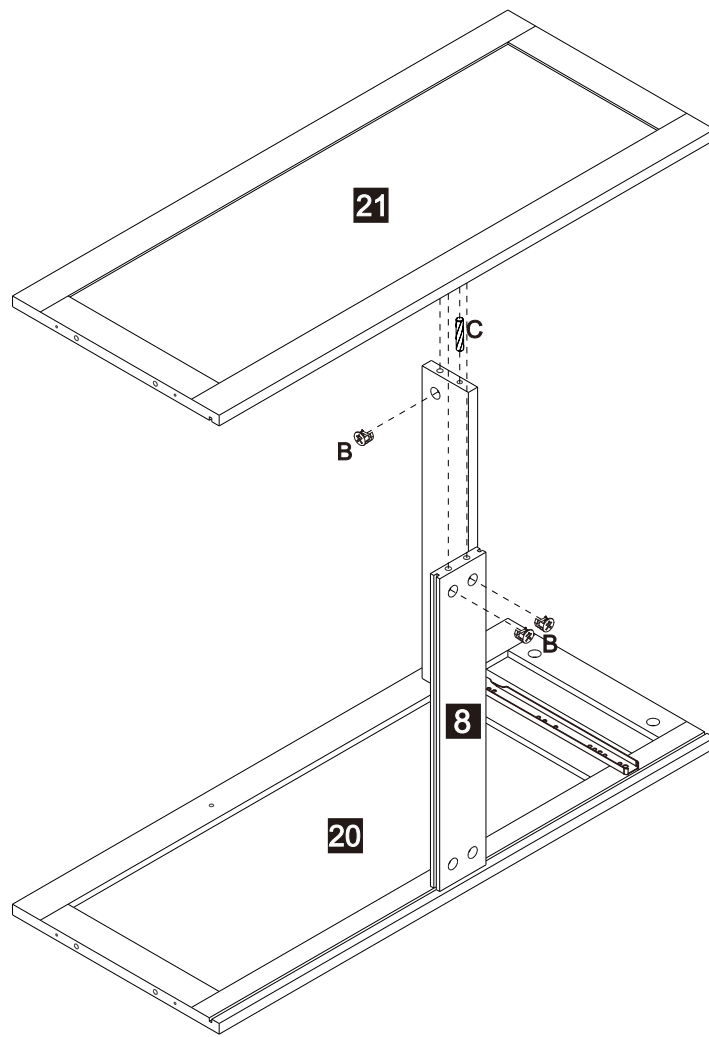
1



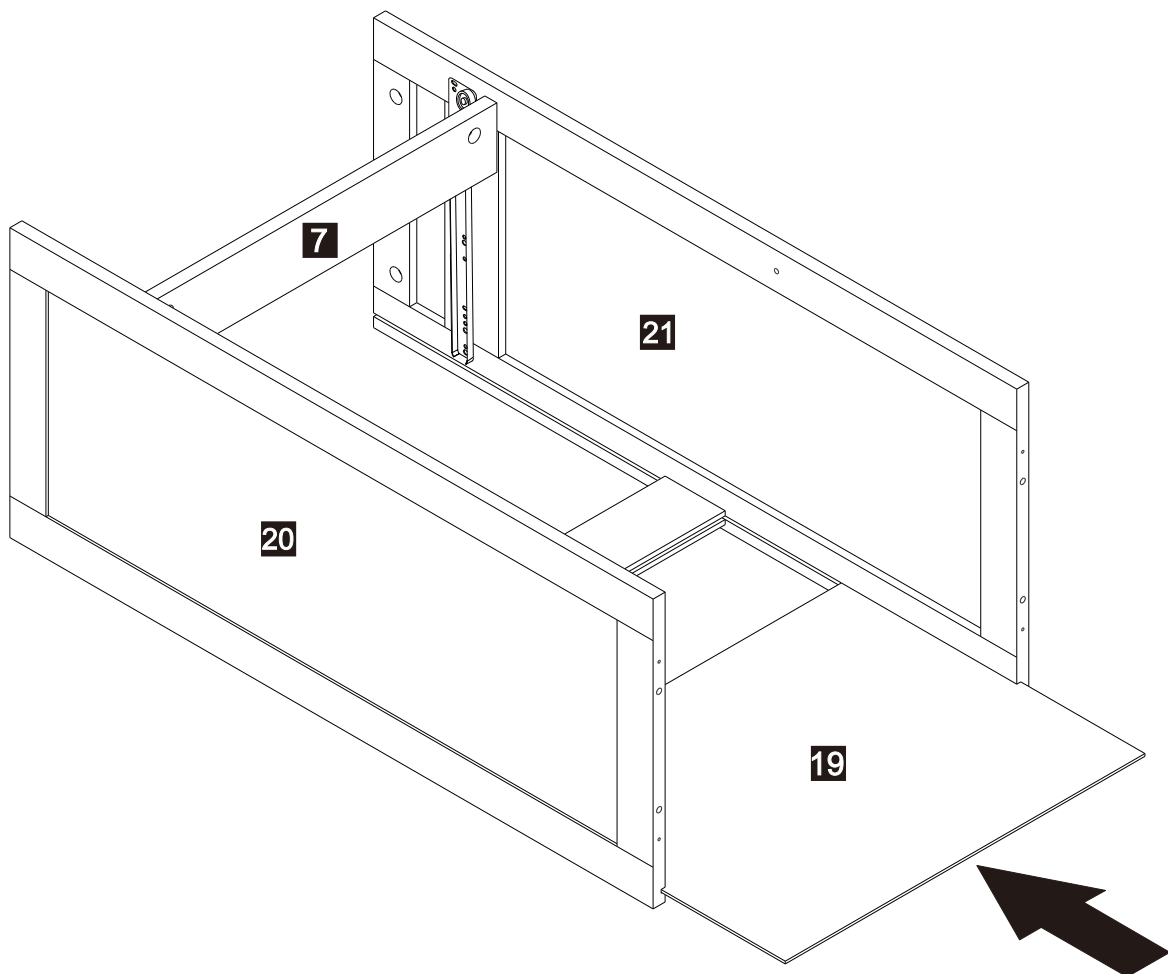
2



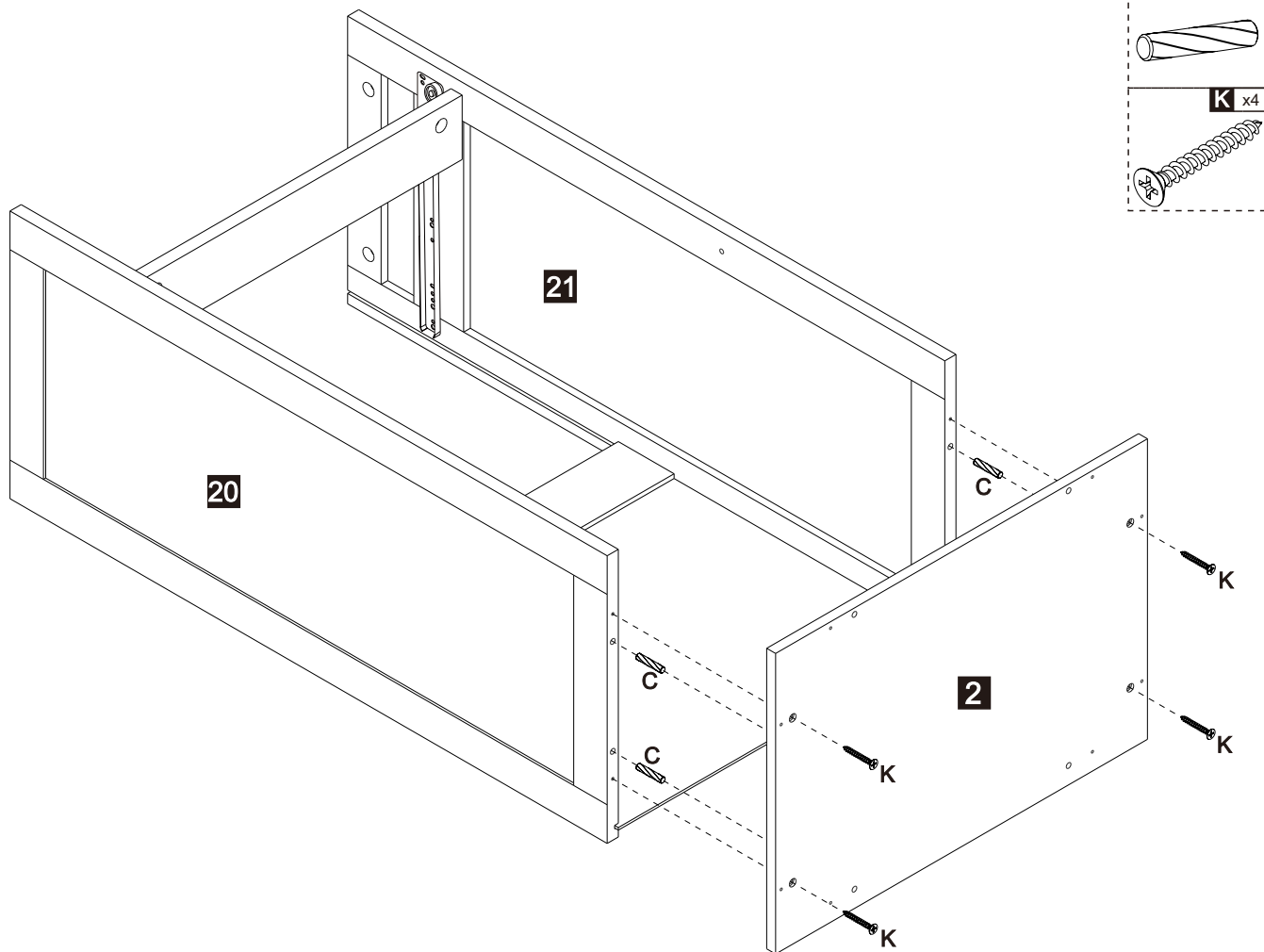
3



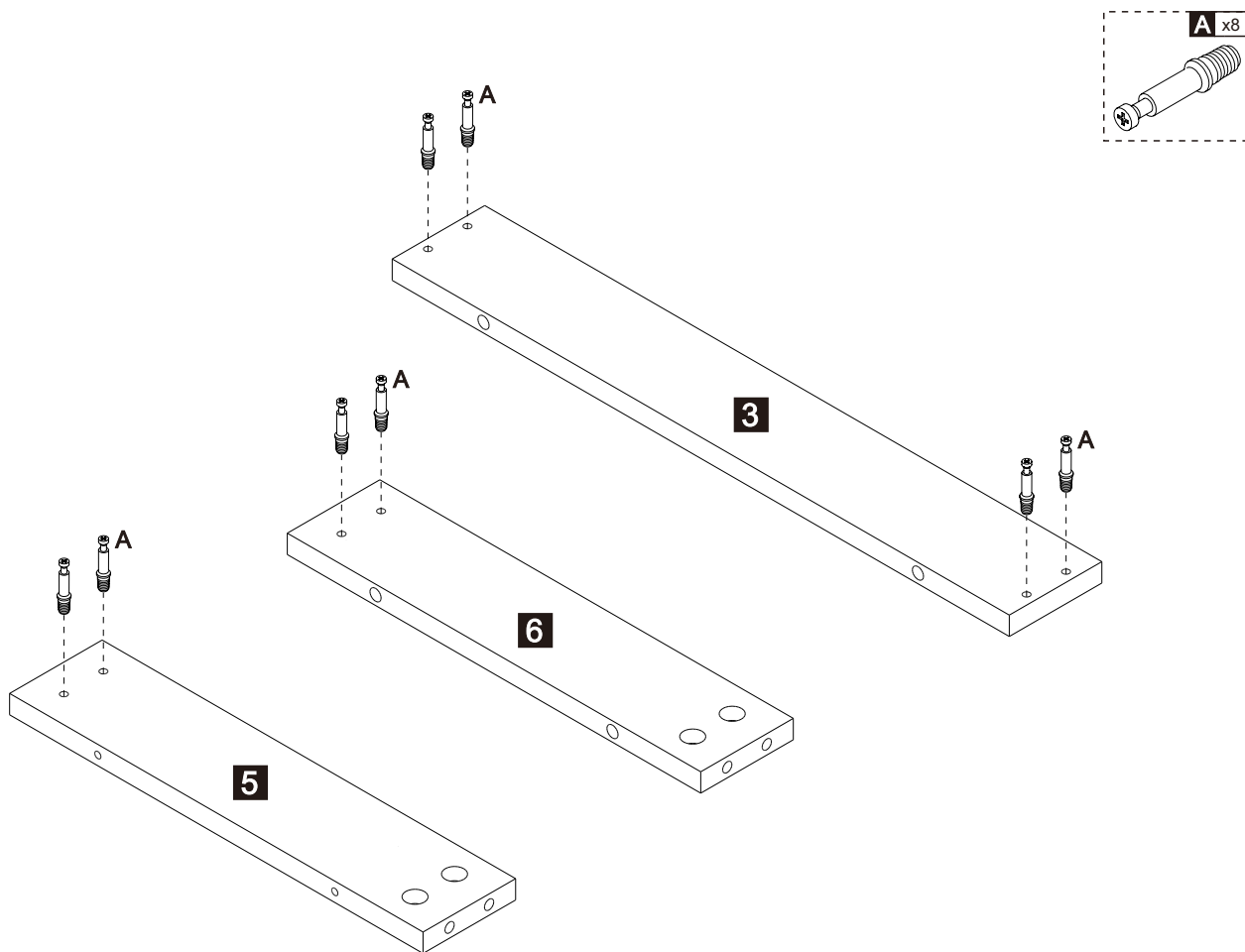
4



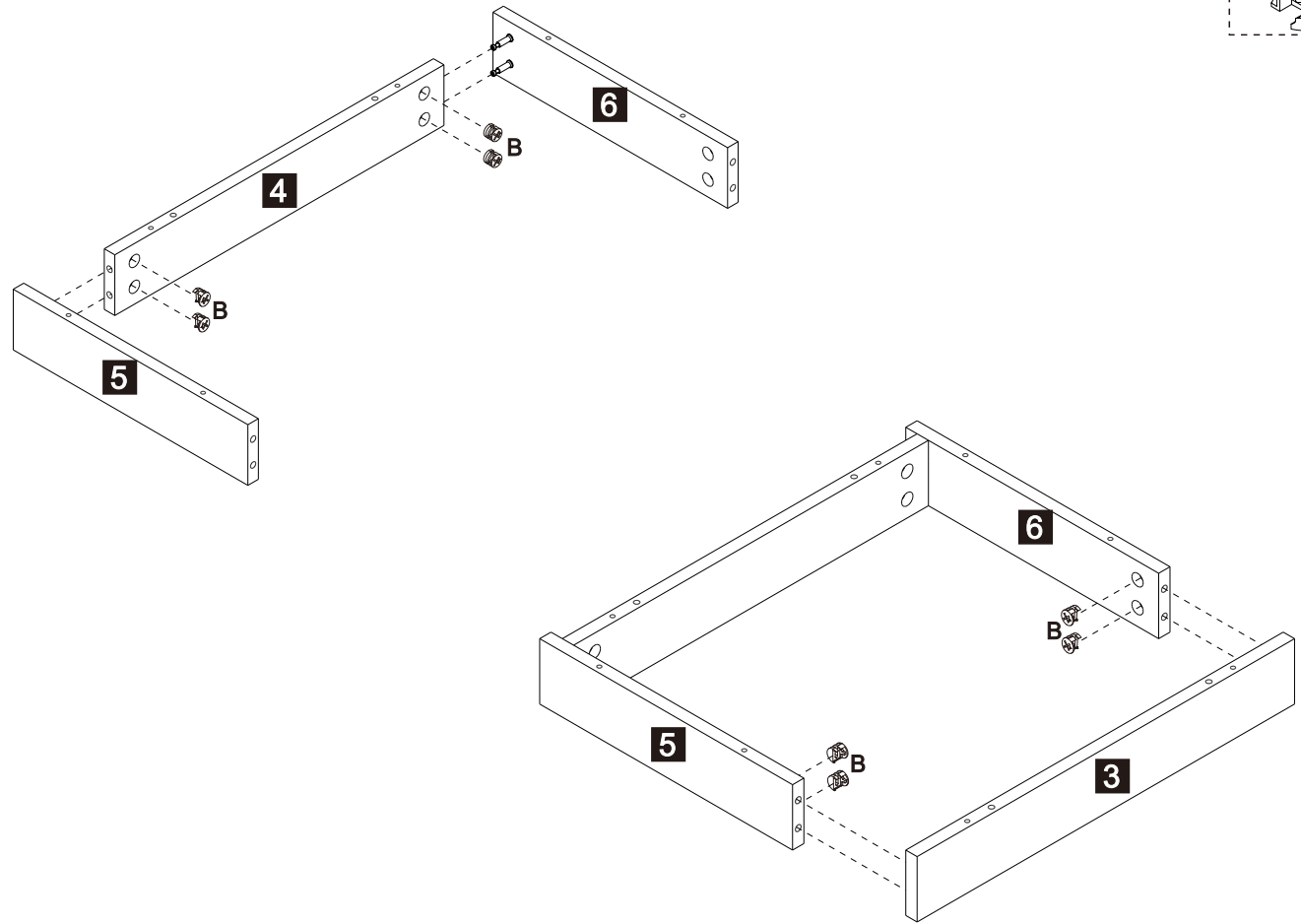
5



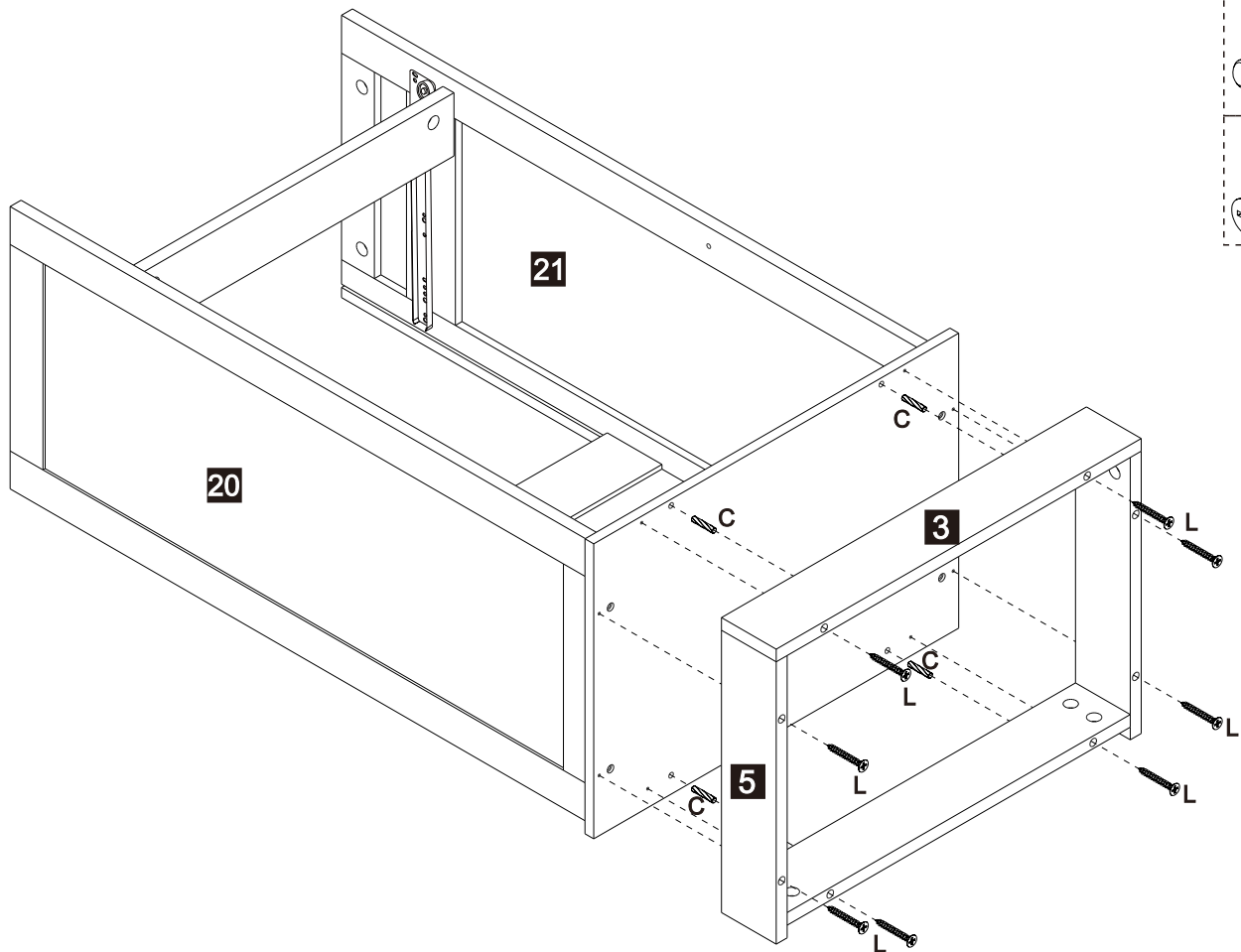
6



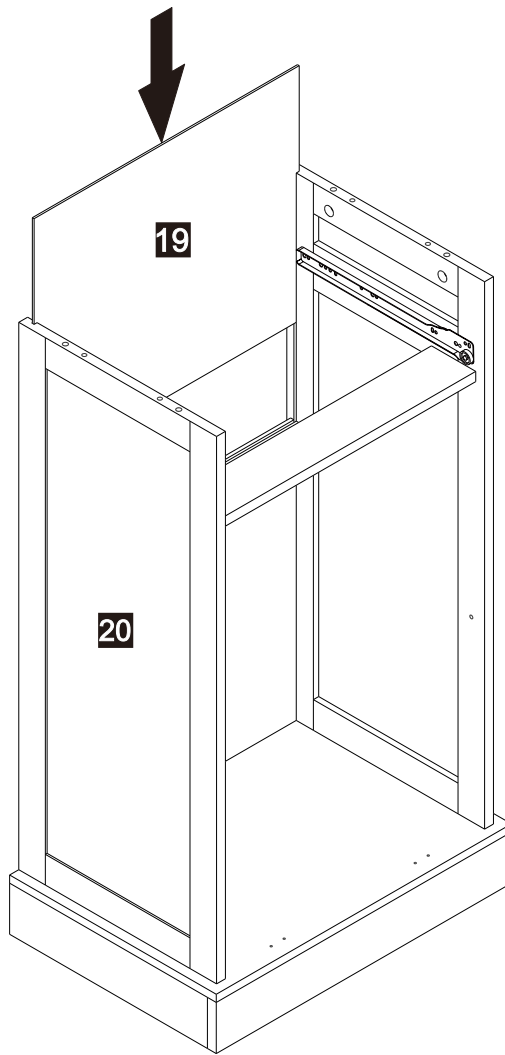
7



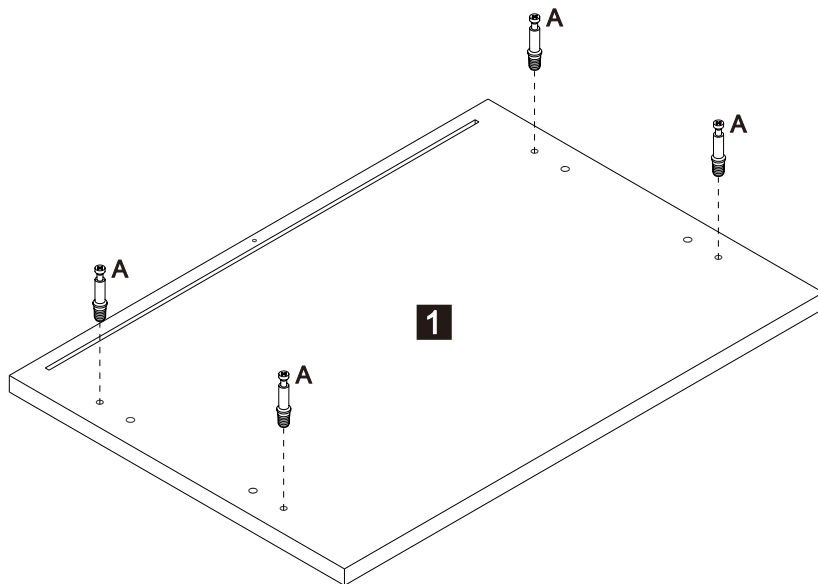
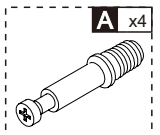
8



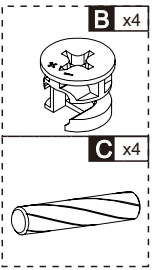
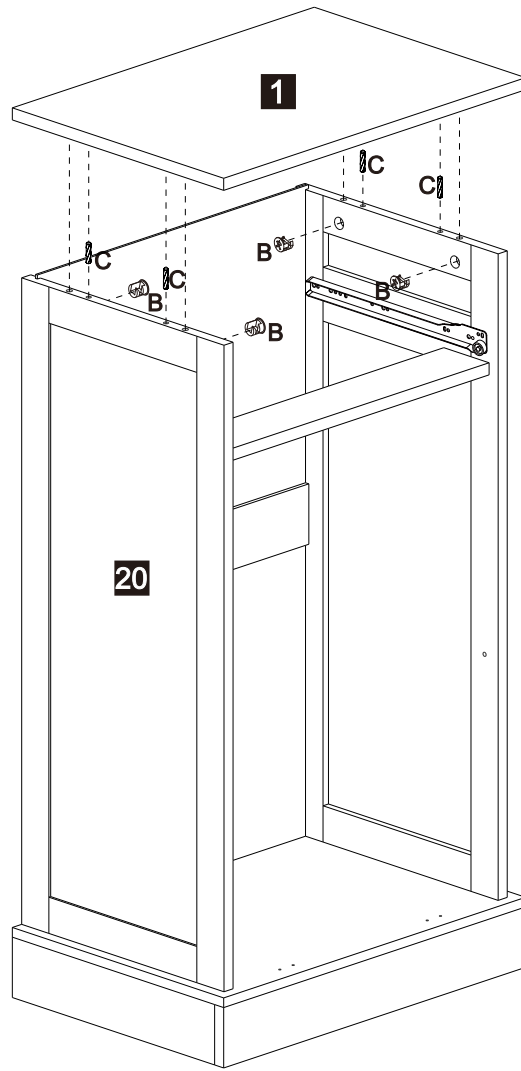
9



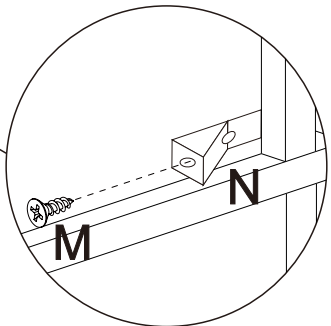
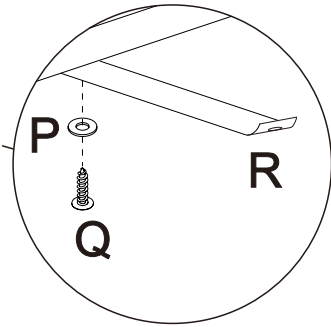
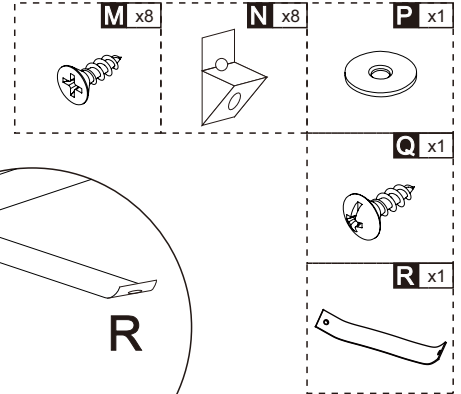
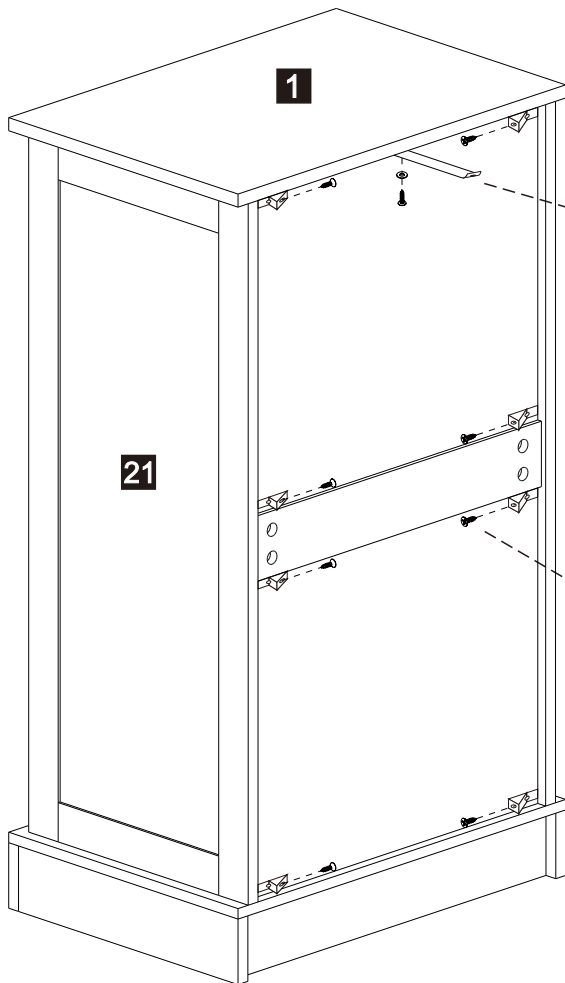
10



11

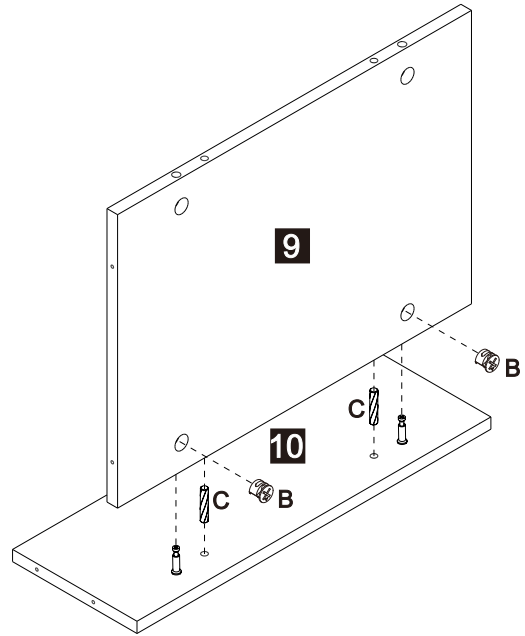
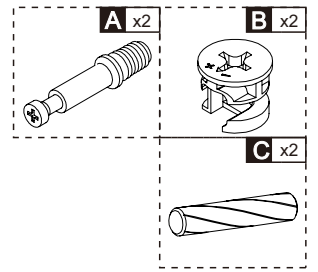
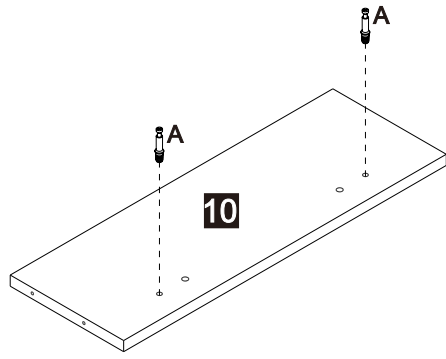


12

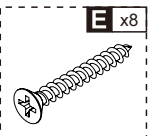
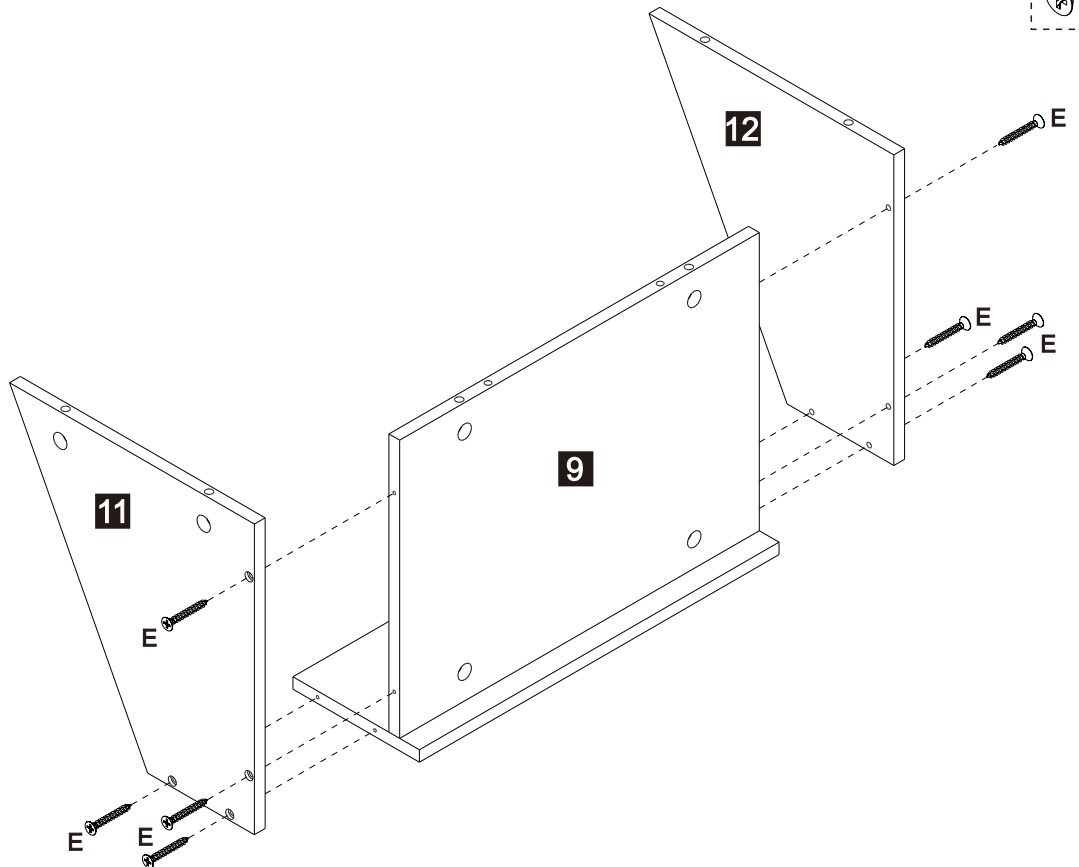




13

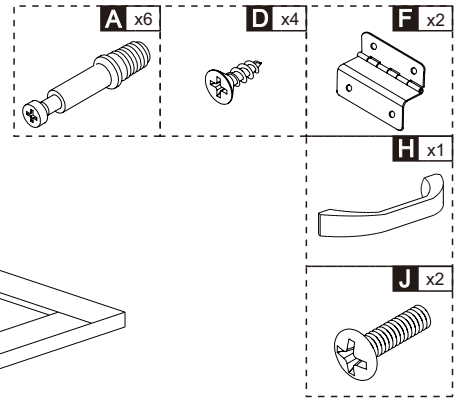
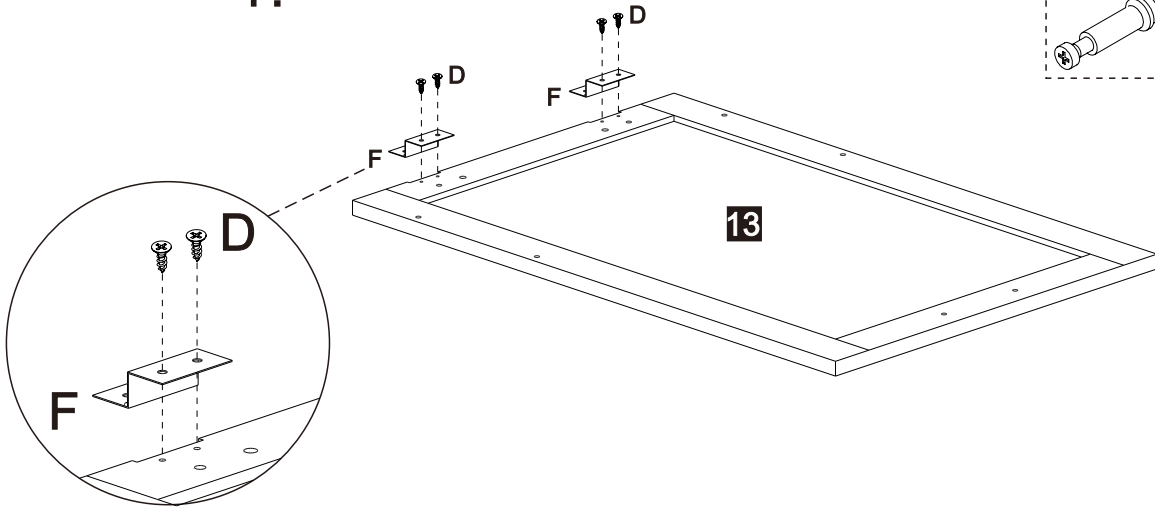


14

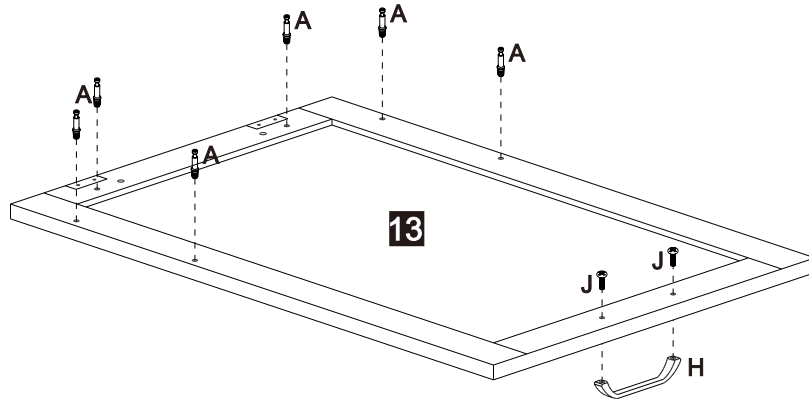


15

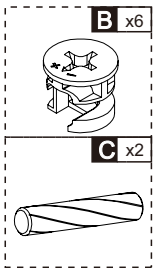
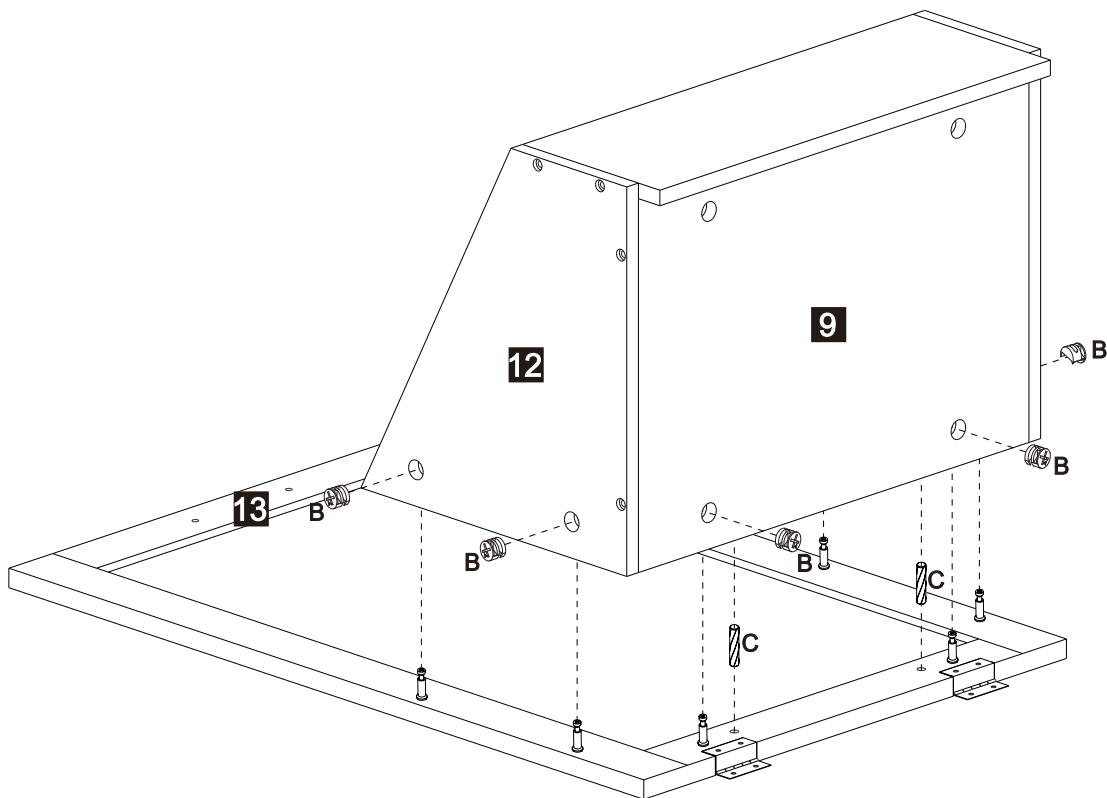
1.



2.

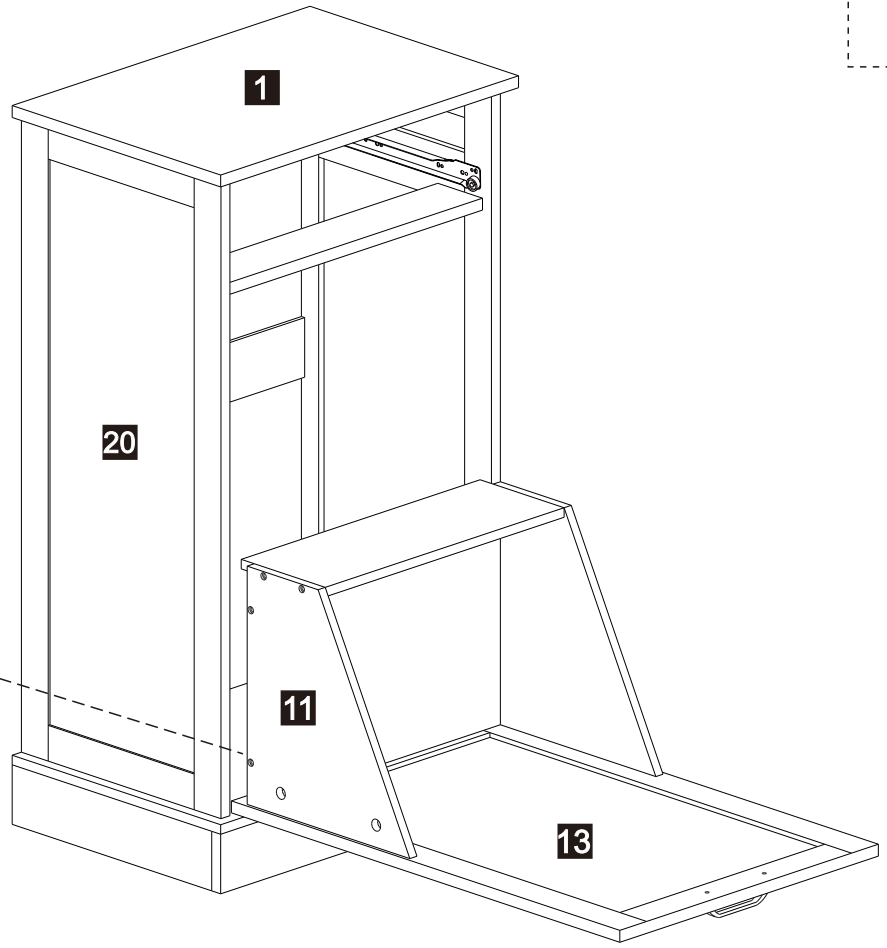
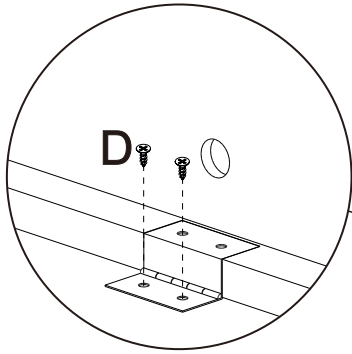


16



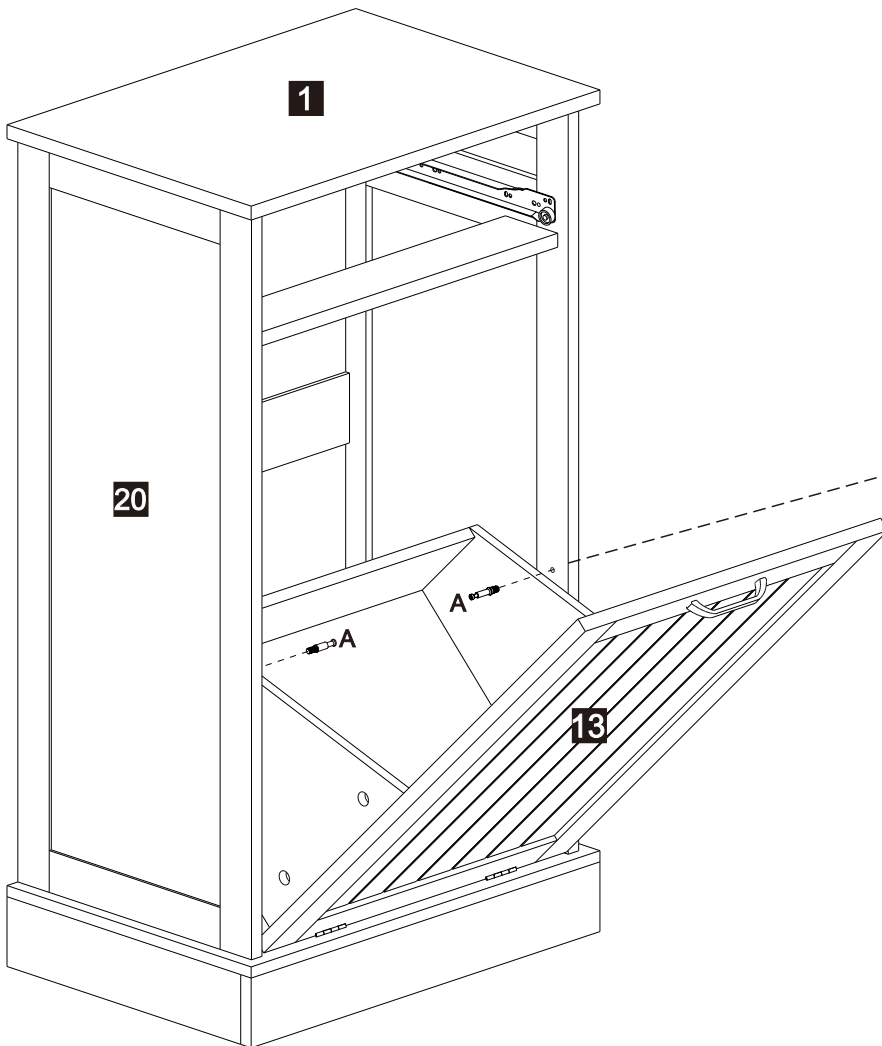
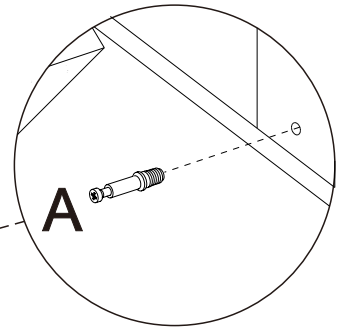
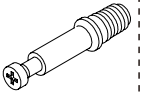
17

D x4

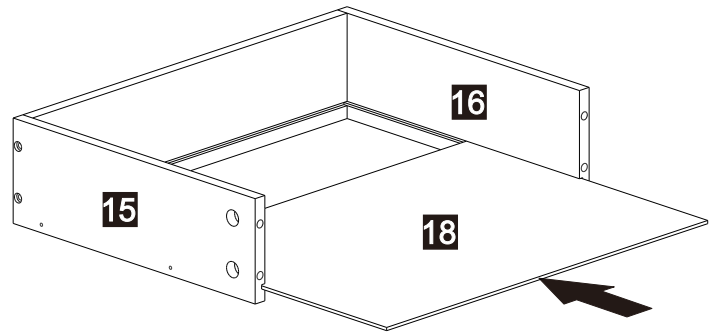
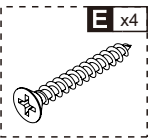
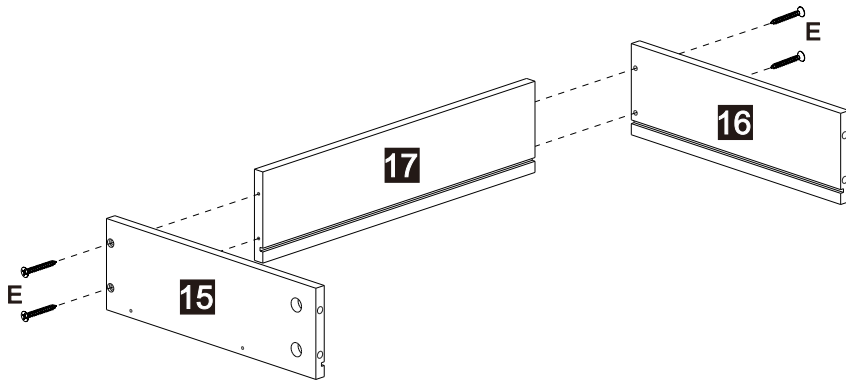


18

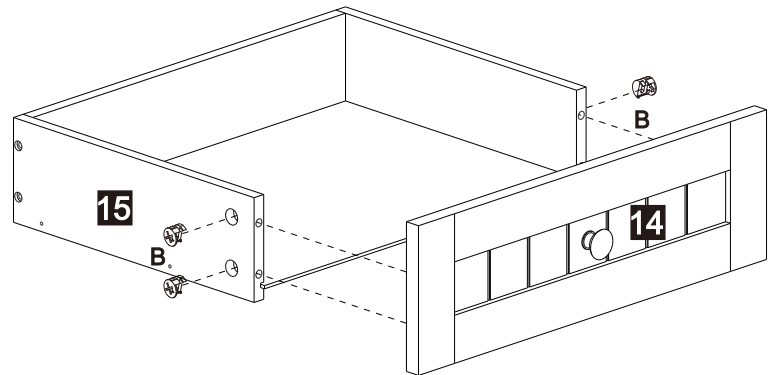
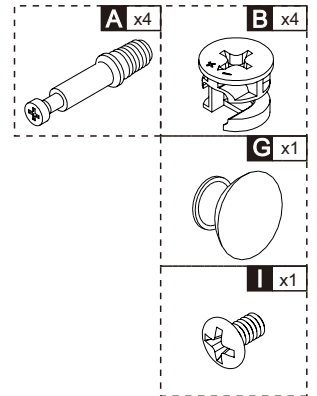
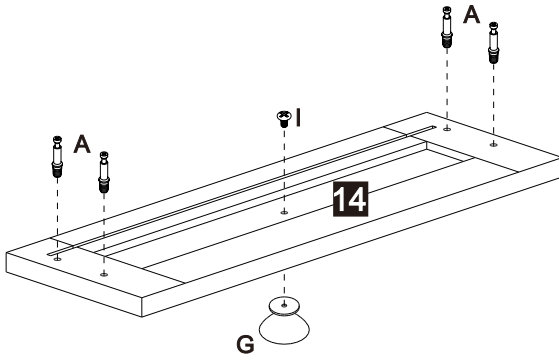
A x2



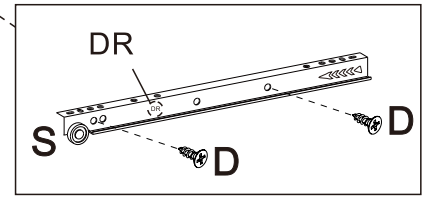
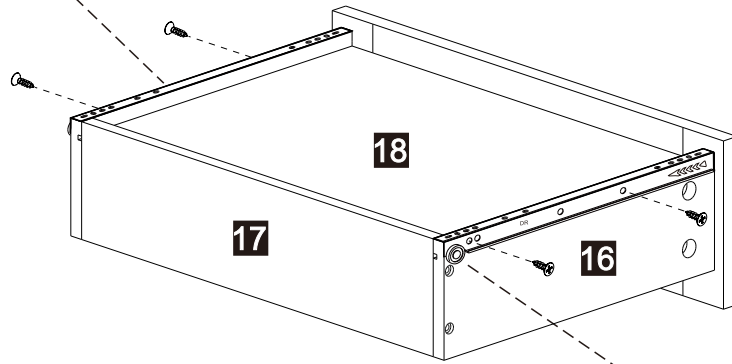
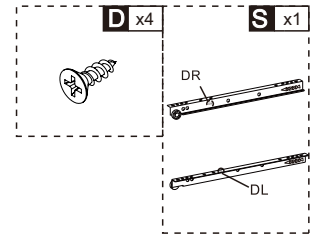
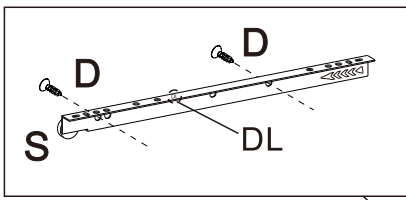
19



20



21



22

