

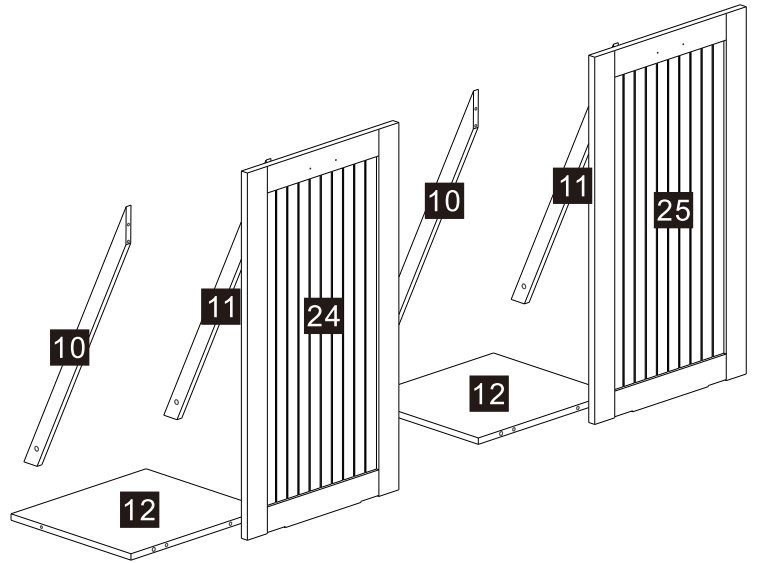
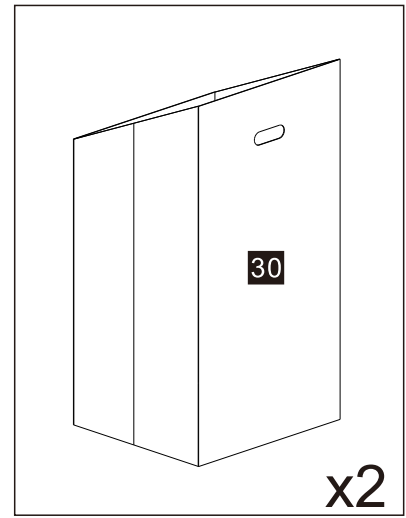
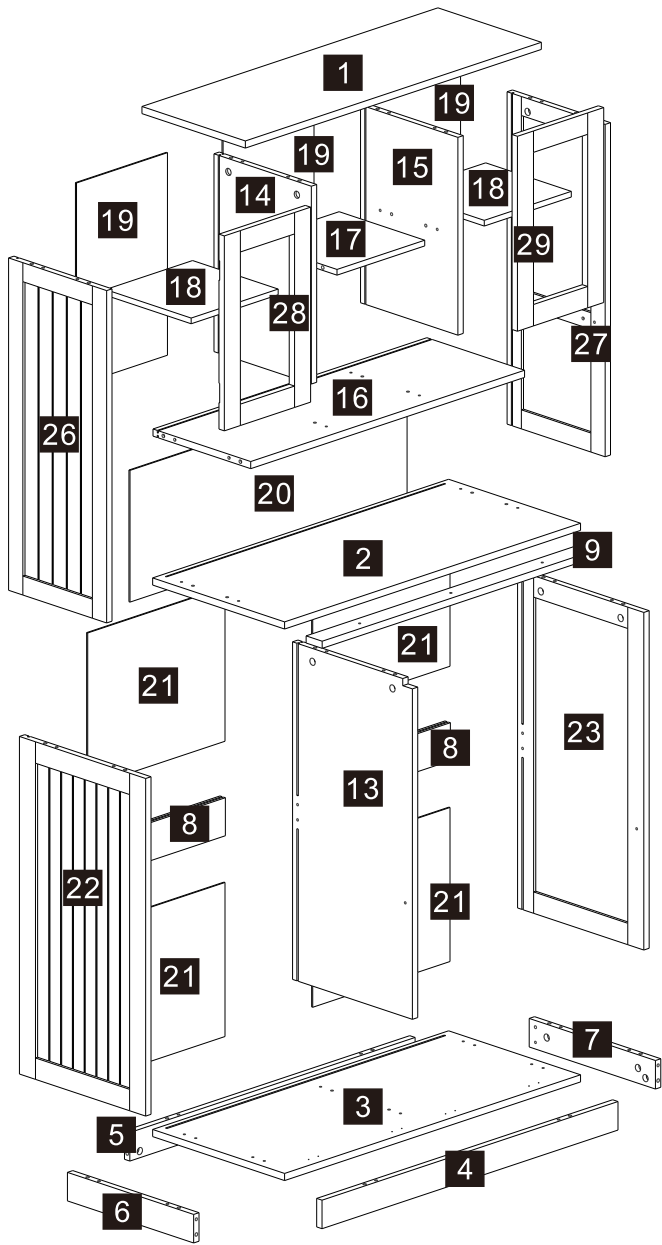
Attention please :

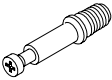
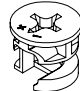

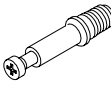

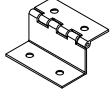
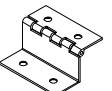

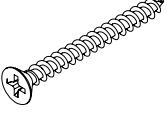


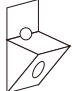

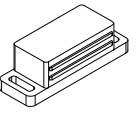



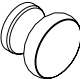
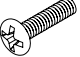

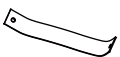
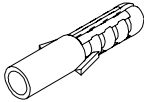
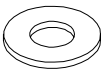

**Improper use of screws may cause the product surface damage!
Please be careful when installing.**

To prevent you from confusing the accessories and boards, Please do not mix the parts of different units when you buy two or more products at the same time.

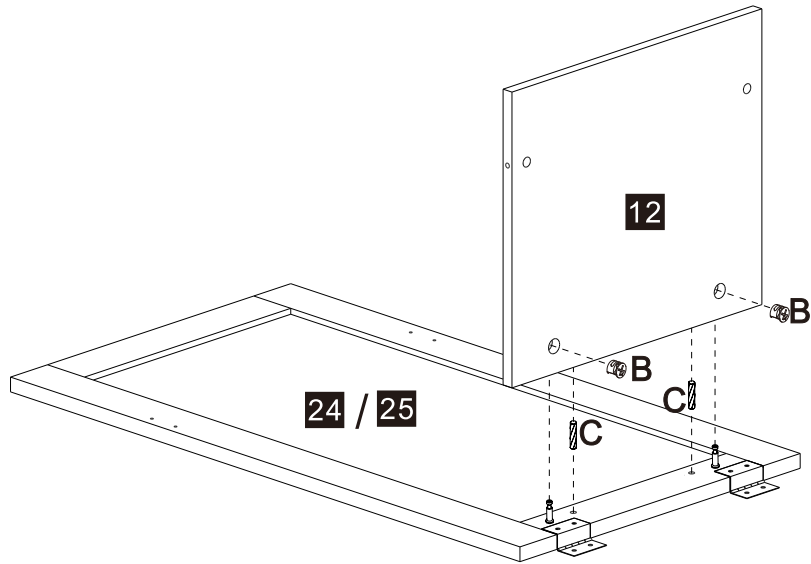
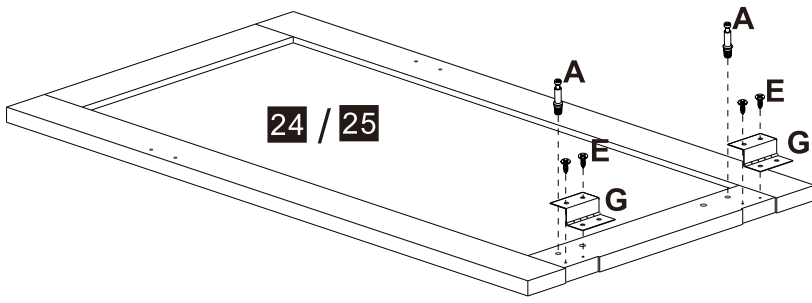
READ AND SAVE THIS INSTRUCTIONS FOR FUTURE USE

ASSEMBLY & INSTRUCTION MANUAL

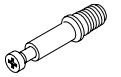


A x46  6x35mm	B x46 	C x52 	D x 4  6x25mm	E x34  3x12mm	F x 4 	G x 4 
H x11  4x25mm	I x20  4x40mm	J x 4 	K x 8 	L x16 	M x16  3x14mm	N x 2 
O x 2 	P x 4  2.5x14mm	Q x 2 	R x 2 	S x 2  4x18mm	T x 4  3x12mm BLACK	U x 2 
V x 2 	W x 4 	X x 2  2.5x12mm				

1



A x 4



B x 4



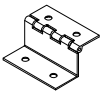
C x 4



E x 8

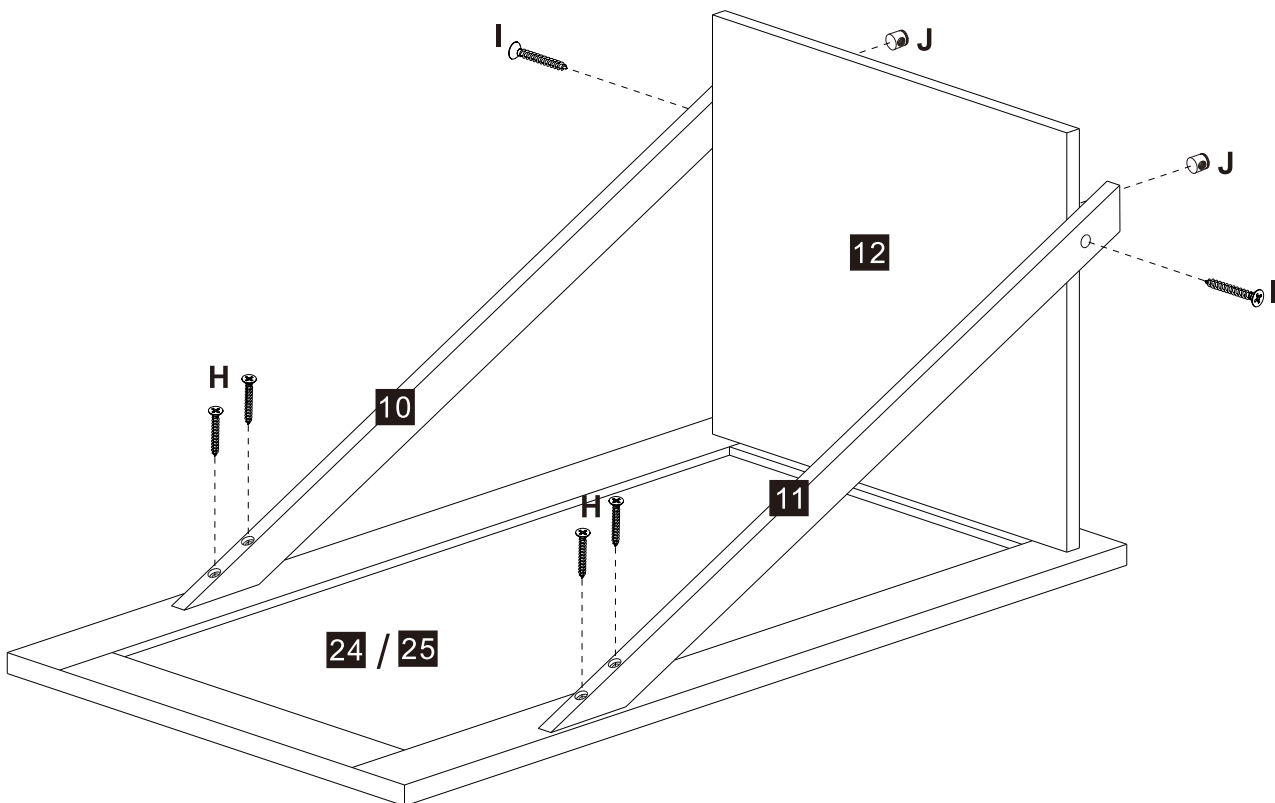


G x 4



x2

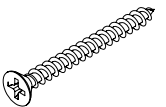
2



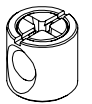
H x 8



I x 4

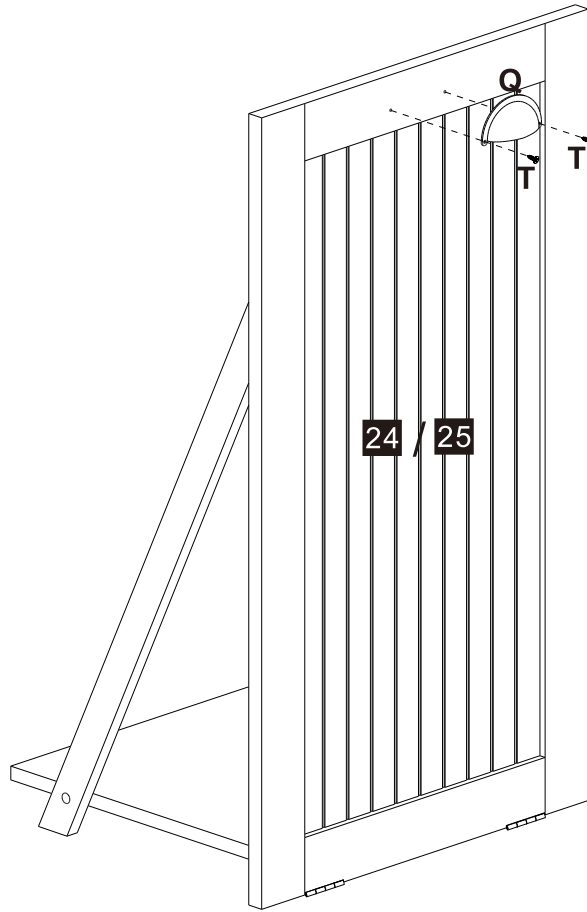


J x 4



x2

3



Q x 2



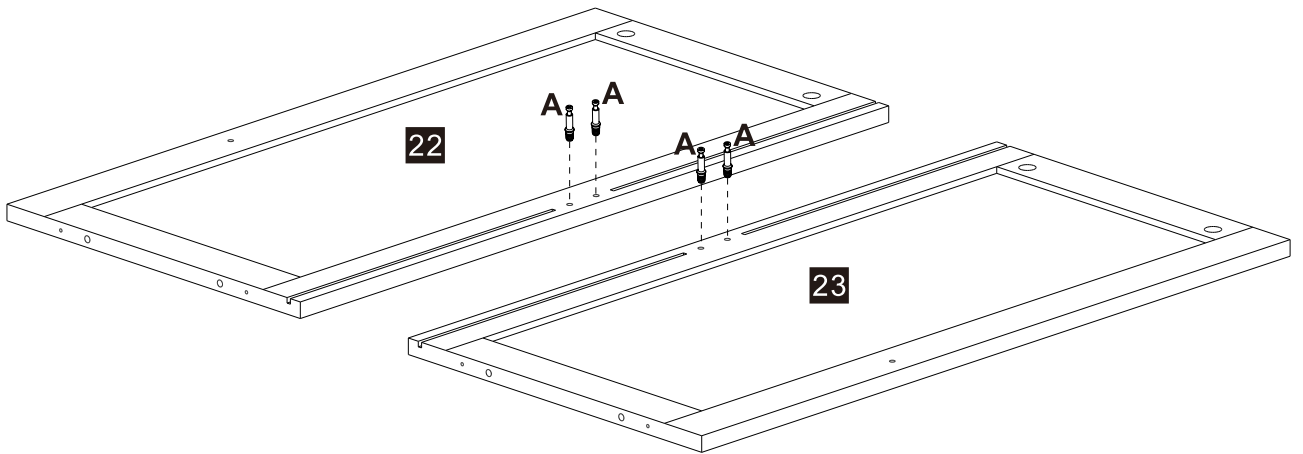
T x 4



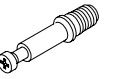
BLACK

x2

4

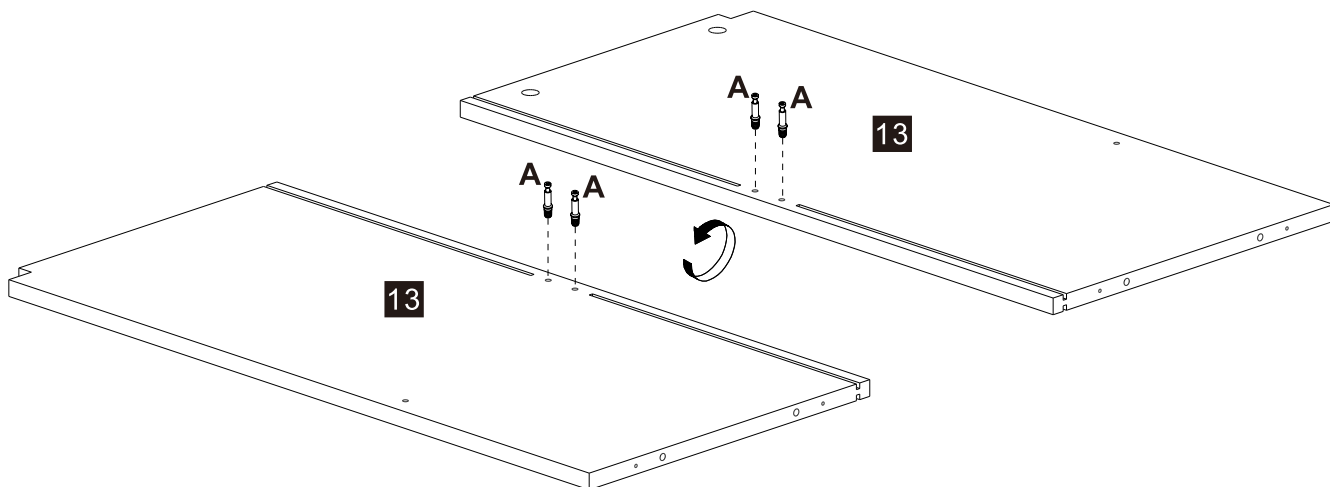
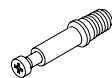


A x 4



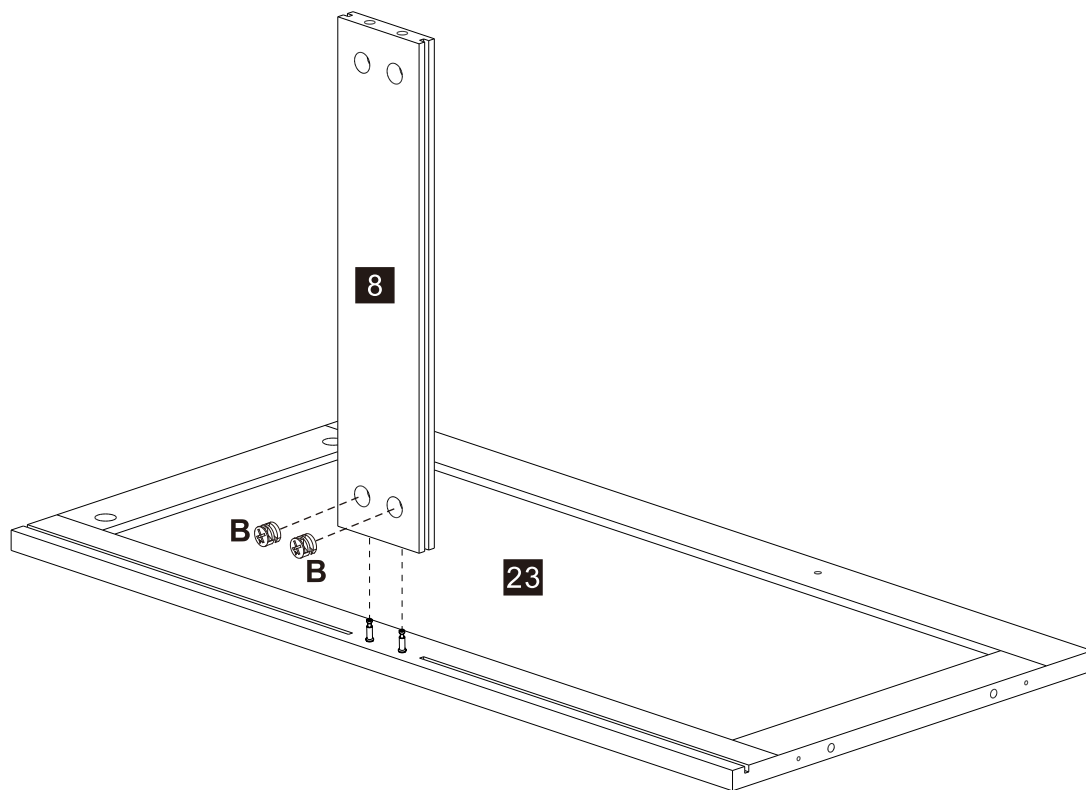
5

A x 4



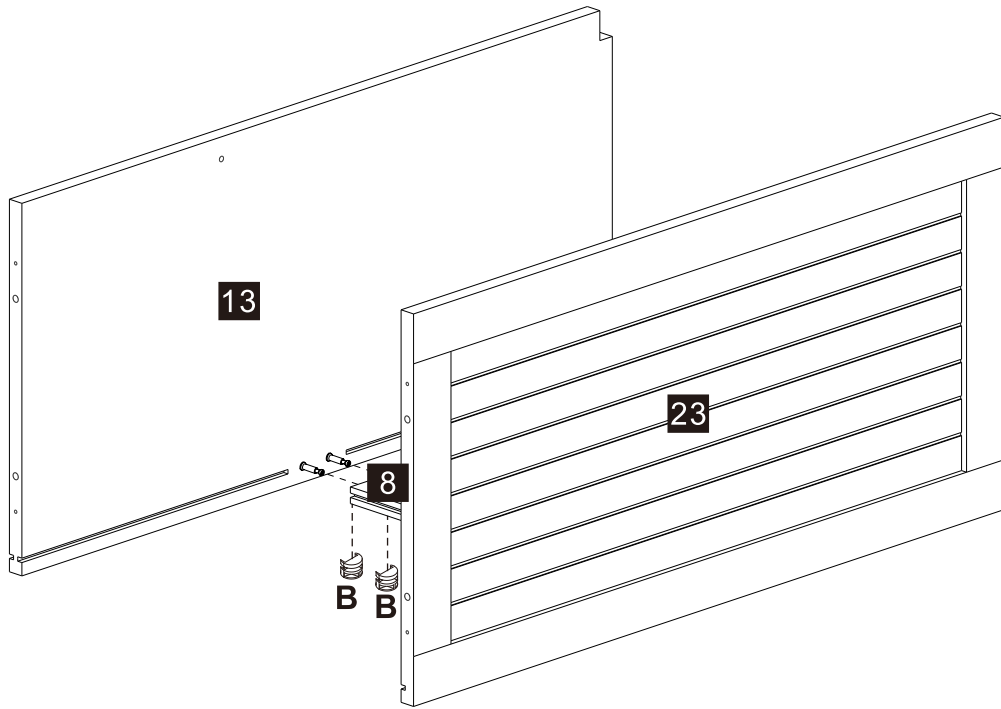
6

B x 2



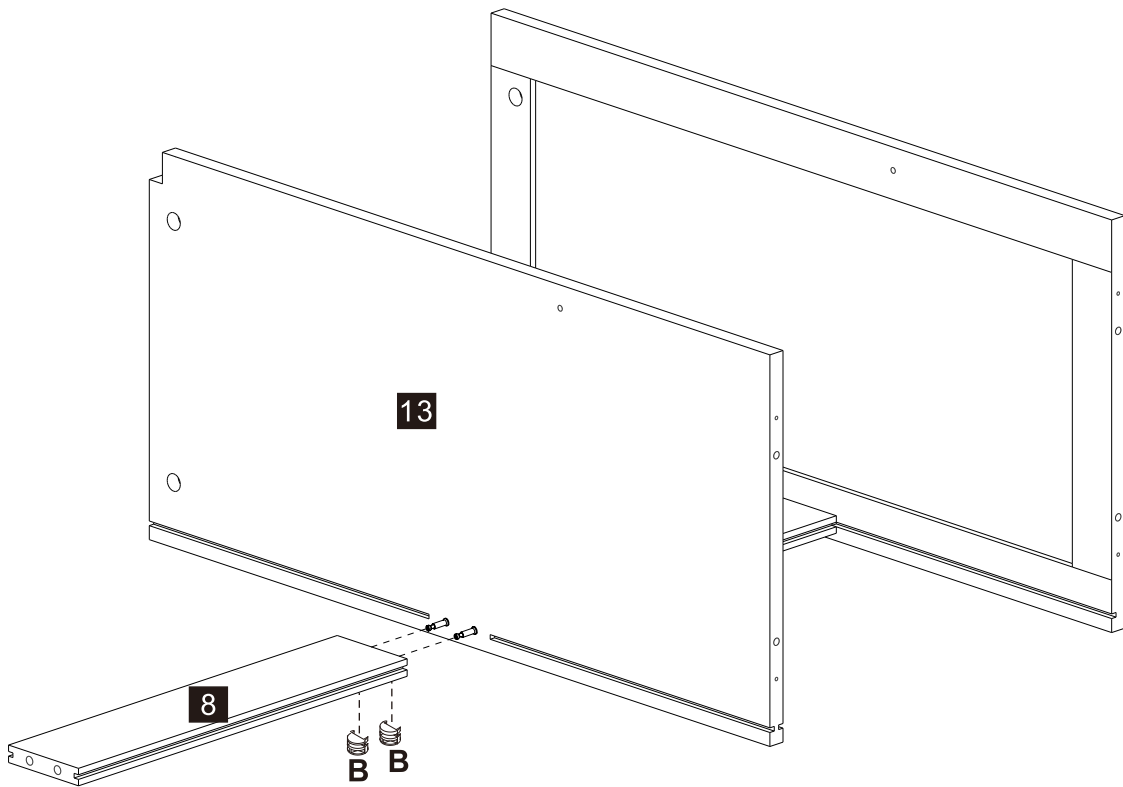
7

B x 2



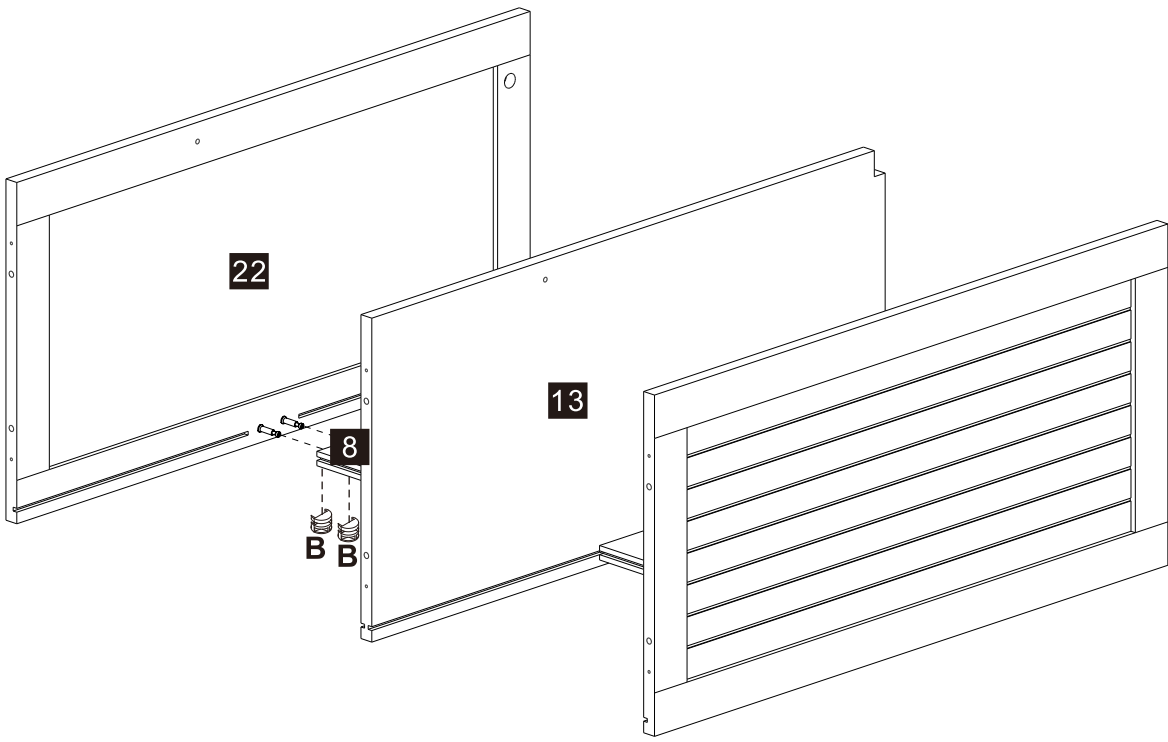
8

B x 2

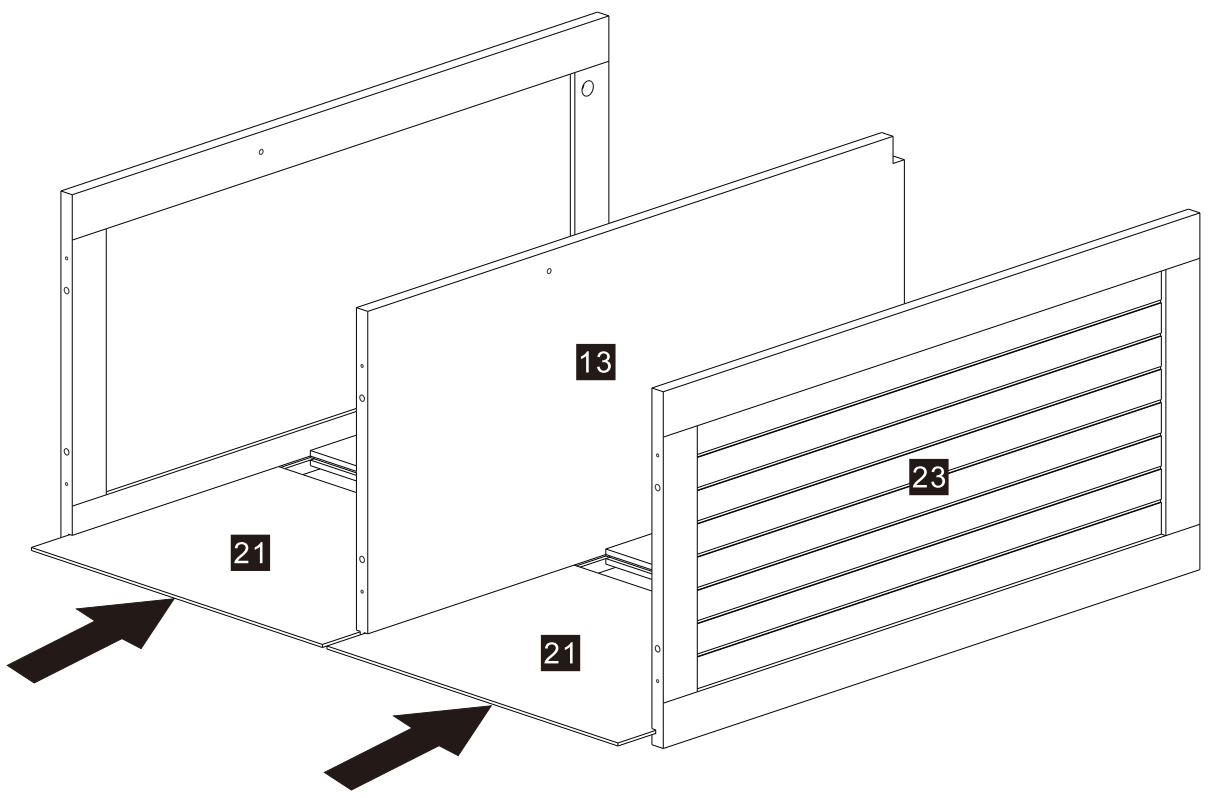


9

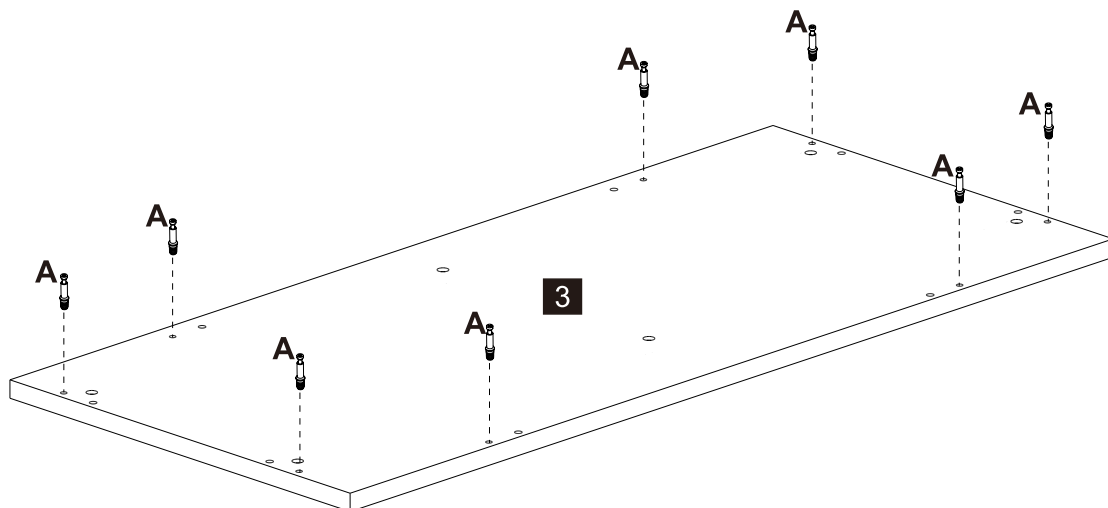
B x 2



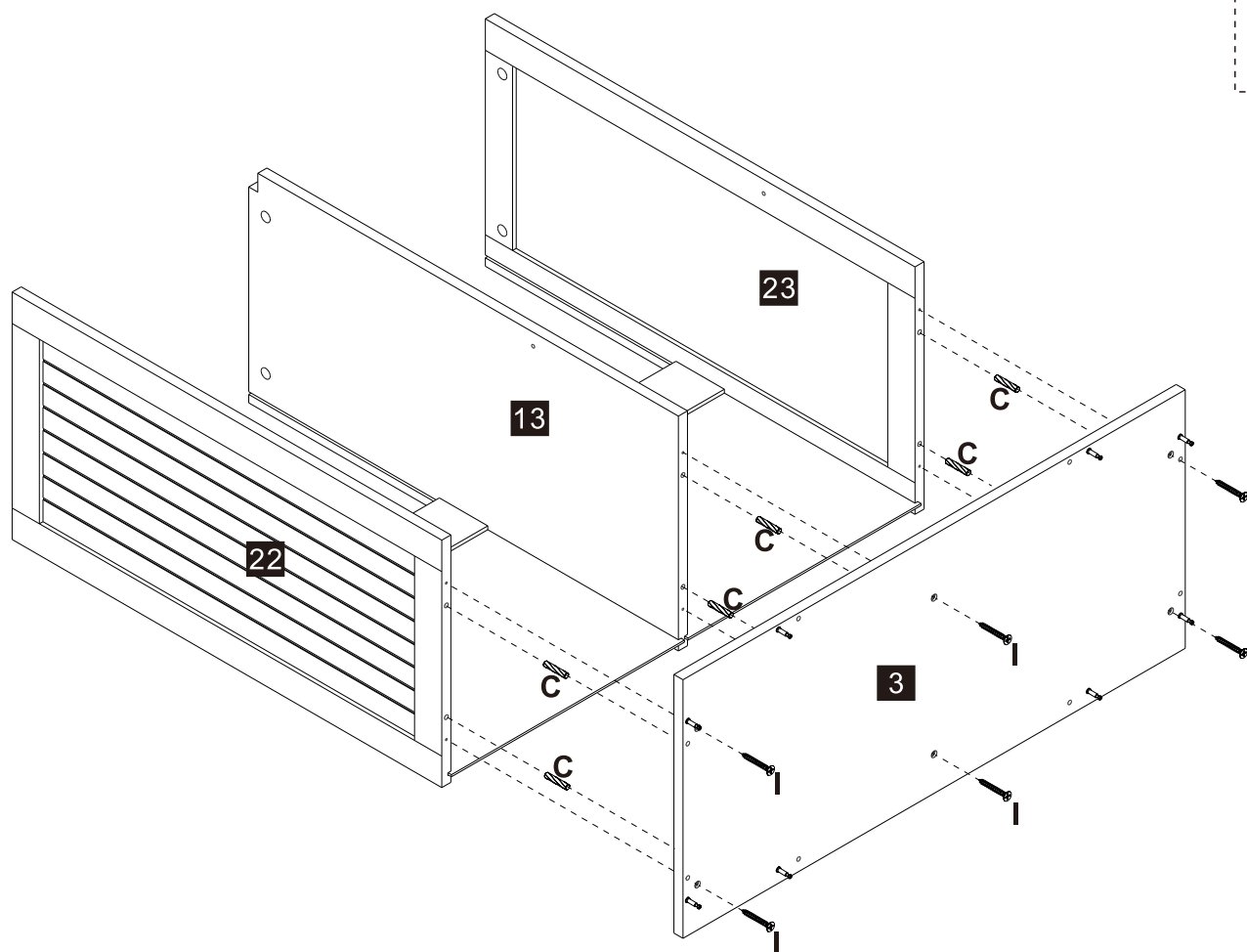
10

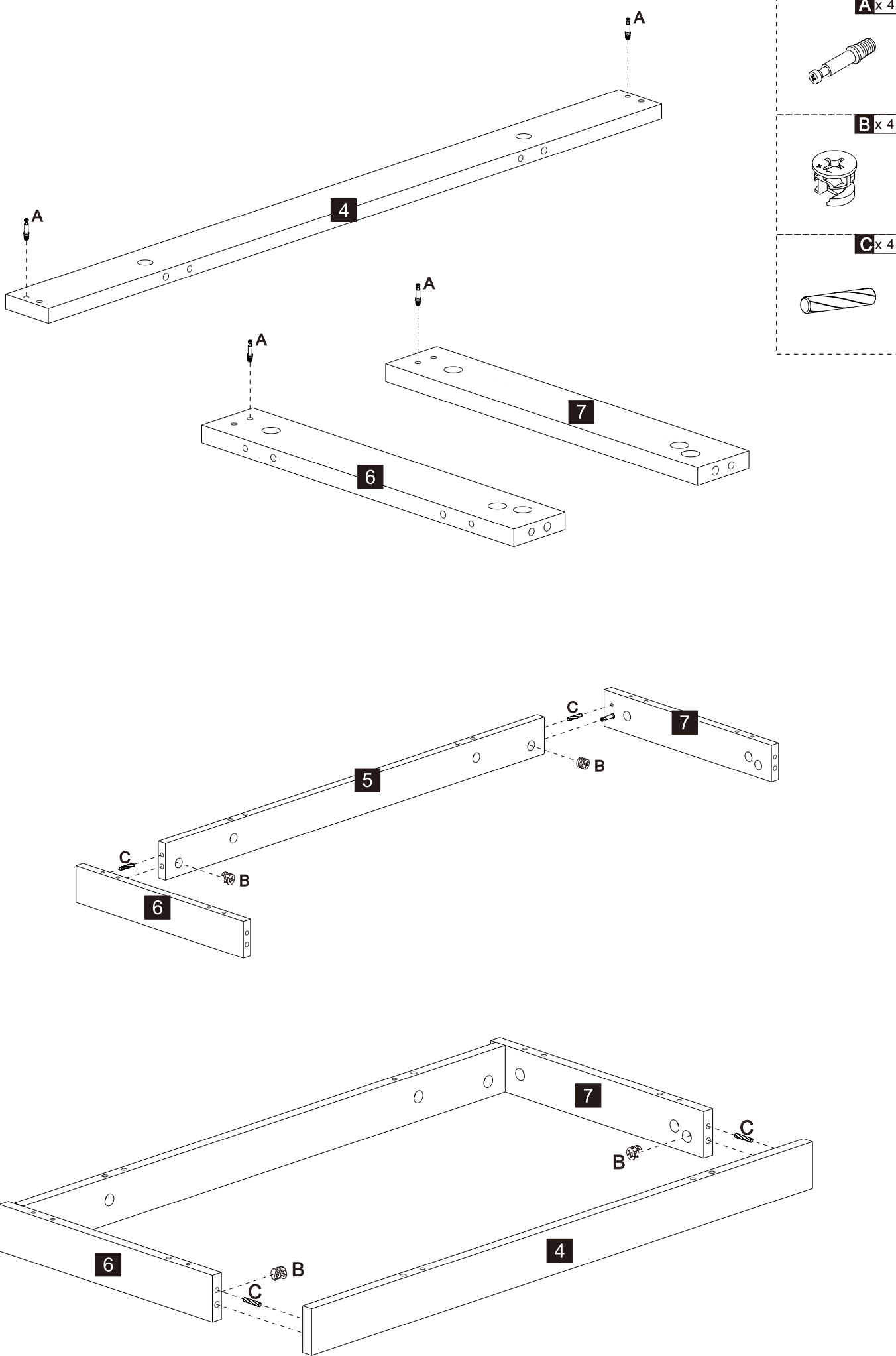


11



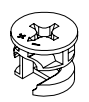
12



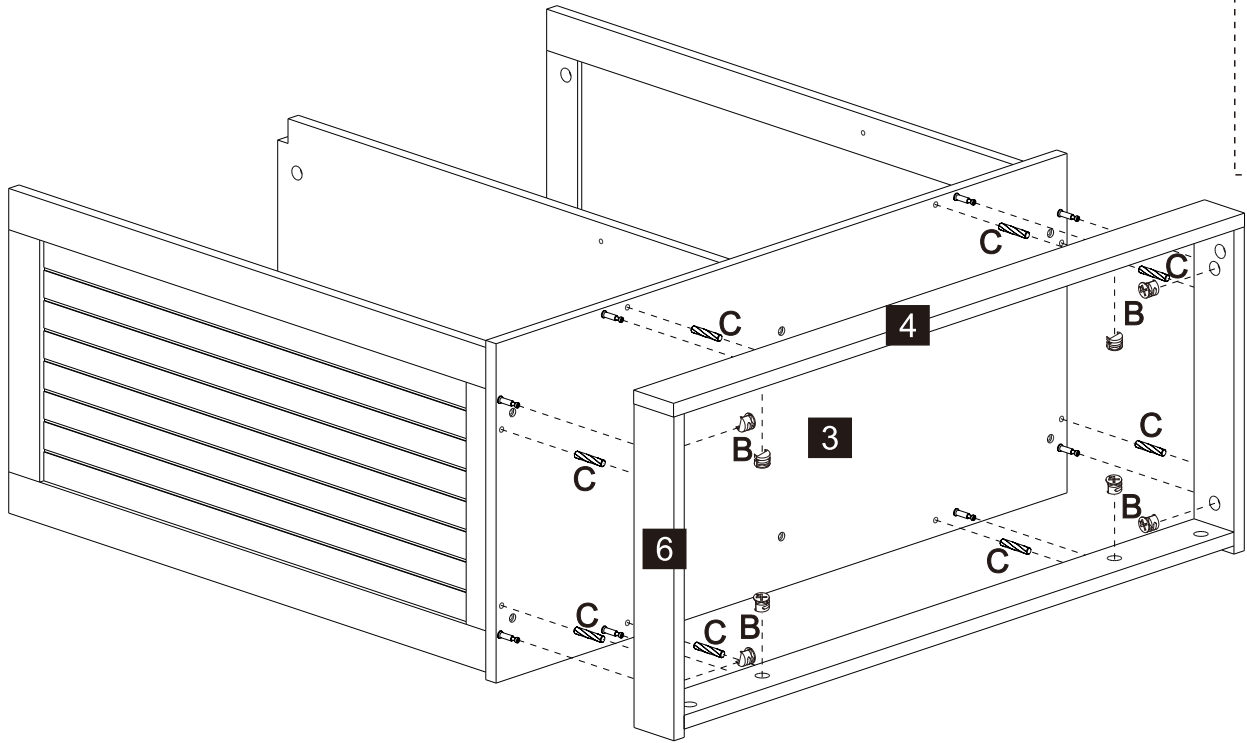


14

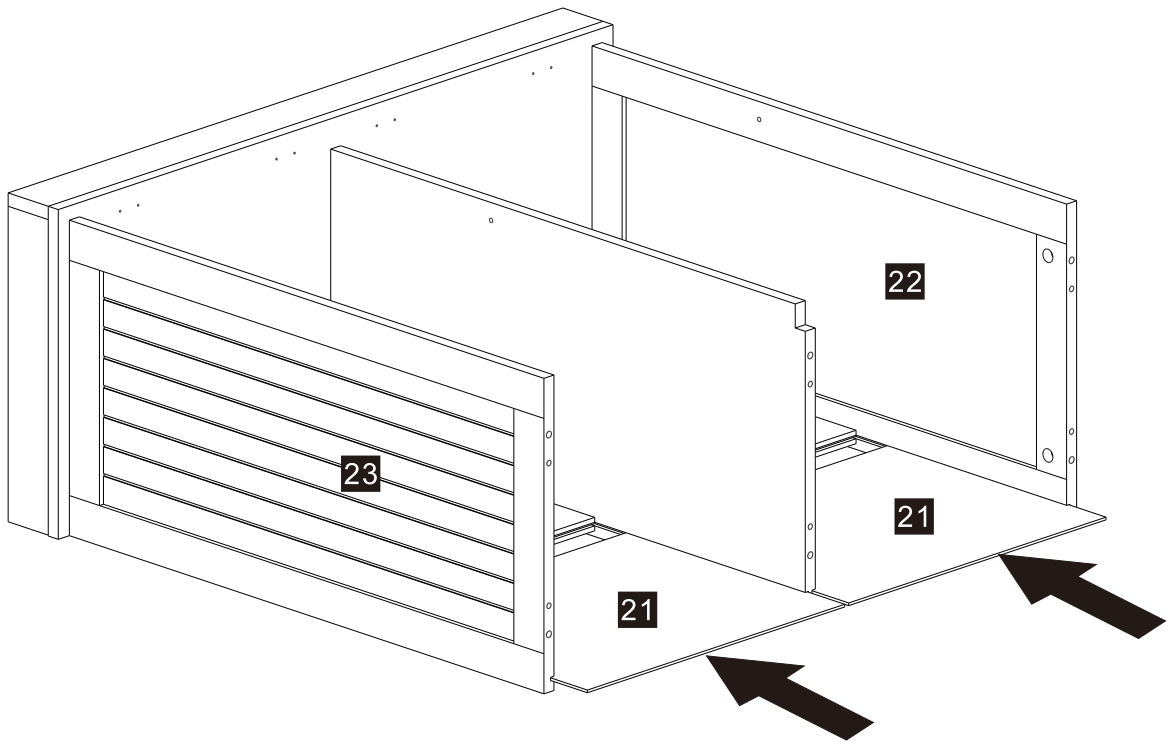
B x 8



C x 8

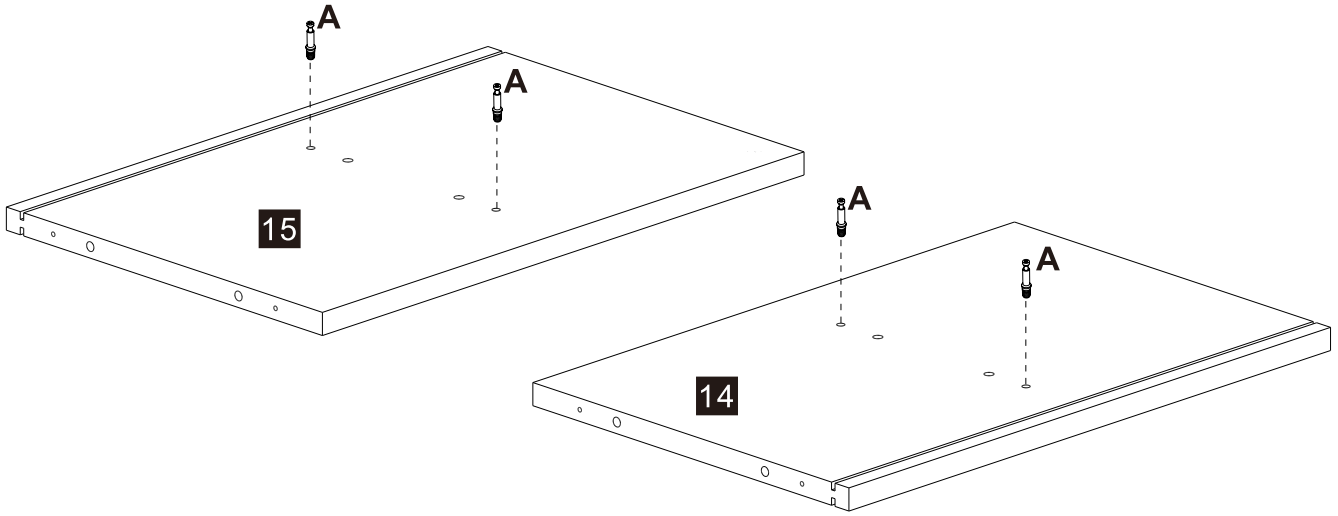
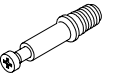


15



16

A x 4

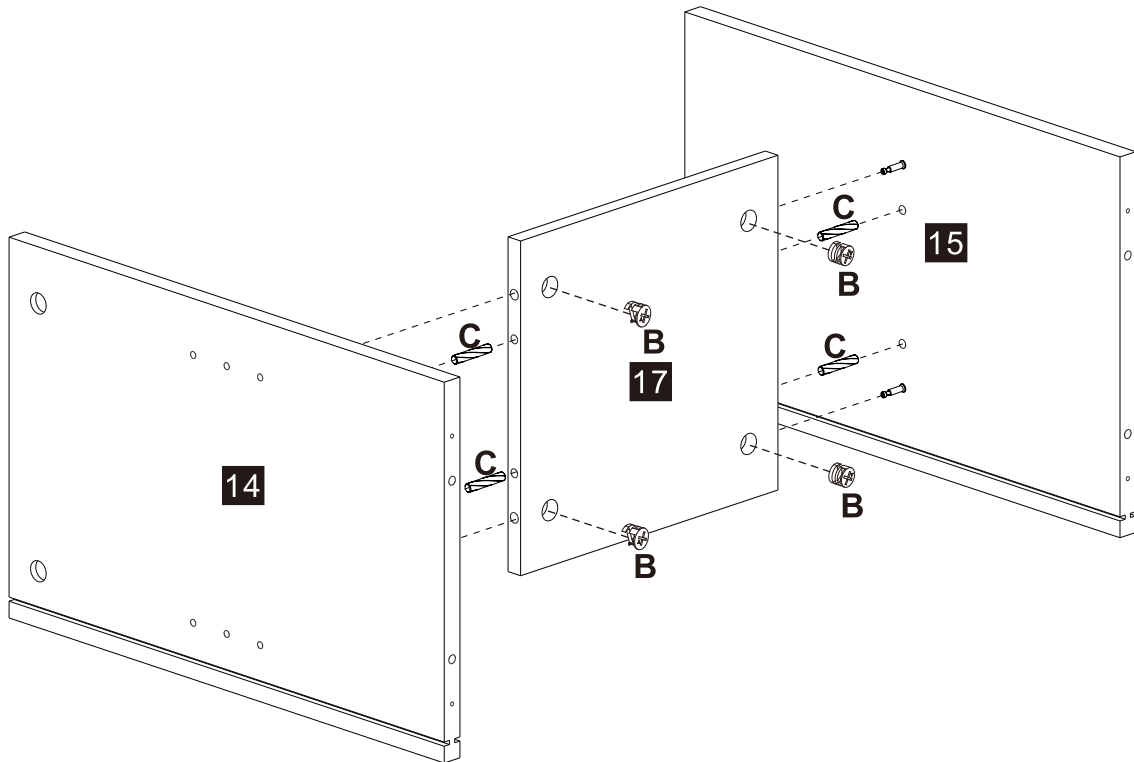


17

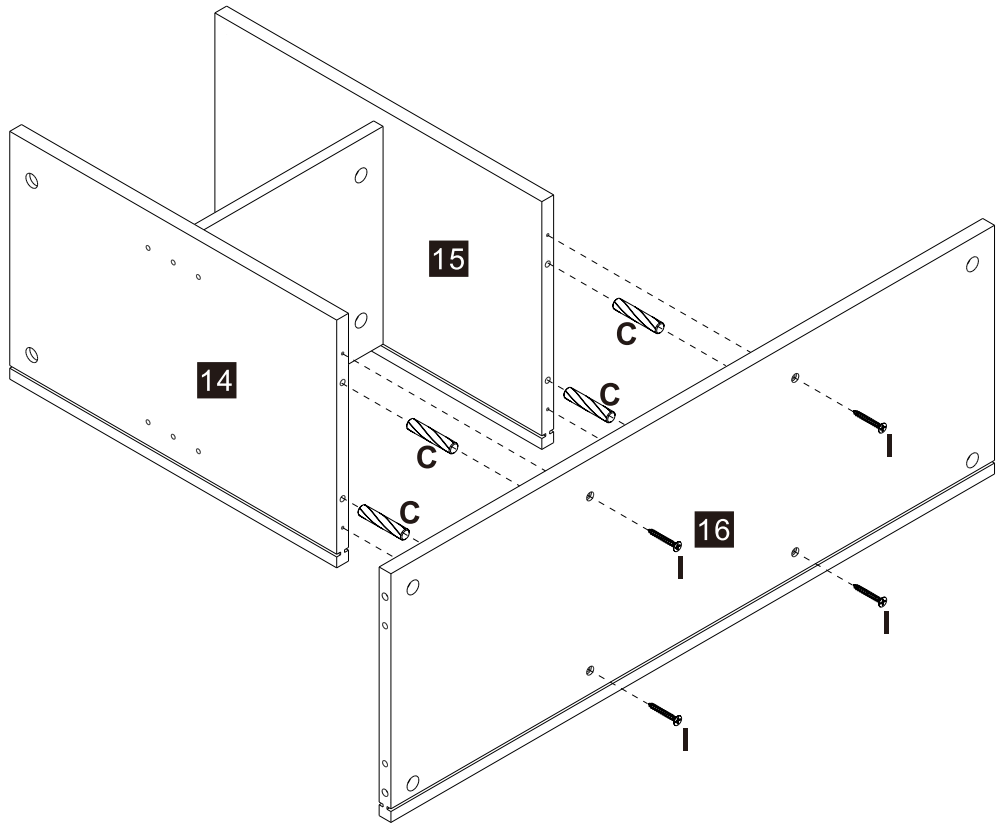
B x 4



C x 4



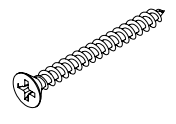
18



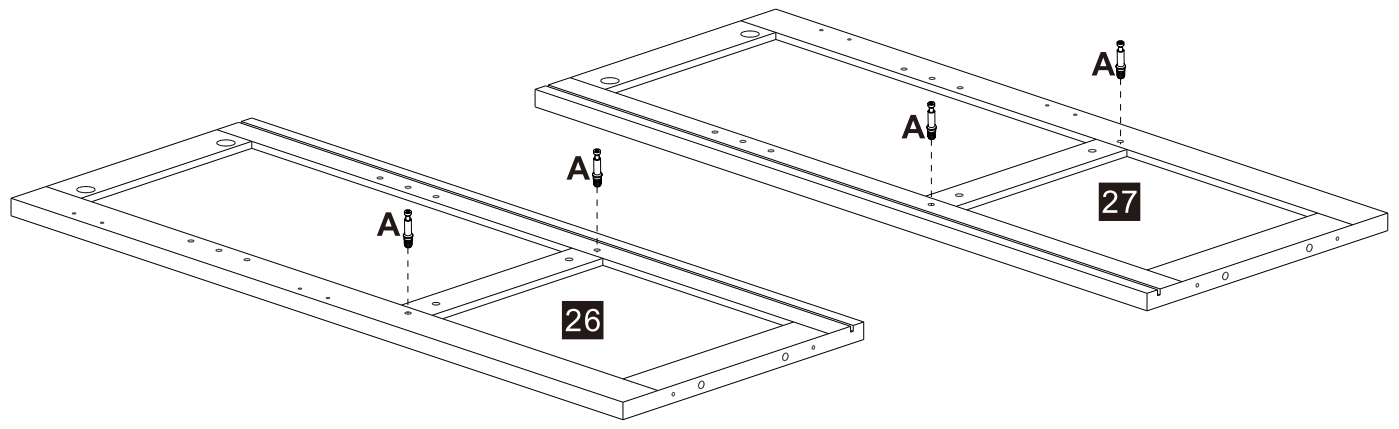
C x 4



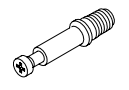
I x 4



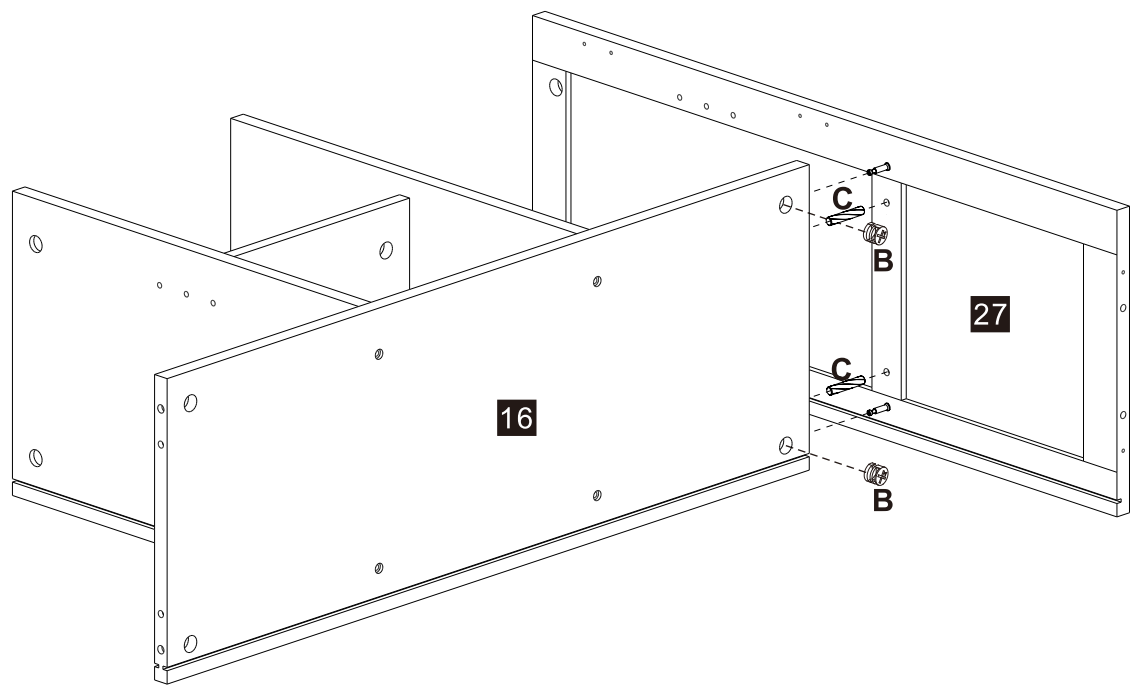
19



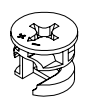
A x 4



20



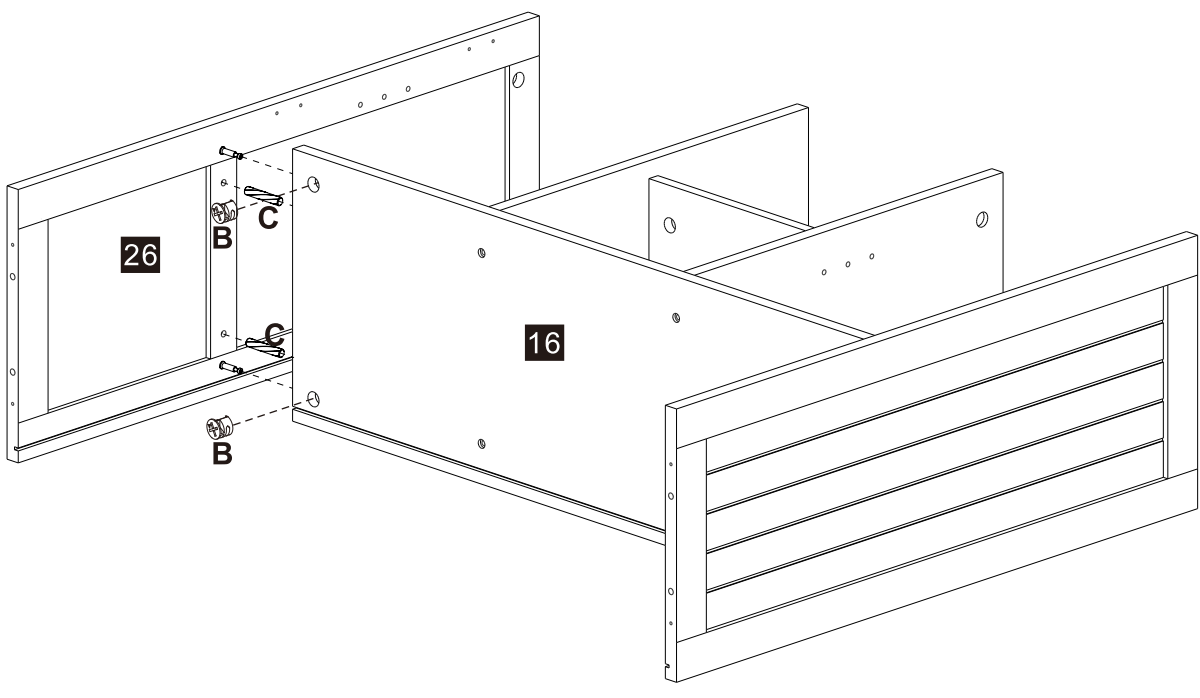
B x 2



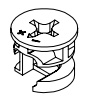
C x 2



21



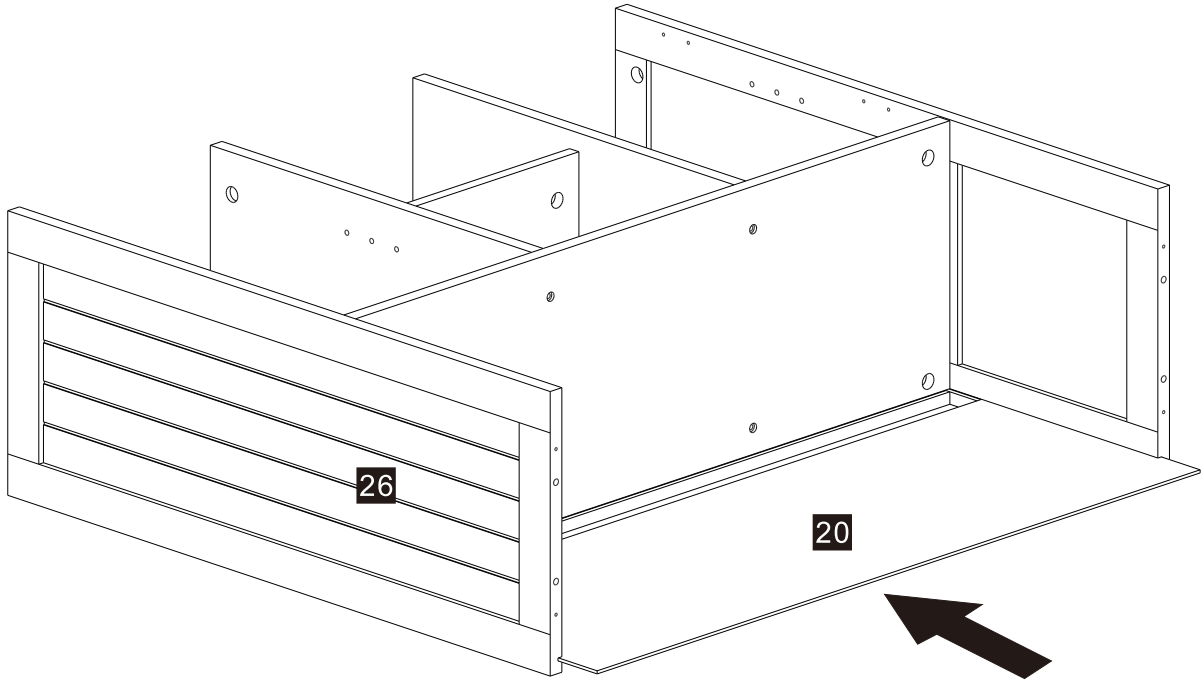
B x 2



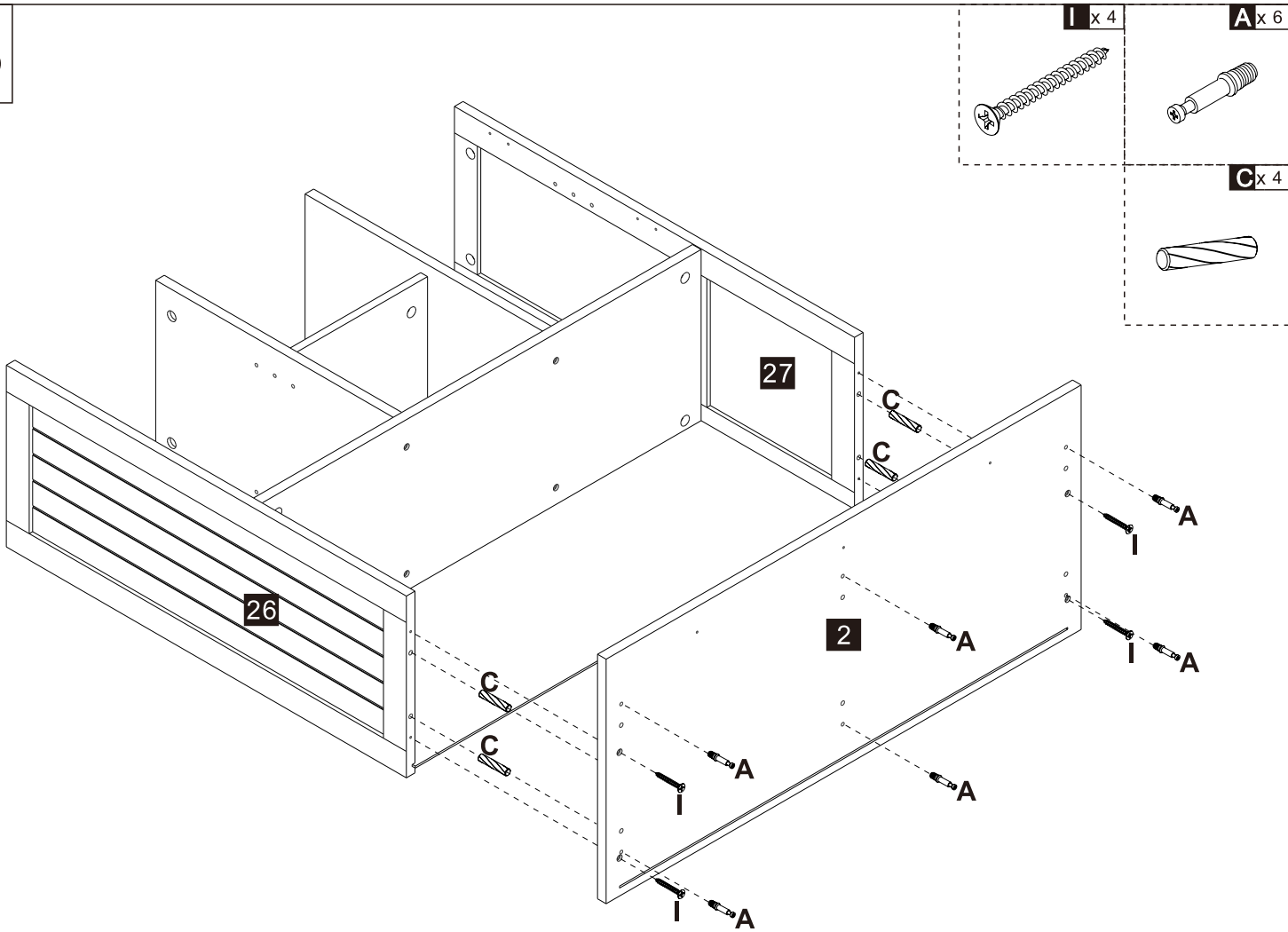
C x 2



22

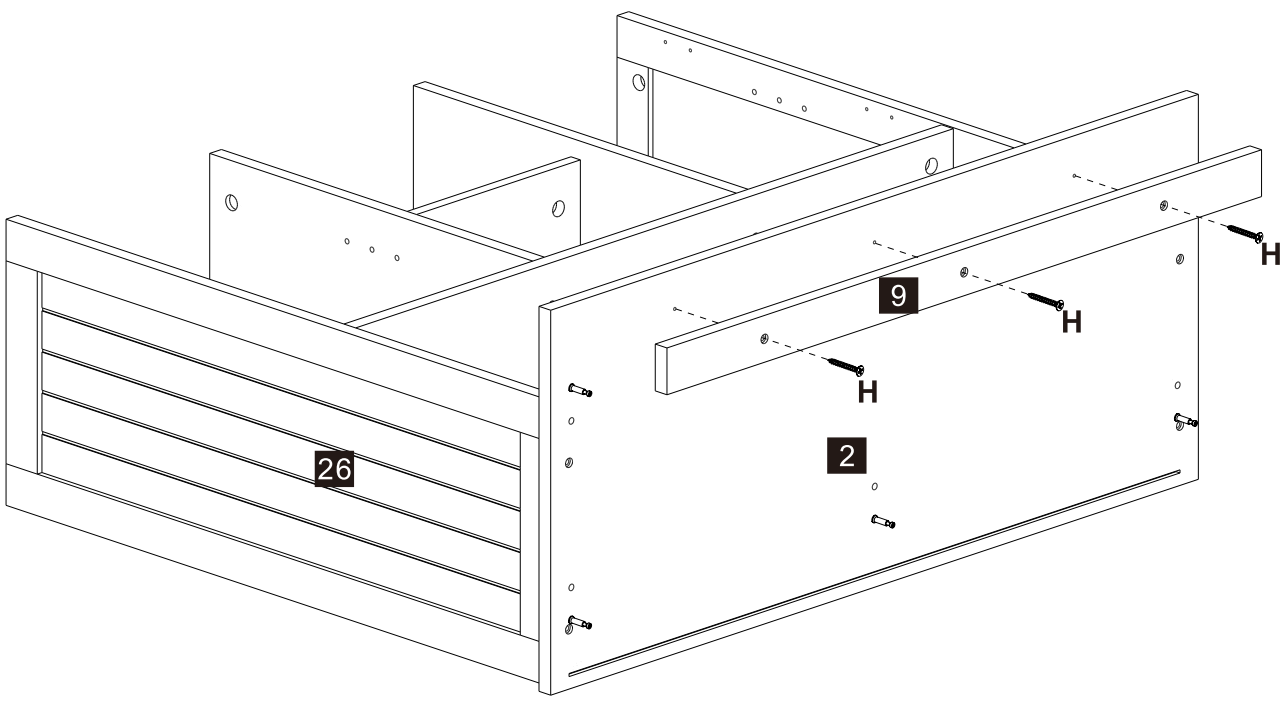


23

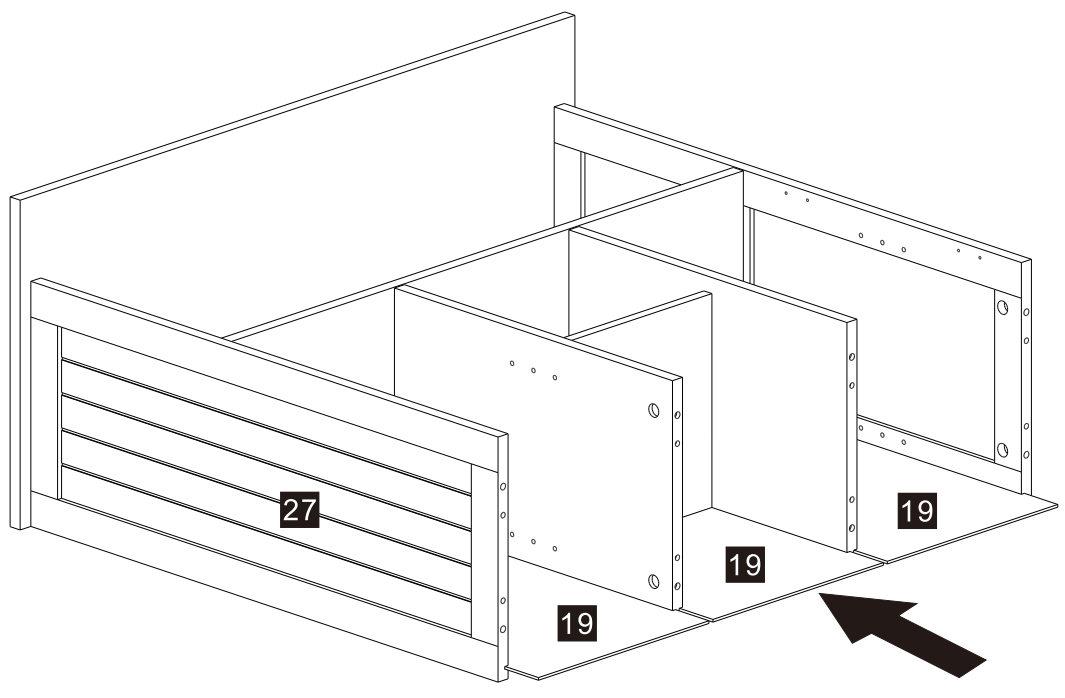


24

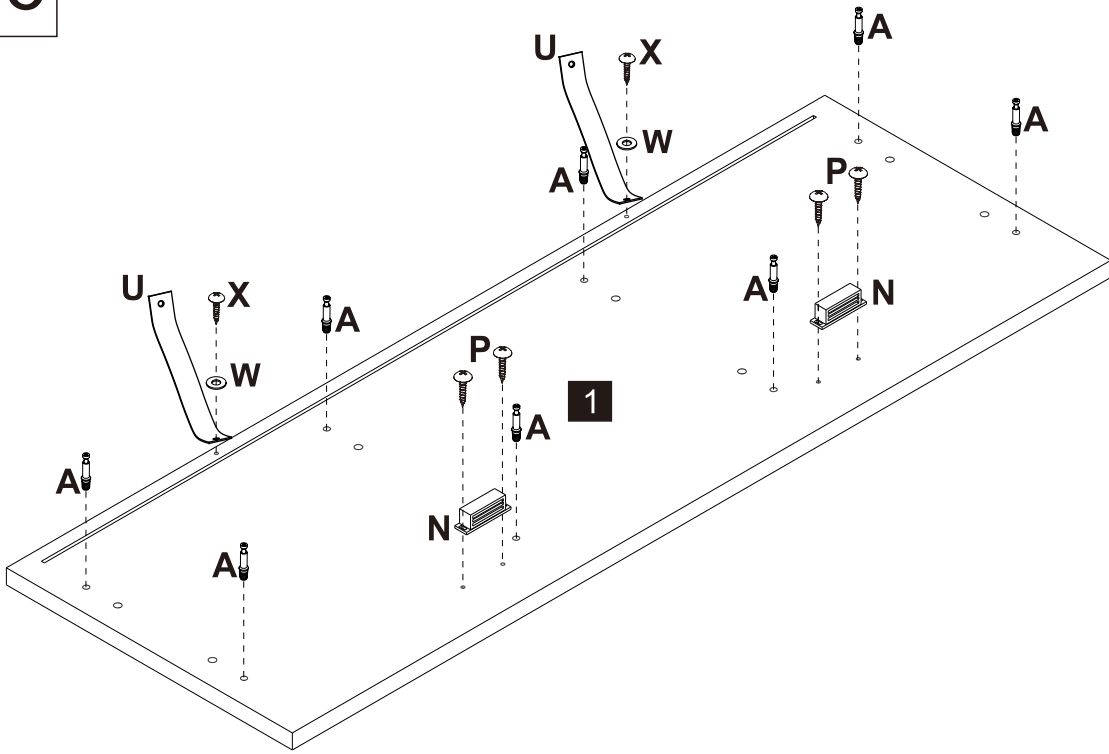
H x 3



25

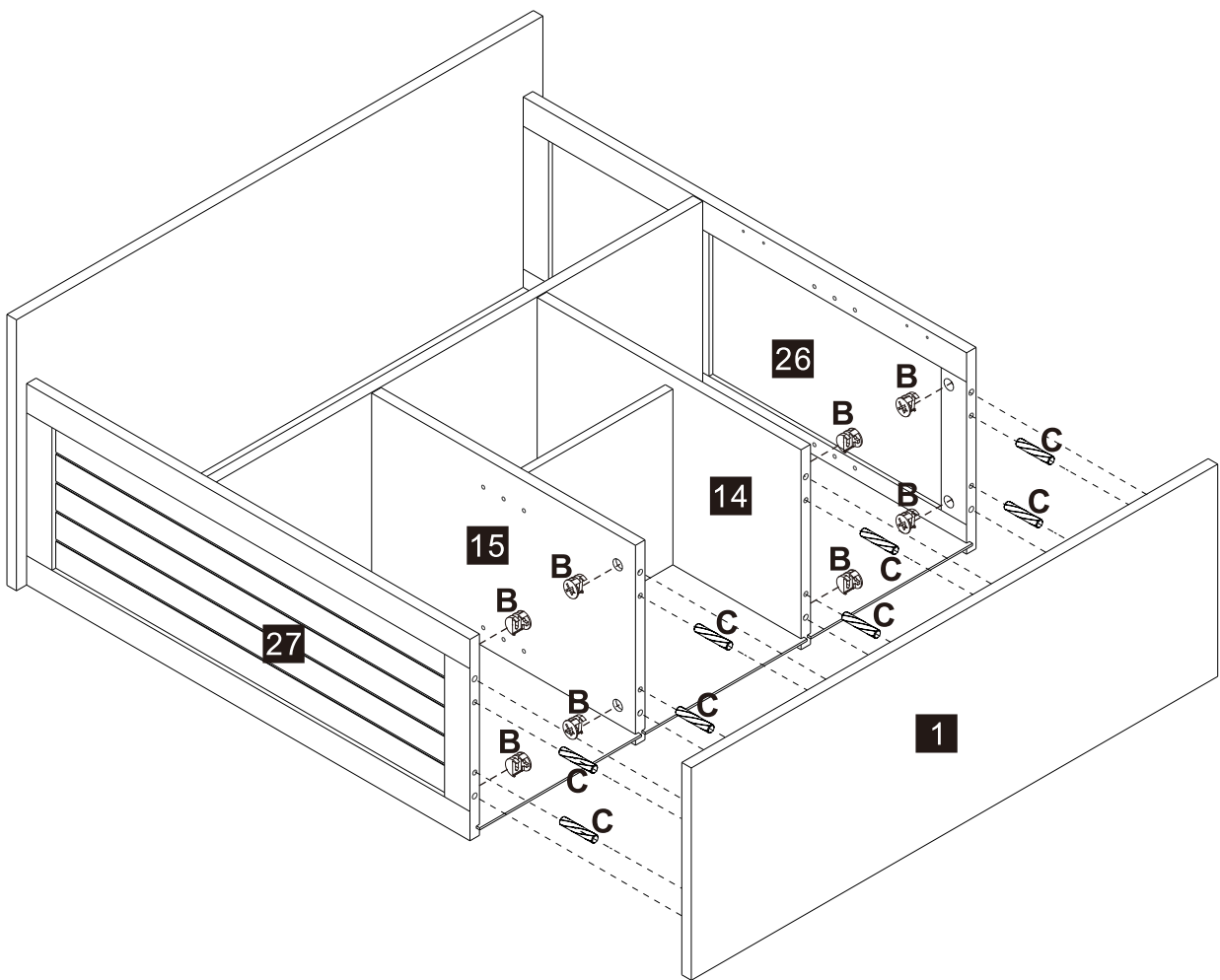


26

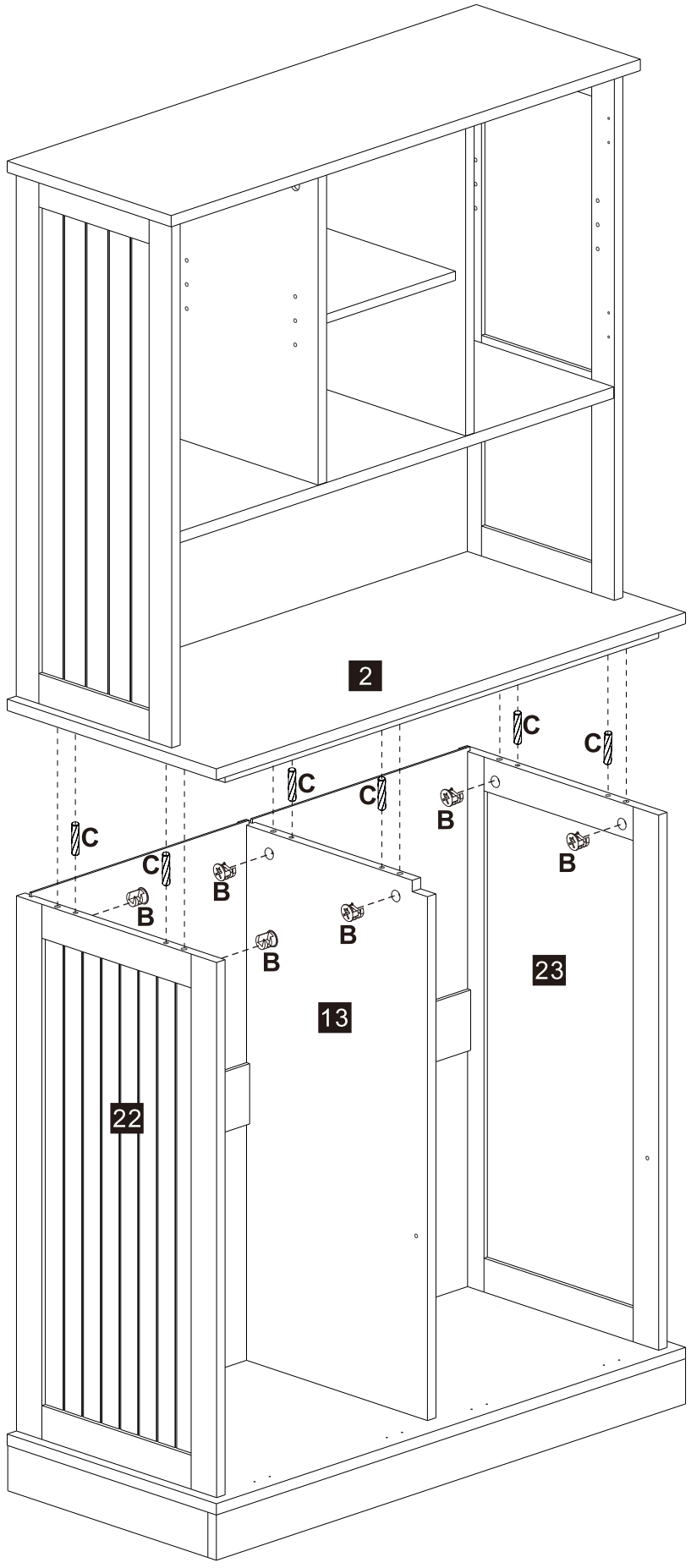


W x 2	A x 8
X x 2	N x 2
P x 4	U x 2

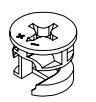
27




B x 8
C x 8



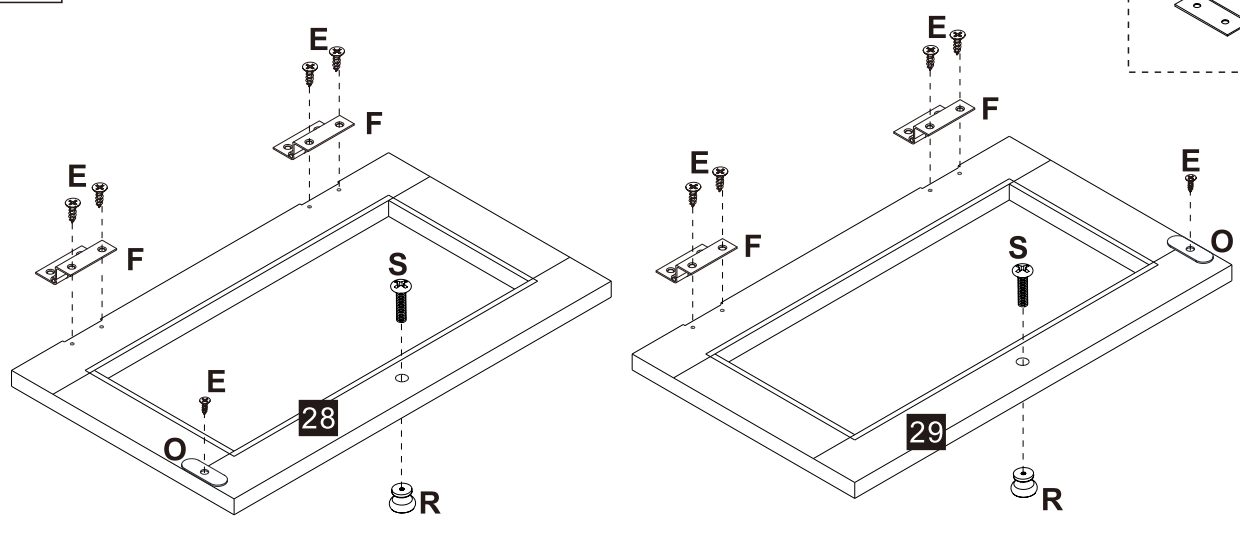
B x 6



C x 6



29



F x 4

E x 10

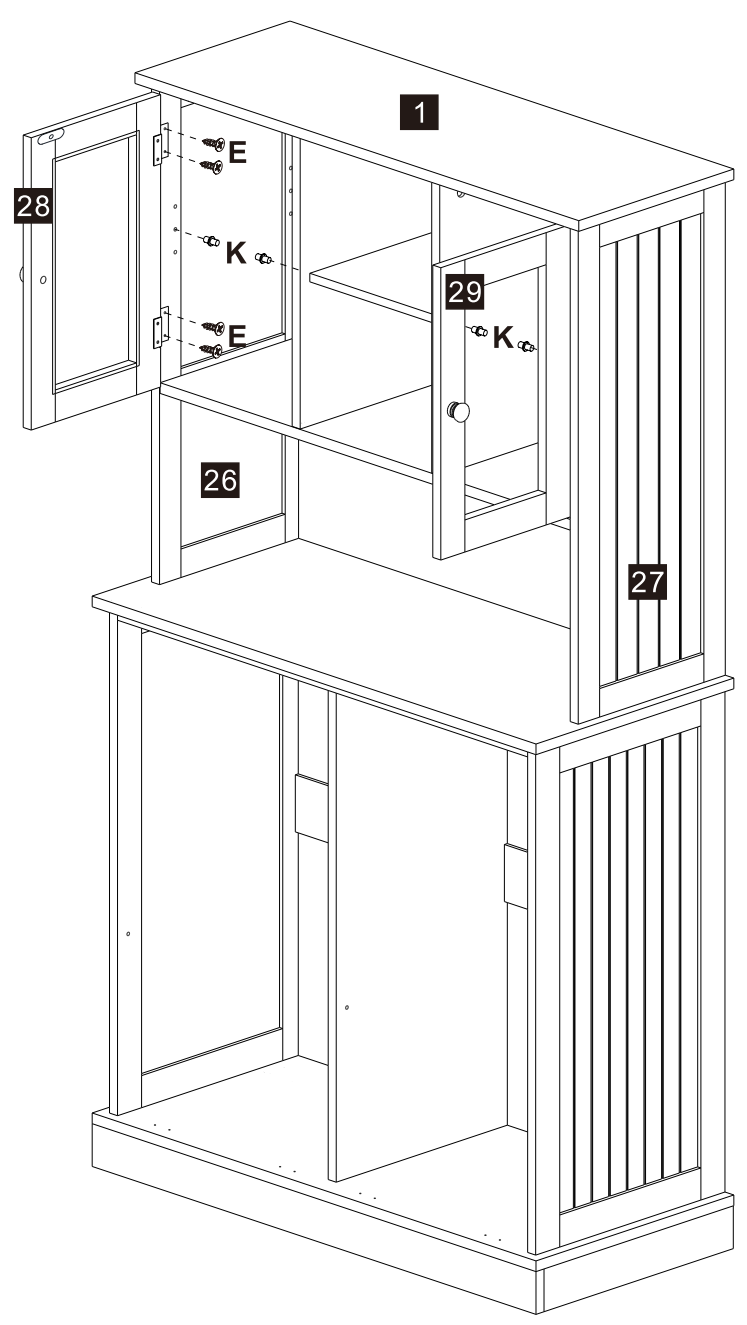
O x 2

R x 2

S x 2

Parts list for step 29: F (4), E (10), O (2), R (2), S (2).

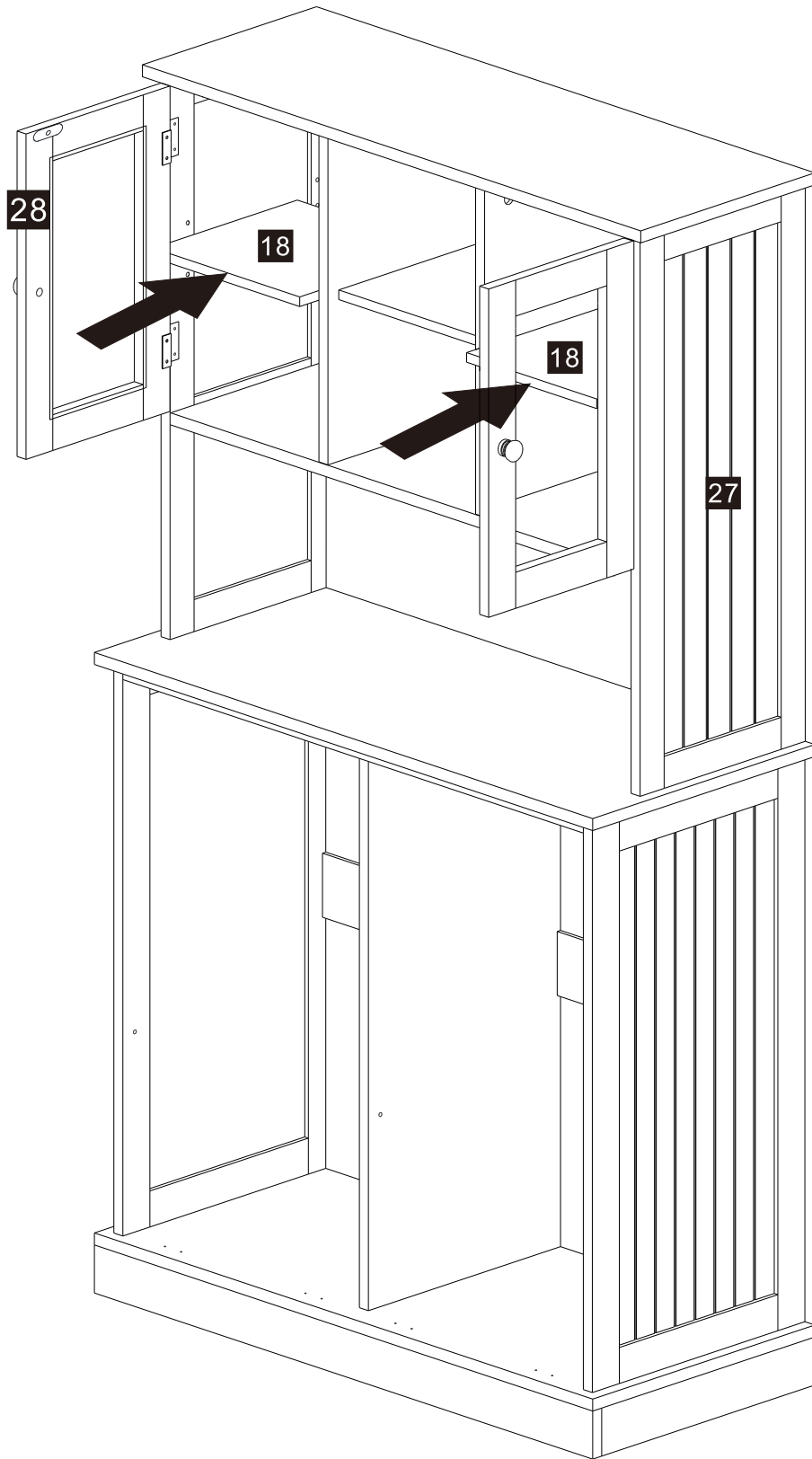
30

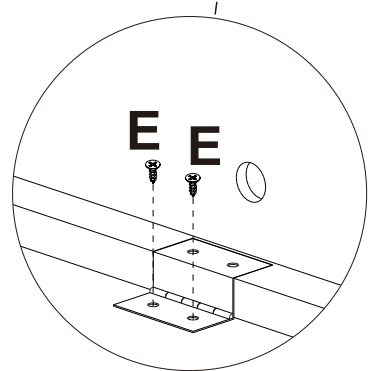
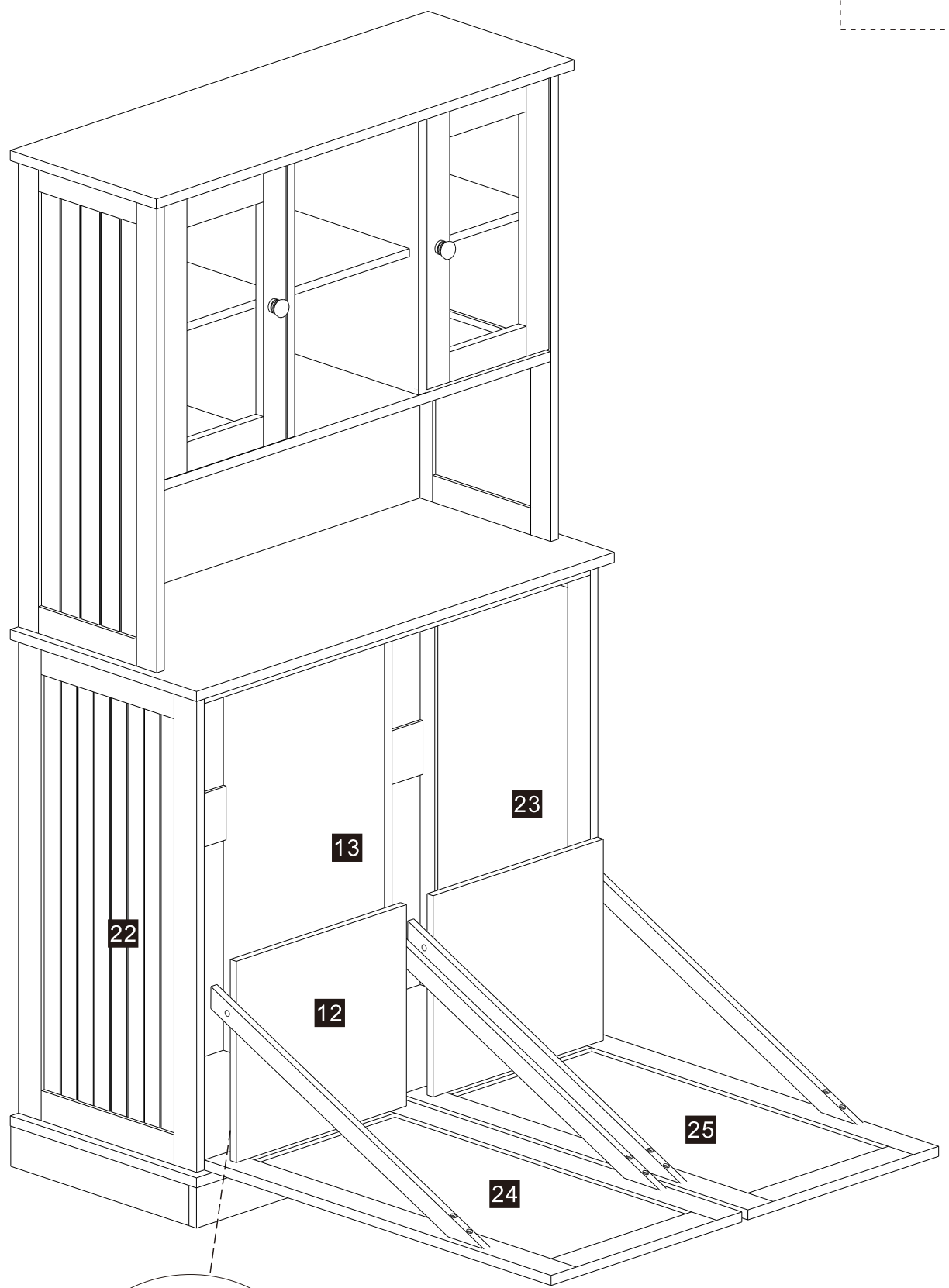


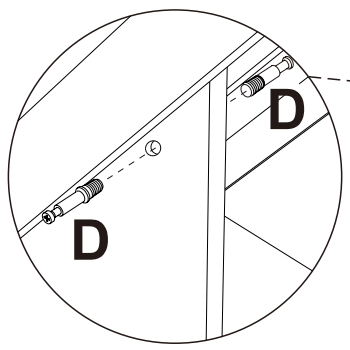
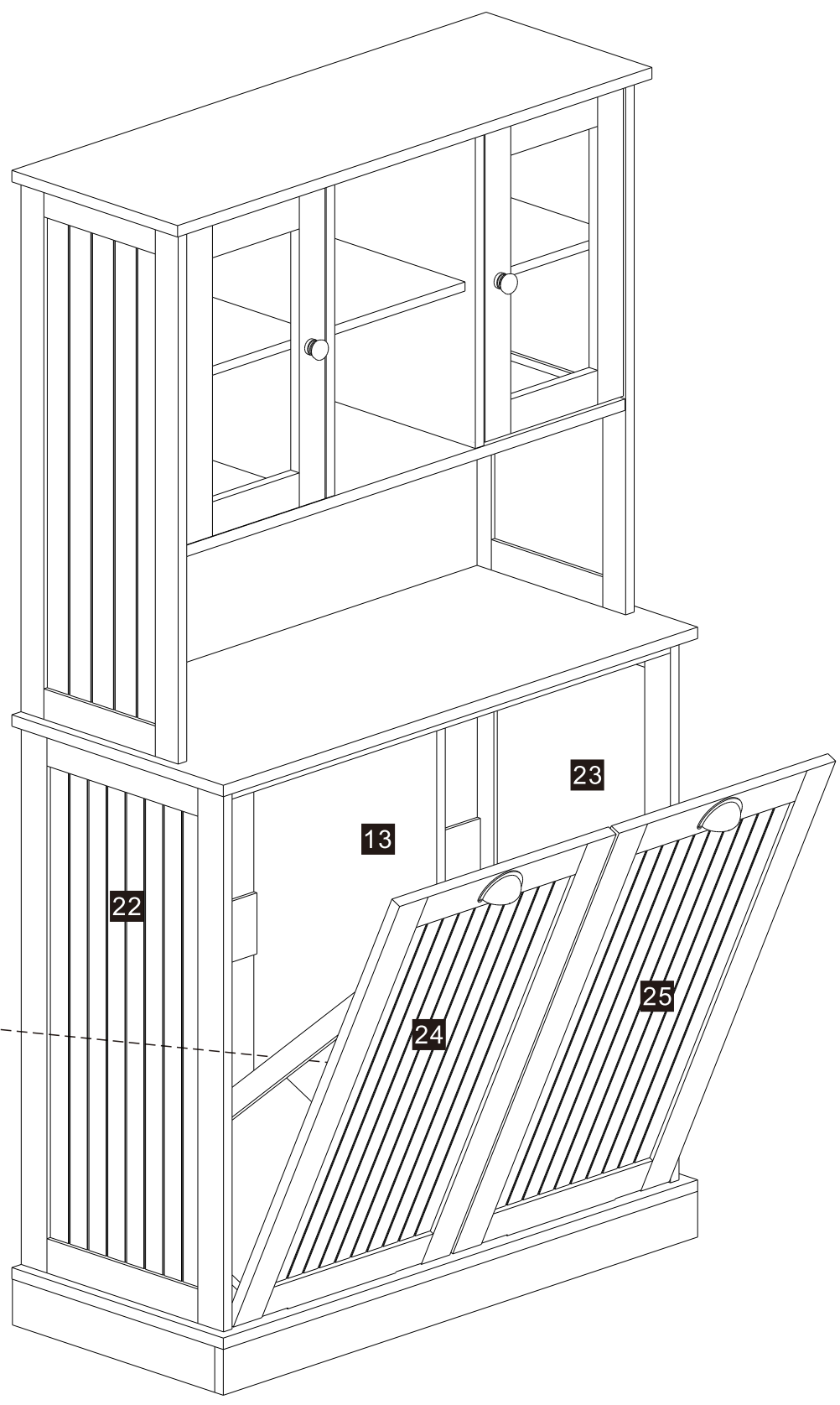
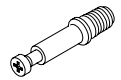
E x 8

K x 8

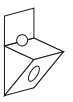
Parts list for step 30: E (8), K (8).







Lx16



Mx16



3x14mm

