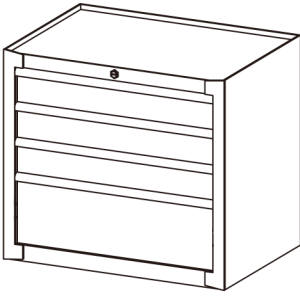
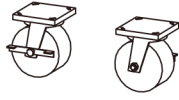


Ax1



Bx2



Dx16



Fx16


 $M6 \times \frac{16}{0.6}$

Hx1



Cx1



Ex16



Gx4

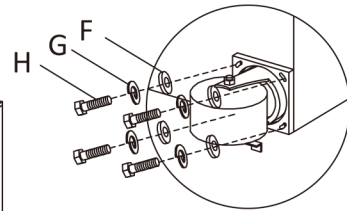
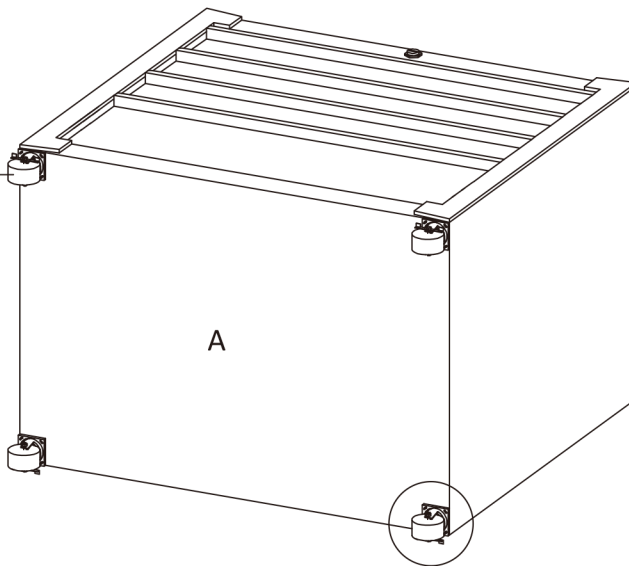

 $M6 \times \frac{12}{0.4}$


x1

 $\frac{\text{mm}}{\text{inch}}$

①

Bx2



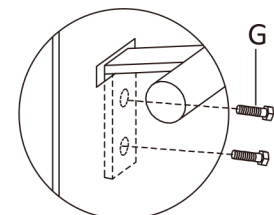
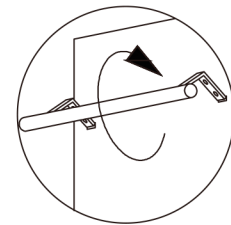
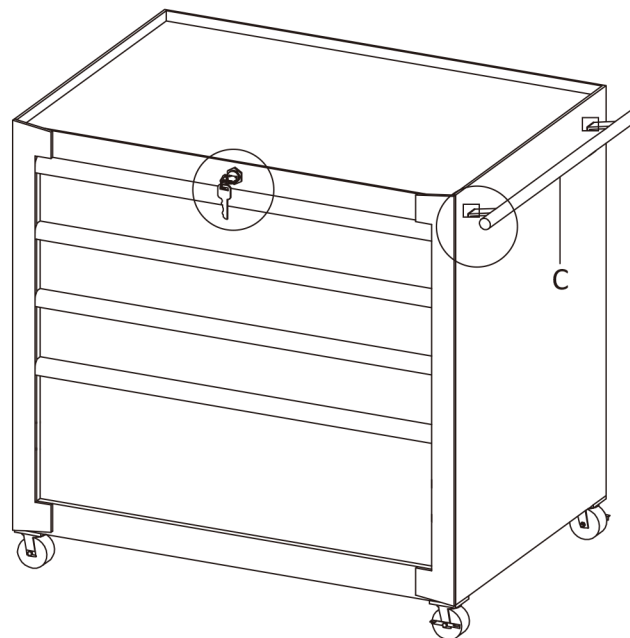
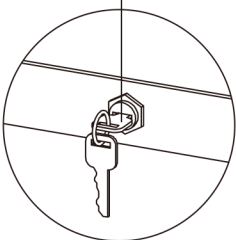
Fx16

Ex16

Dx16

②

H



Gx4