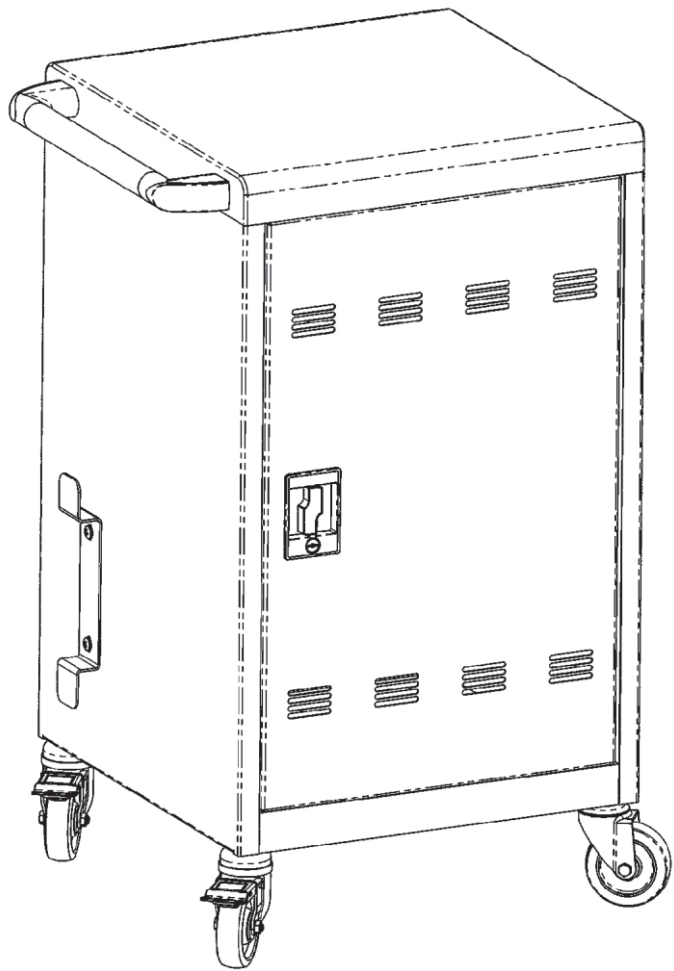


—ARTMAN—

Charge Cart B30 Assembly Instructions



Tools Required:

- Phillips Screwdriver

Tools Included:

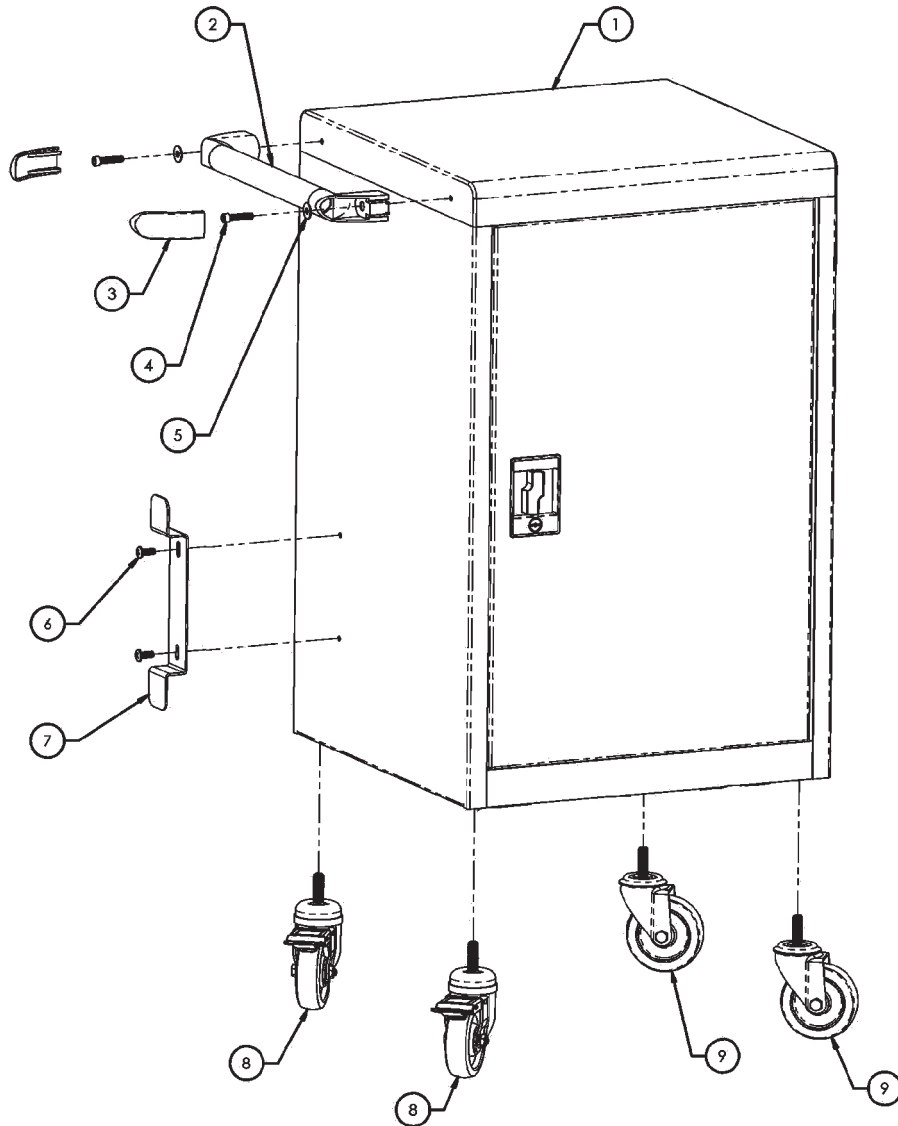
- 1 Wrench
- 1 Allen Wrench

Unpacking the Cart:

1. Cut Straps and lift box Top up to remove top portion of Box/Packaging.
2. Lift Cart out of the bottom portion of the Box/Packaging.
3. Remove parts box from the top shelf inside the Cart.

— ARTMAN —

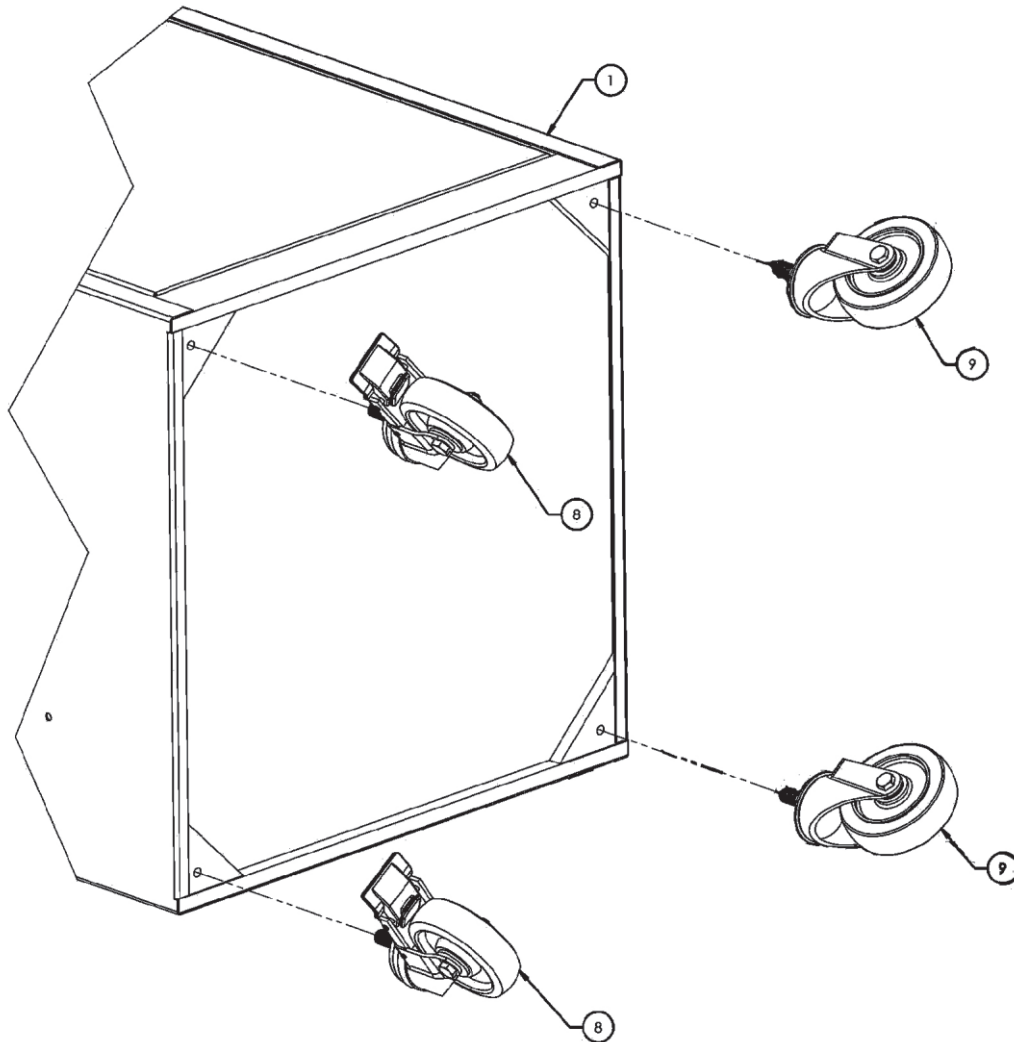
Charge Cart B30 Assembly Instructions



Item No.	Description	Qty.
1	Cart Frame	1
2	Handle	1
3	Handle Cover	2
4	Socket Head Cap Screw (M8 1.25 x 35mm Long)	2
5	Washer	2
6	Screw (M6-1.0 x 12mm Long)	2
7	Cable Management Bar	1
8	Caster With Break	2
9	Caster without Break	2

— ARTMAN —

Charge Cart B30 Assembly Instructions

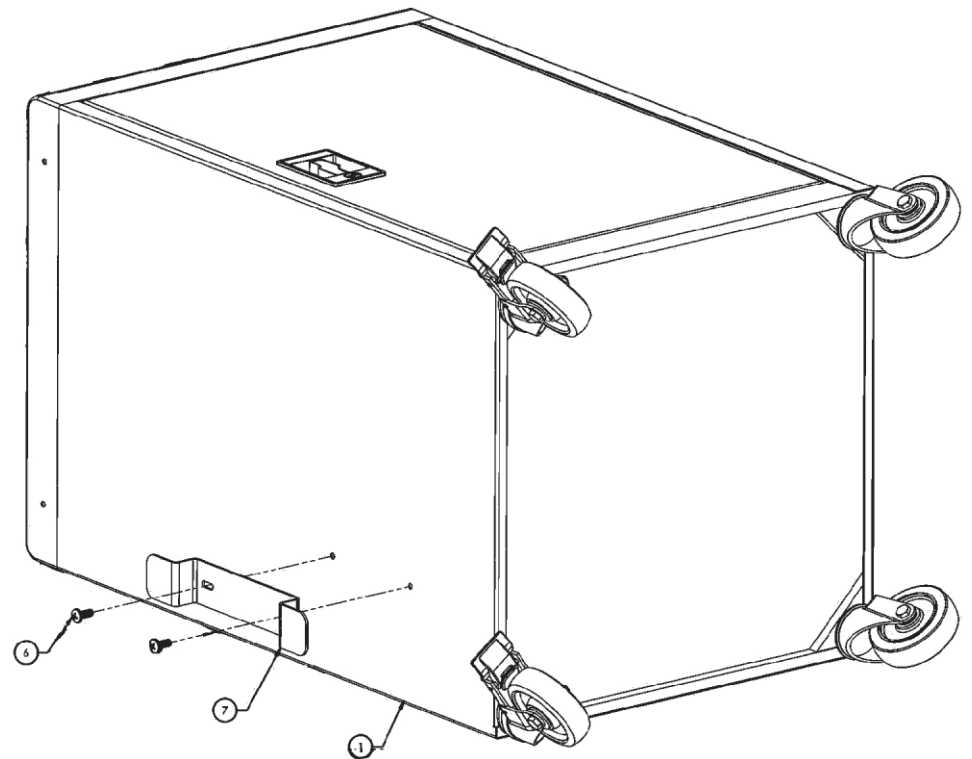


Installing the Casters:

1. With the Cart on the Side, Align and insert casters into the four holes on the bottom of the cart. (The casters with breaks should be placed on the same side as the handle).
2. Use the included wrench to tighten the casters to the cart

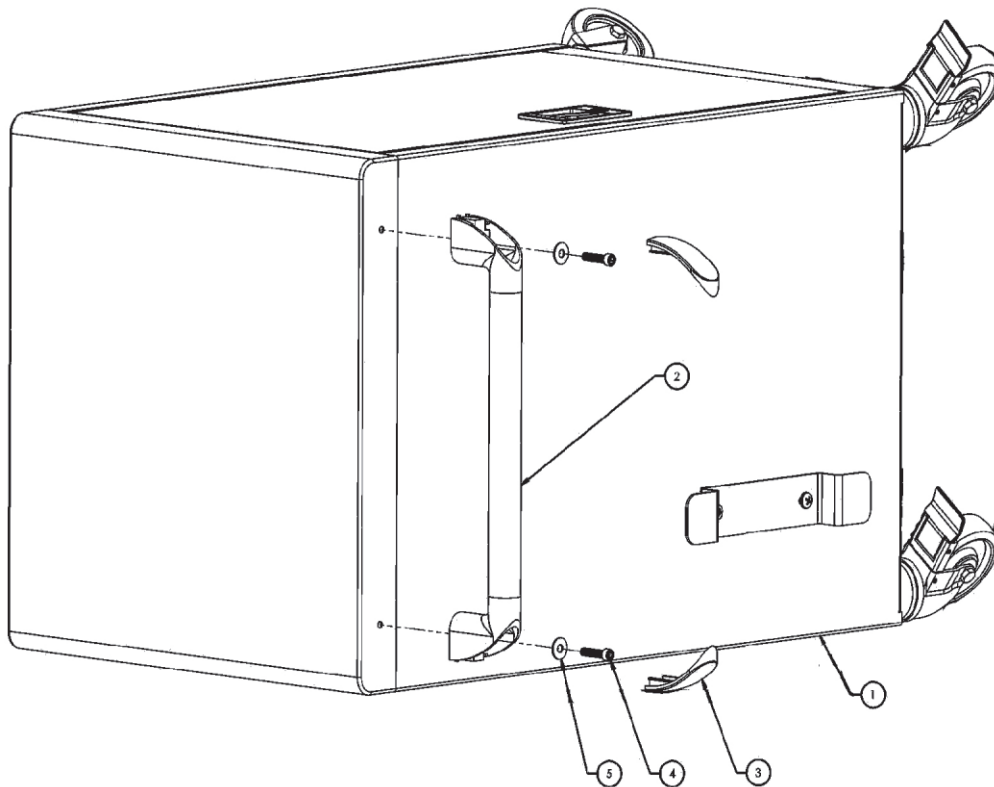
Installing the Cable Management Bar:

1. Align the Cable Management Bar with the two vertical holes on the side of the Charge Cart.
2. Attach the Cable Management Bar with the two screws provided using the Phillips Screwdriver.



— ARTMAN —

Charge Cart B30 Assembly Instructions



Installing the Cart Handle:

1. Slide off to remove the cover on the end of each side of the handle.
2. Align the Cart Handle with the two horizontal holes on the side of the cart.
3. Insert washer and bolt through the handle and into the cart on both ends of the Cart Handle.
4. Tighten the bolt using the included Allen Wrench.
5. Replace the hole cover by sliding in each end back into place.