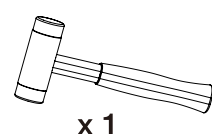
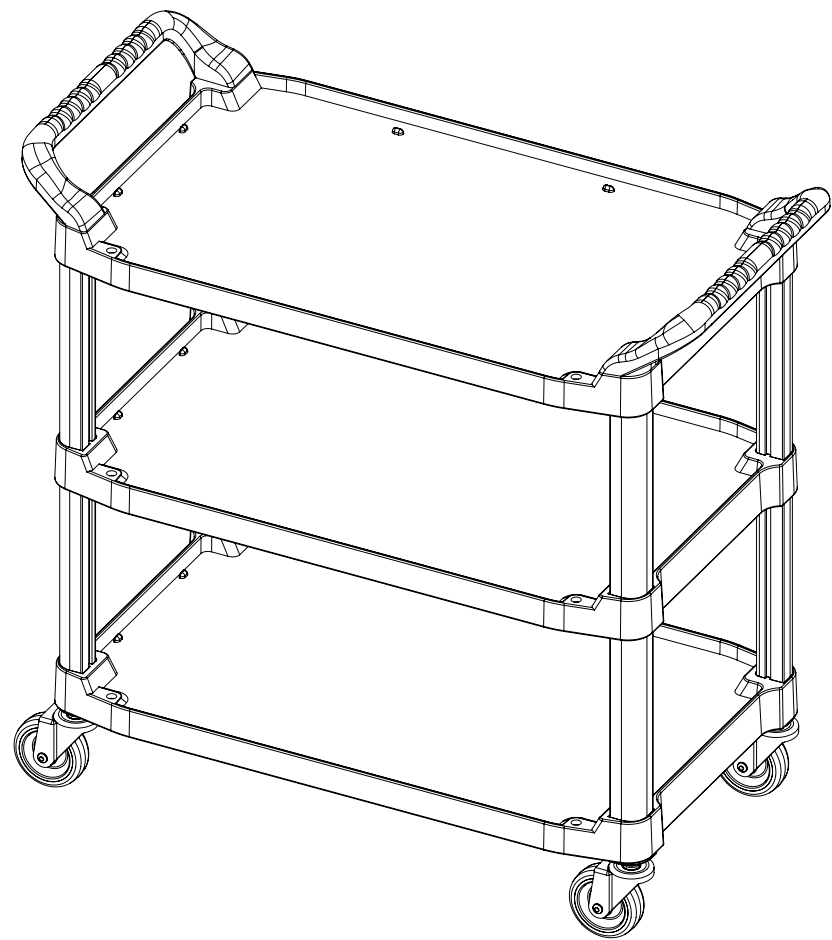
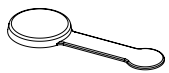


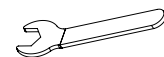
ART MAN



x1
Hammer



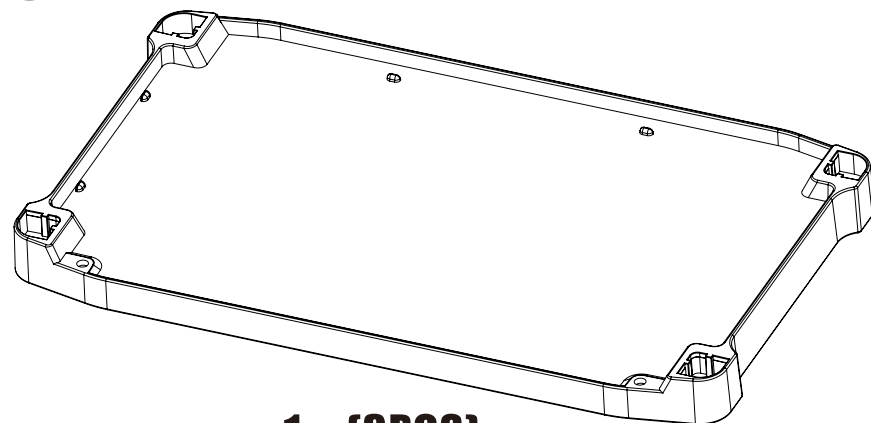
x1
Plastic cushion



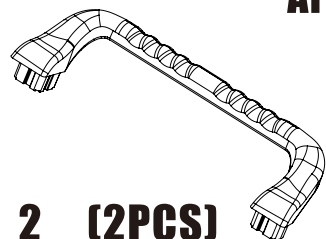
x1
Wrench



Plastic panel

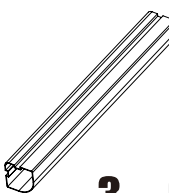


1 (3PCS)



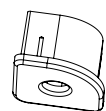
2 (2PCS)

Armrest



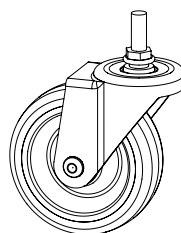
3 (8PCS)

Triangular aluminum tube



4 (4PCS)

Wheel hold

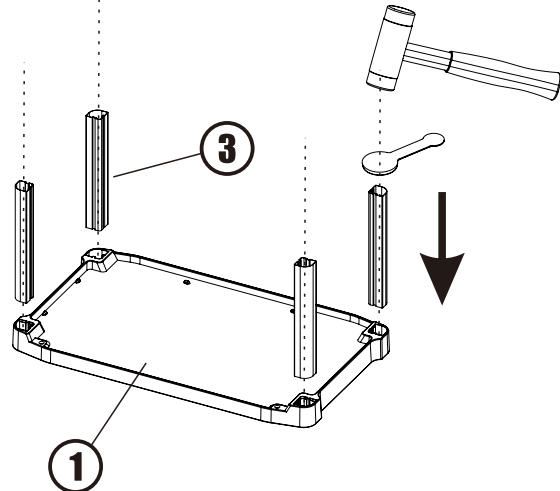


5 (4PCS)

Universal casters

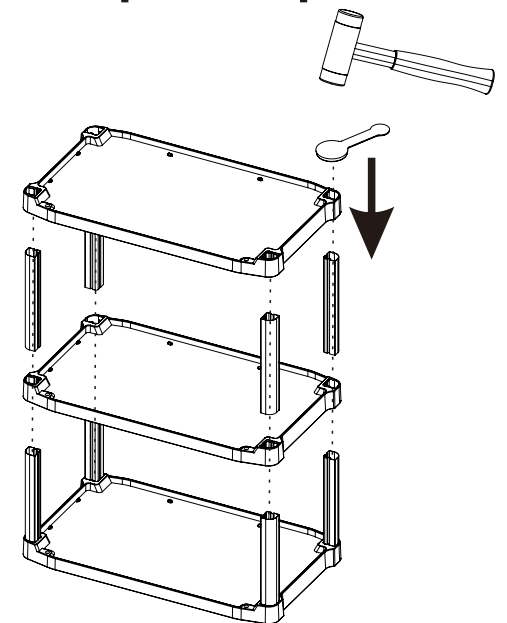
Step 1,

Locate the base plastic panel. Using a rubber mallet and cushioning pads, tap the triangular aluminum tubing into the grooves at the four corners of the shelf until the tubing alignment line is at the same level as the slot plane. Note: the plastic base plate is installed with the reverse side facing up.



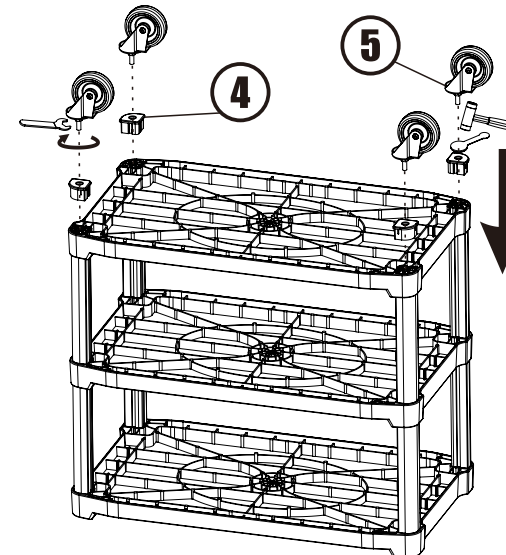
Step 2,

Repeat Step 1 to complete the top installation.



Step 3,

Turn the cart over and place the wheels hold on the bottom of the caster, then tap the caster with a rubber mallet. The bottom of the caster, then tap the caster into the hole with a rubber mallet and finally tighten the caster with a wrench. Note: Please do not directly tap the plastic part of the caster.



Step 4,

Place the cart upright and install the handles.

