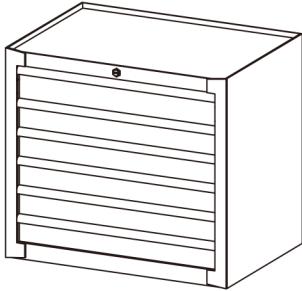


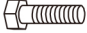





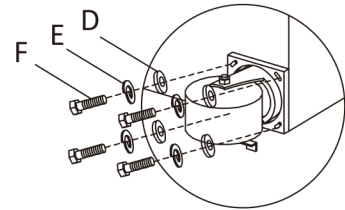
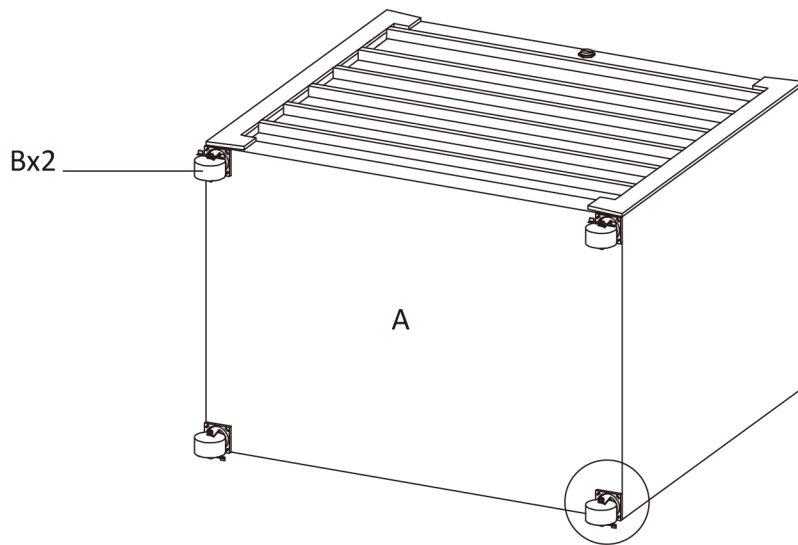


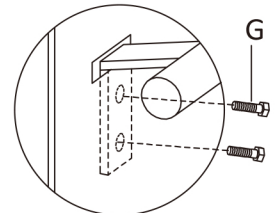
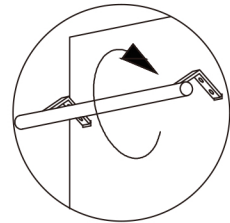
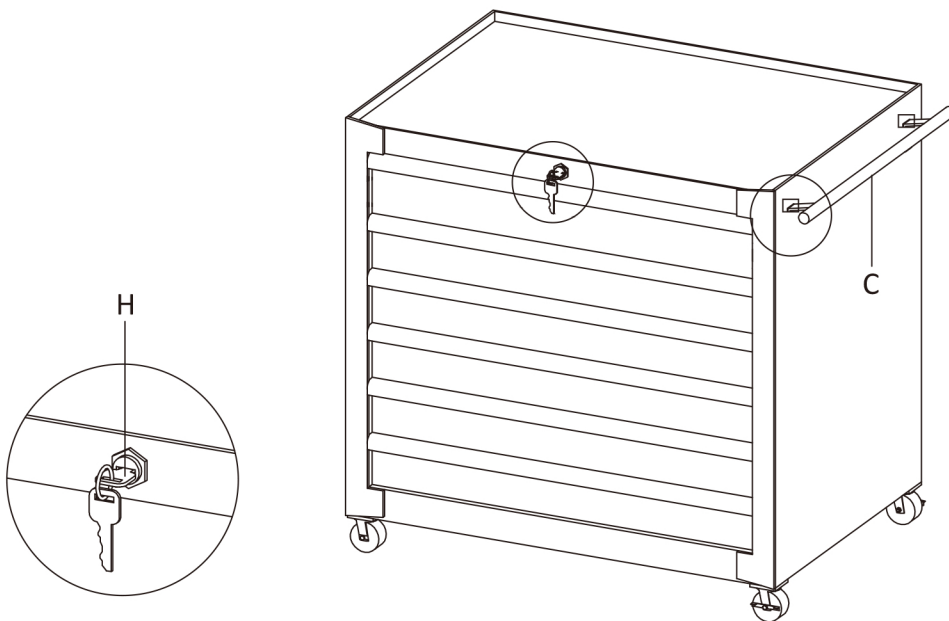
<p>Ax1</p> 	<p>Bx2</p> 	<p>Dx16</p> 	<p>Fx16</p>  <p>M6x $\frac{16}{0.6}$</p>	<p>Hx1</p> 
<p>Cx1</p> 	<p>Ex16</p> 	<p>Gx4</p>  <p>M6x $\frac{12}{0.4}$</p>	 <p>mm inch</p> <p>x1</p>	

1



Fx16	Ex16	Dx16
------	------	------

2



Gx4
