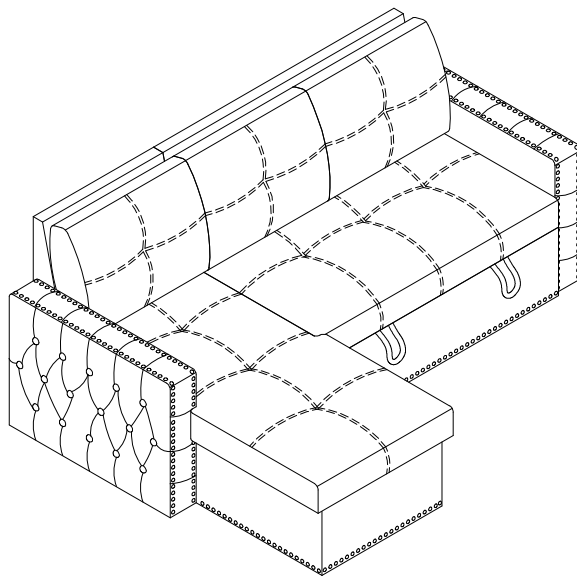
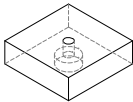



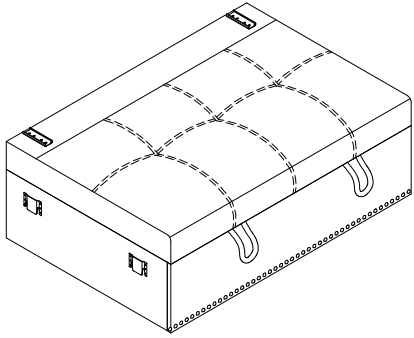
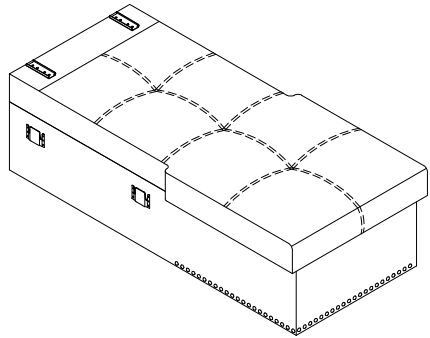
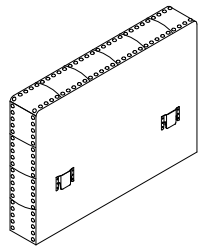
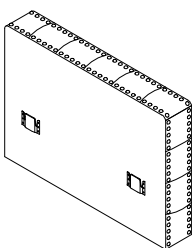
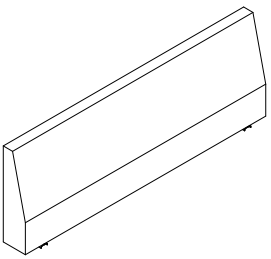
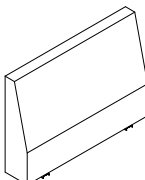
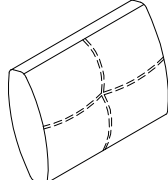


① ASSEMBLY INSTRUCTION

MODEL NO.HC5122

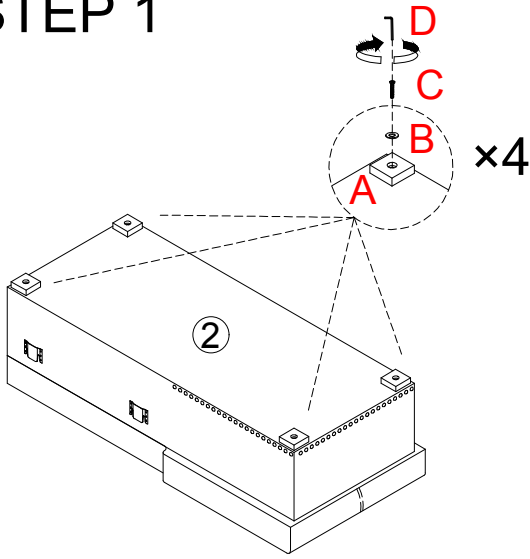


Components/QTY	Components/QTY	Components/QTY	
A 8PCS 	B 8PCS 	C 8PCS 	
D 1PC 			
① 1PC 	② 1PC 	③ 1PC 	
④ 1PC 	⑤ 1PC 	⑥ 1PC 	⑦ 3PCS 

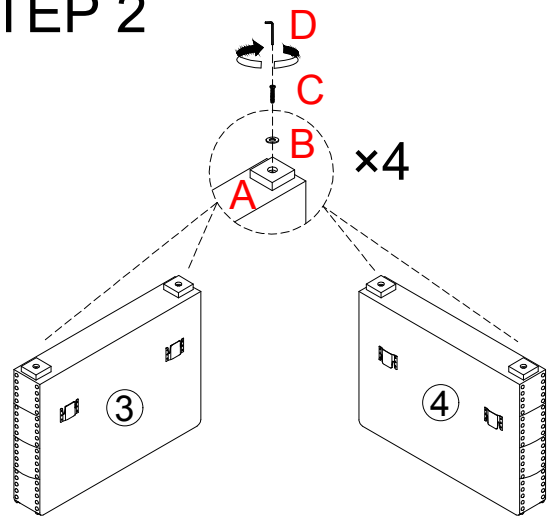
② ASSEMBLY INSTRUCTION

MODEL NO.HC5122

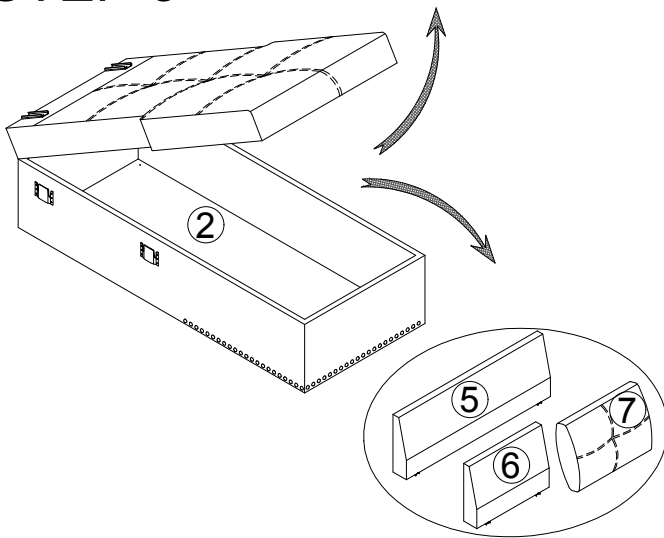
STEP 1



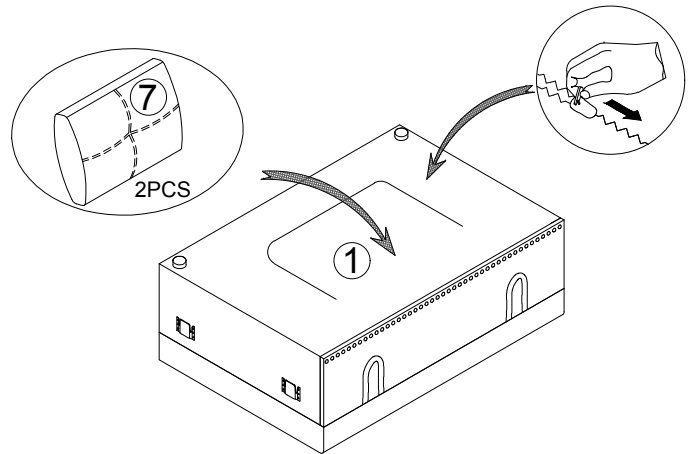
STEP 2



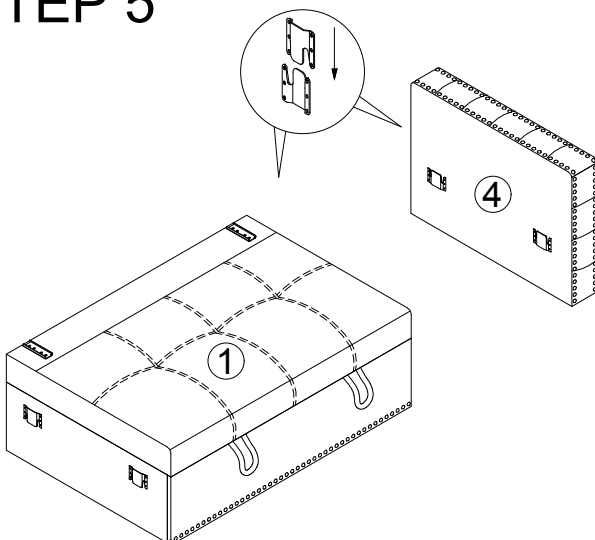
STEP 3



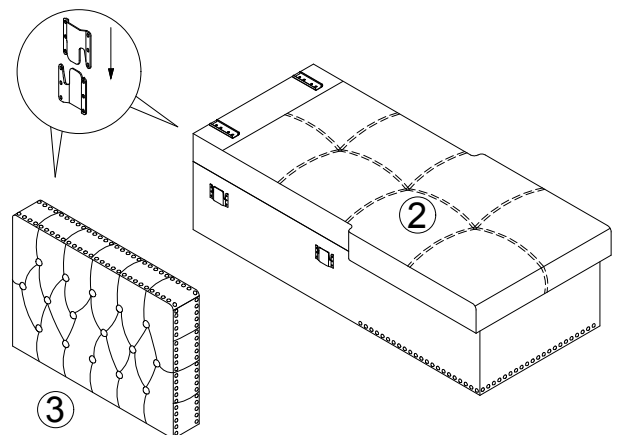
STEP 4



STEP 5



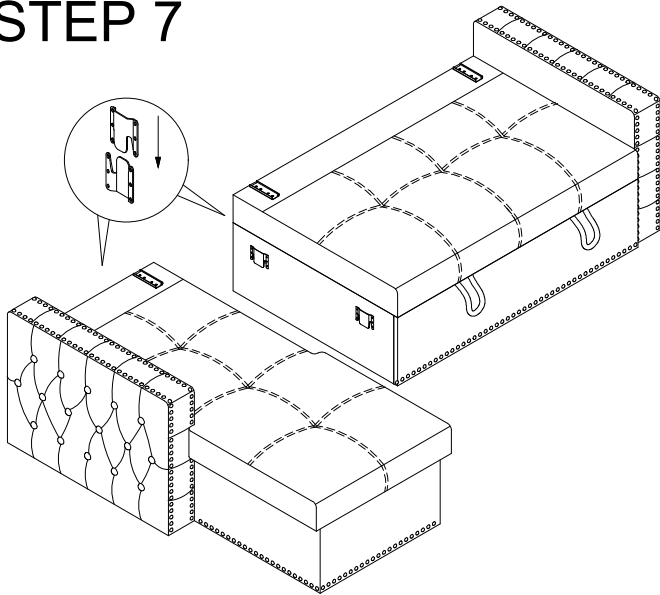
STEP 6



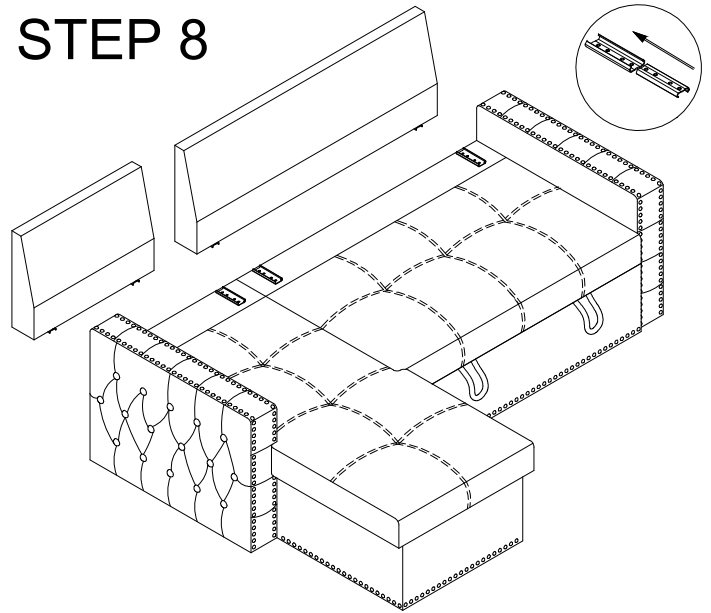
③ ASSEMBLY INSTRUCTION

MODEL NO.HC5122

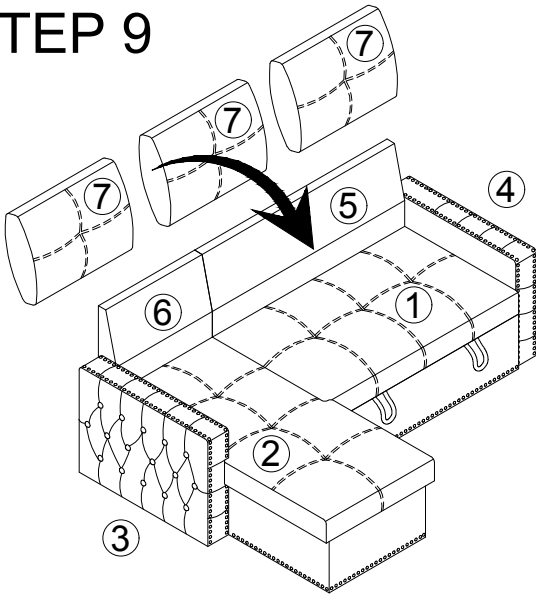
STEP 7



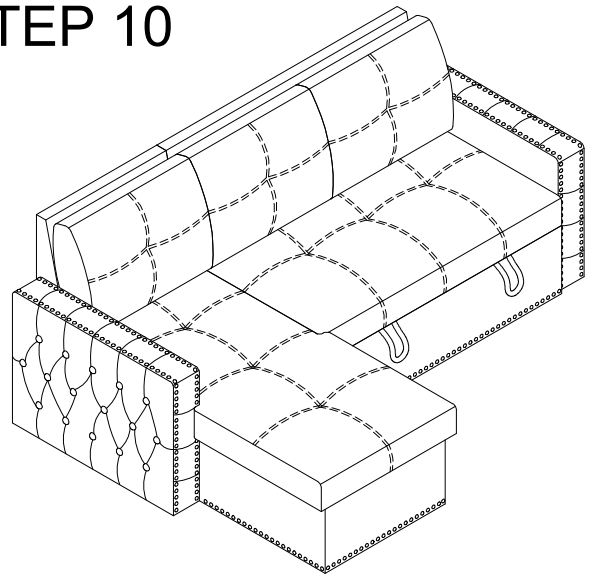
STEP 8



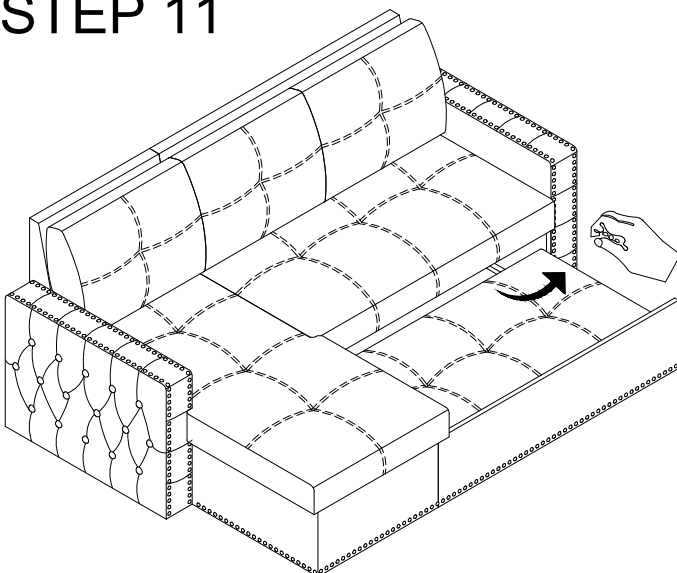
STEP 9



STEP 10



STEP 11



STEP 12

