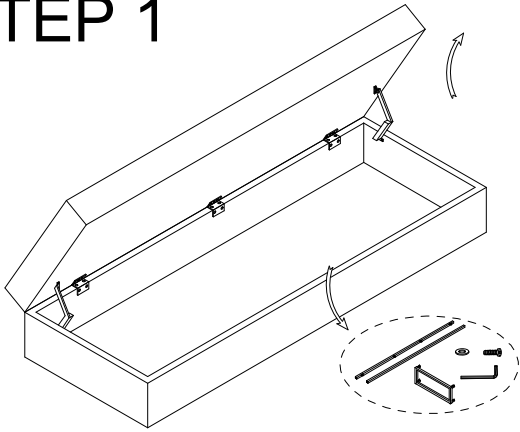


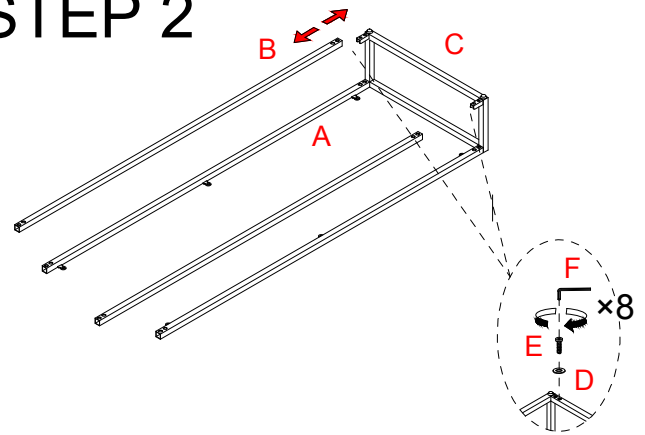
ASSEMBLY INSTRUCTION

MODEL NO.HC5599

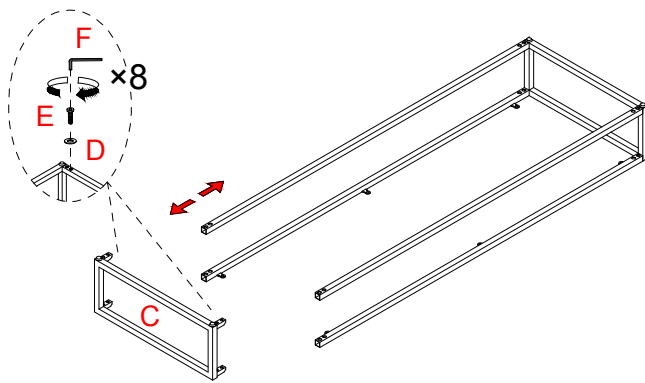
STEP 1



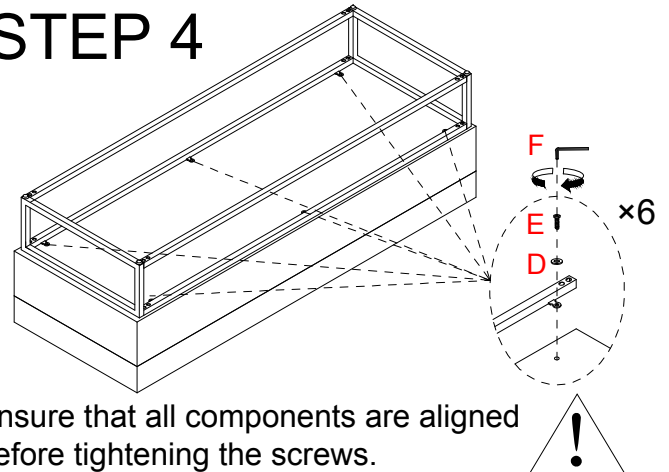
STEP 2



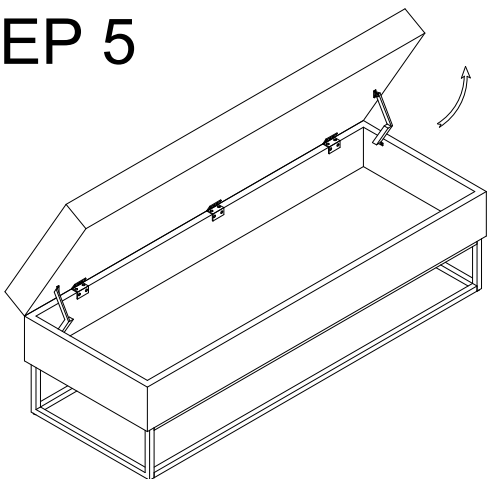
STEP 3



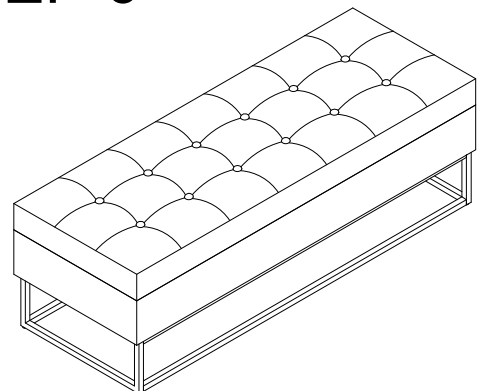
STEP 4



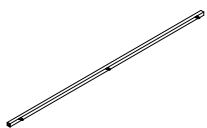
STEP 5



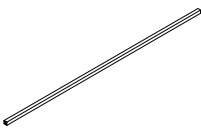
STEP 6



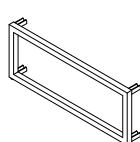
A 2PCS



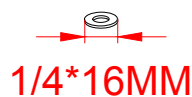
B 2PCS



C 2PCS



D 22PCS



E 22PCS



F 1PCS

