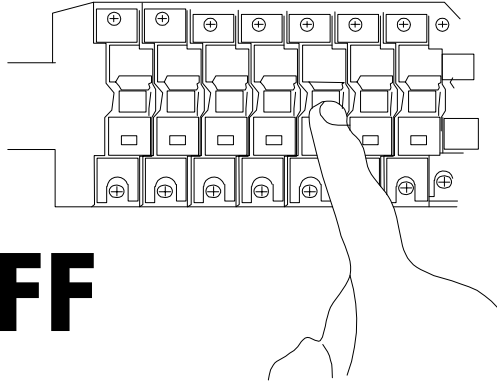


# Installation

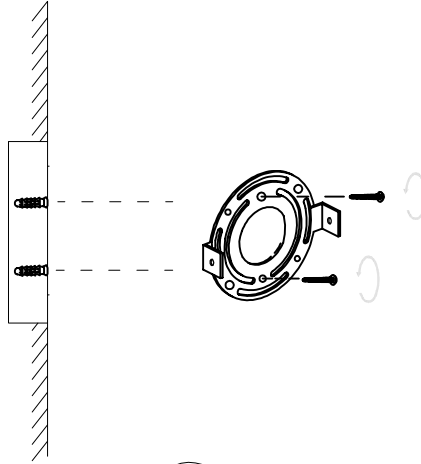
1



## STEPS

Turn off the power

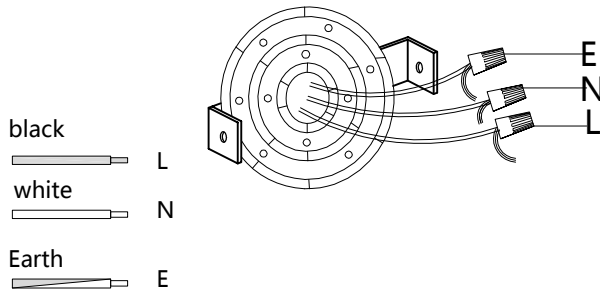
2



## STEPS

Install the mounting plate on the wall.

3

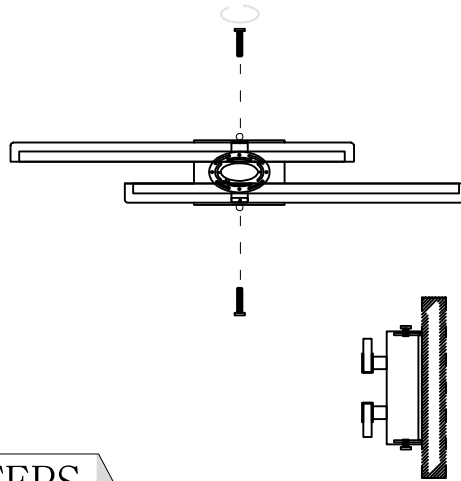


## STEPS

Connect the power wire of the lamp body to the reserved power cable.

Note: Pay attention to the positive and negative wiring.

4



## STEPS

Fix the lamp body on the wall with nuts.

## Caution:

1.Voltage: 120V

2.Power: 24W

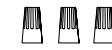
3.Please check if the accessories are all included before installation. If you encounter any problems, please contact our customer service immediately.

4. Please cut off the power before installation to prevent you from electric shock.

5.Please make sure to follow the instruction to install the light fixture.



Screw



Wire connector



Instruction