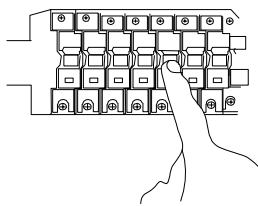
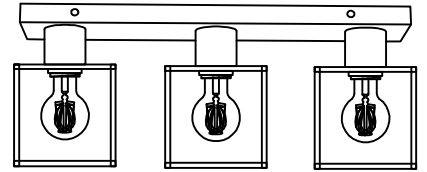
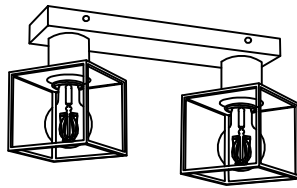
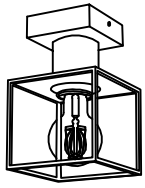
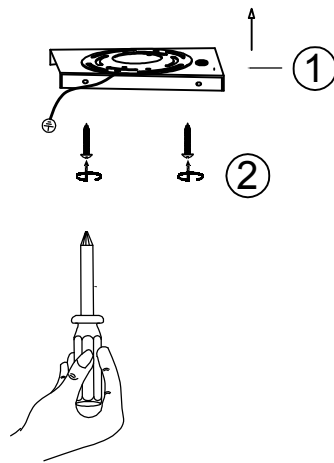


INSTRUCTIONS

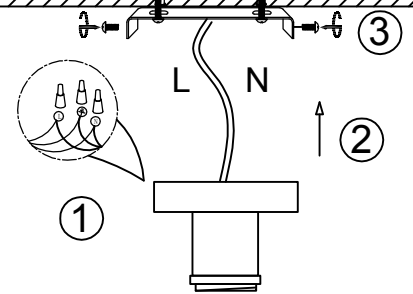


OFF

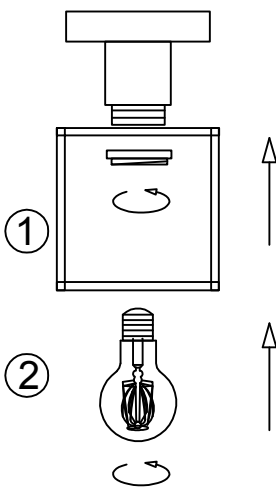
A



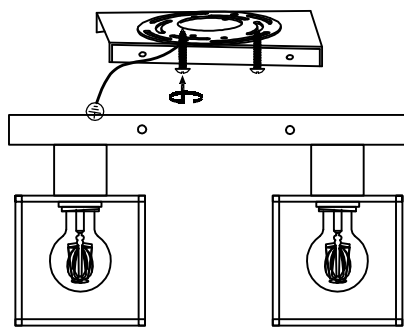
B



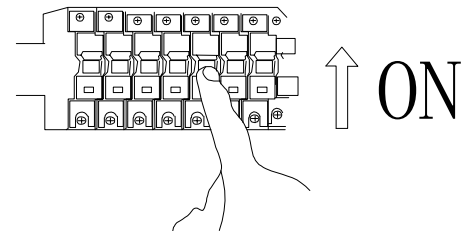
C



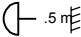
D





E



F

NOTES: 1. The symbol  0 indicates that the lamp head must be at least 0.5M' from the lighted surface

1. The symbol  indicates this luminaire is suitable for use on normally flammable surface

1. The symbol  indicates the luminaire is only suitable for use indoors