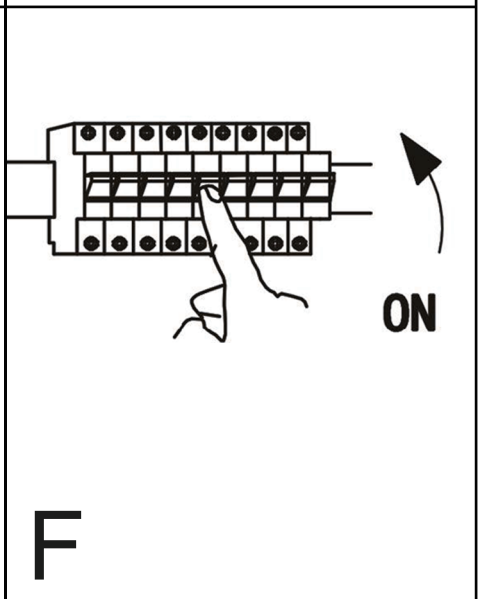
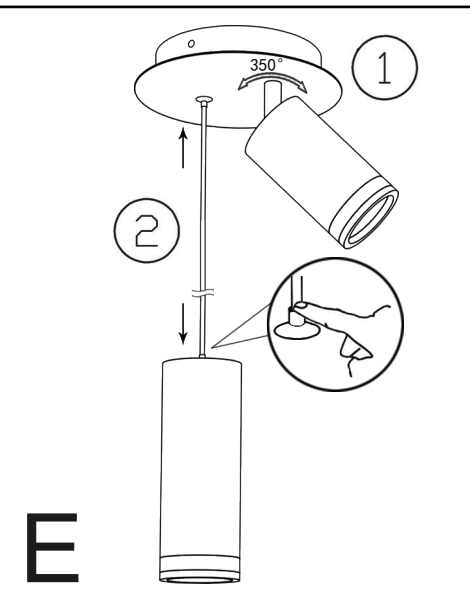
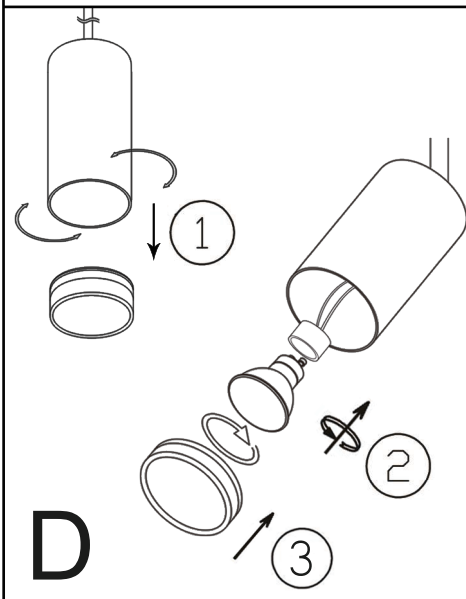
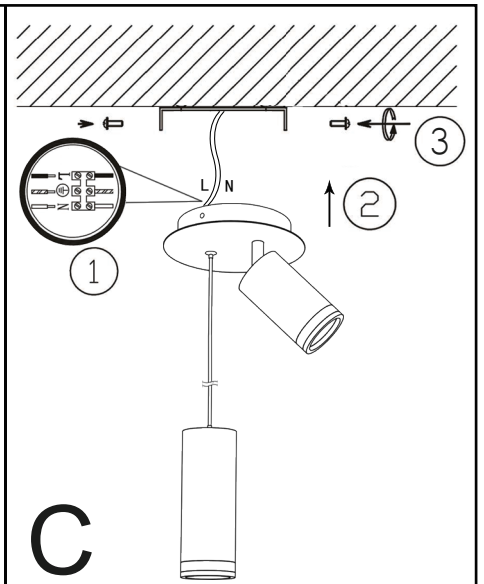
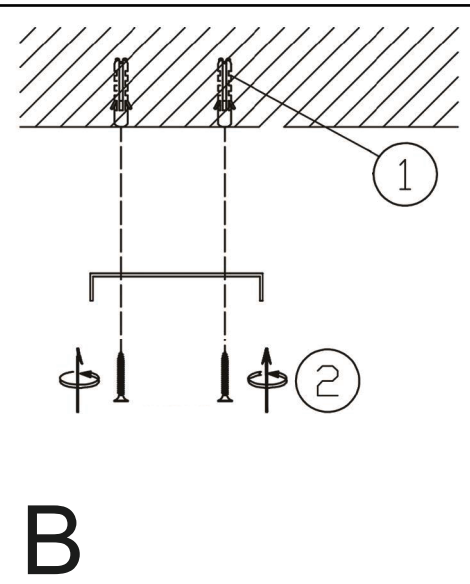
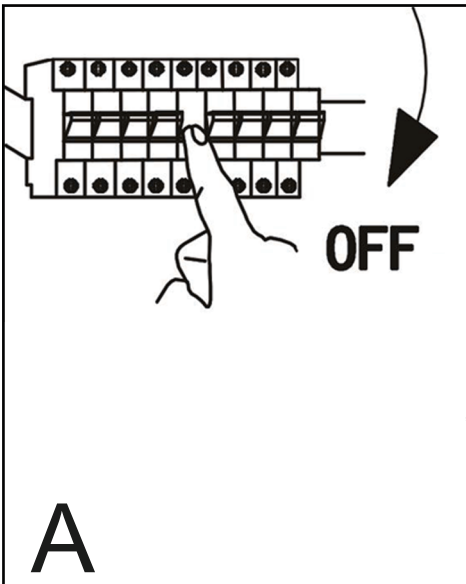
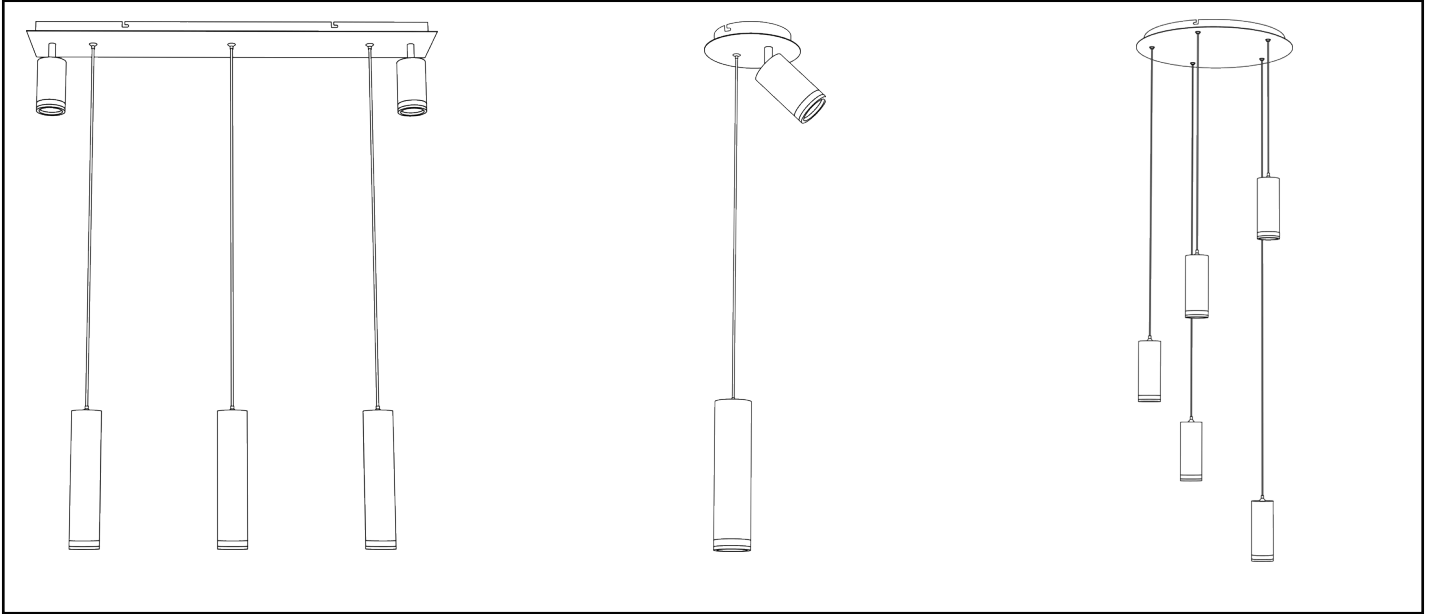


INSTRUCTIONS



NOTES: 1.The symbol $\text{---}0.5\text{m}$ indicates that the lamp head must be at least ' 0.5M' from the lighted surface

1.The symbol ∇ indicates this luminaire is suitable for use on normally flammable surface

1.The symbol house indicates the luminaire is only suitable for use indoors