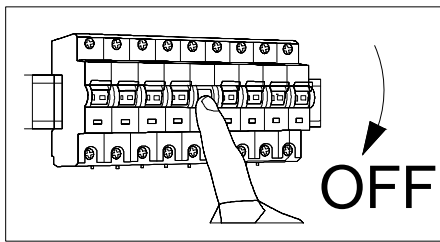
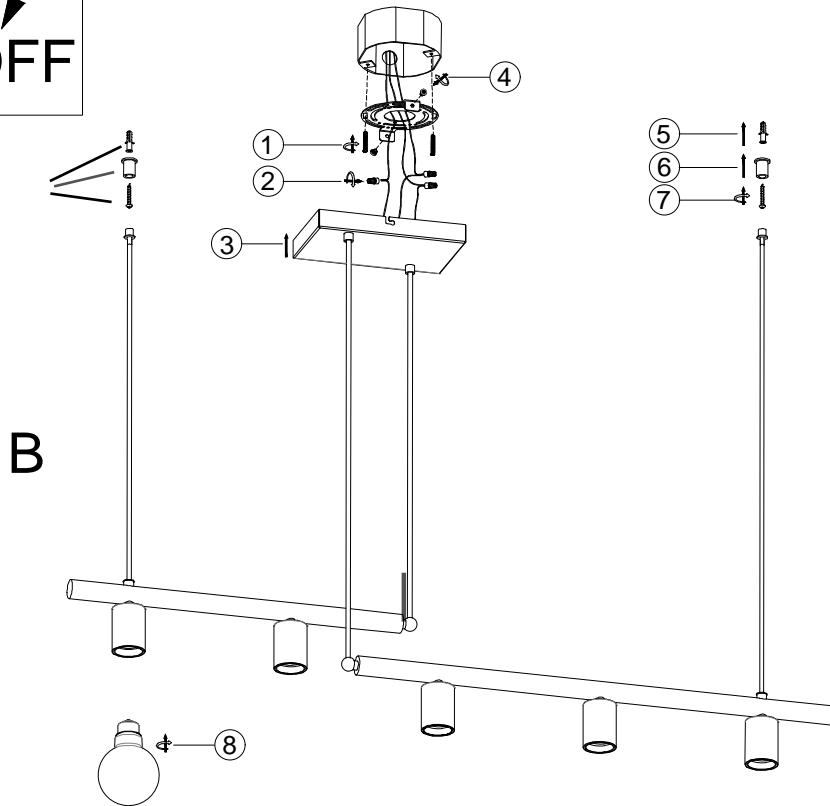


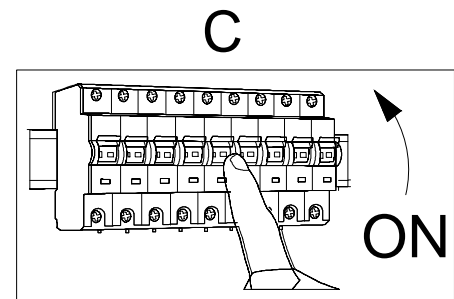
INSTRUCTIONS



A



B



C

Installation steps

A. Please cut off the power first

B. Install the luminaire

Remove the screws from the kit and install the fixture pegboard bracket on the wall box.

Take out the nuts from the kit and connect the wires

Install the fixture base on the pegboard bracket

Screw on the screws to fix

punch holes in the wall and install expansion screws

Install the auxiliary bracket

Screw on the screws to fix

Install E26 bulb (Not included)

Both sides of the auxiliary bracket installation steps are the same

Adjust the height of the lamp as needed

C. Turn on the power, light up the lamps