

Installation Guide

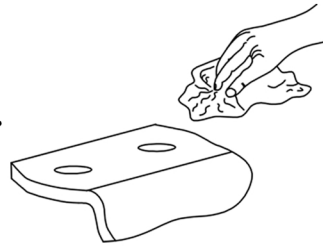
Important Information

If possible, assemble the faucet and drain to the bathroom sink before installing the sink.



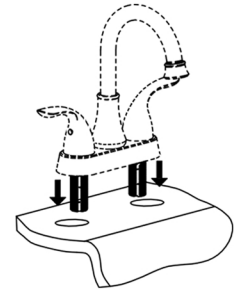
STEP1

Clean the sink surface.



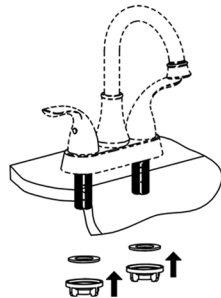
STEP2

Insert the faucet and base plate.



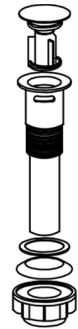
STEP3

Tighten the mounting nuts.



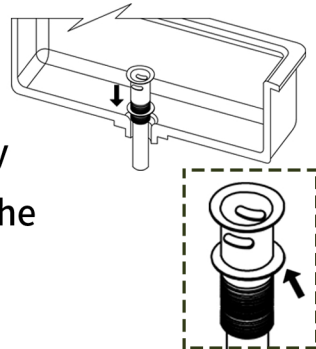
STEP4

Disassemble the drain.



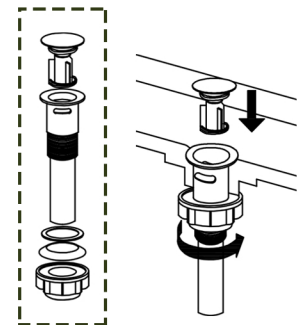
STEP5

Insert the drain body and flat gasket into the drain hole.



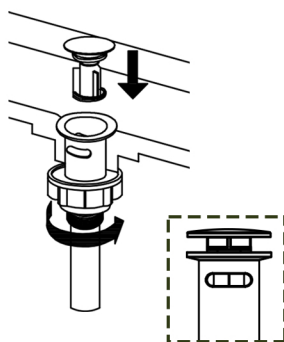
STEP6

Install the tapered gasket from below. Hantighten the nut.



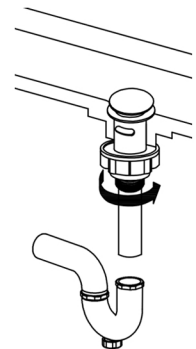
STEP7

Insert the stopper into the drain body, Press down firmly to test operation.



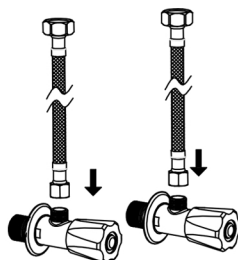
STEP8

Connect the drain body to the trap.



STEP9

Using hoses with rubber gaskets or compression fittings, connect the supply hoses.



STEP10

Using hoses with rubber gaskets or compression fittings, connect the supply hoses.

