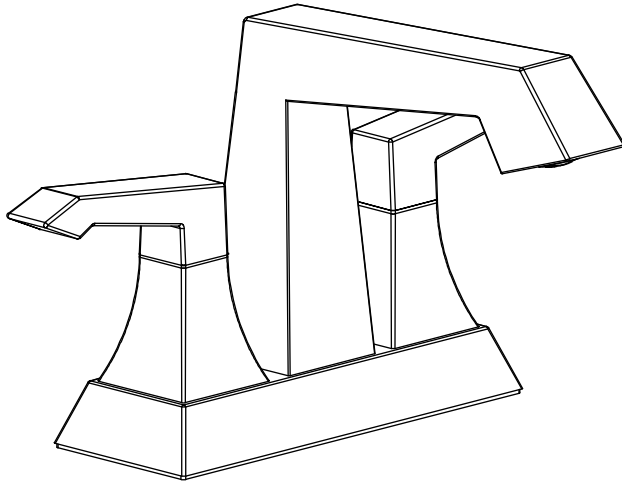


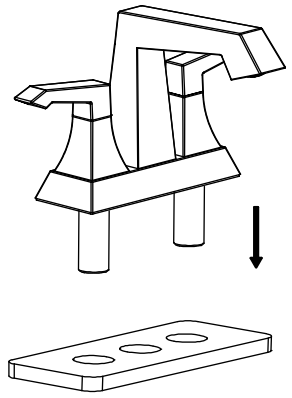
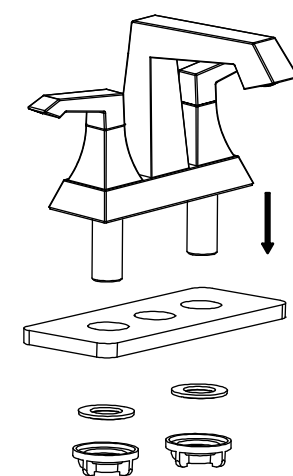
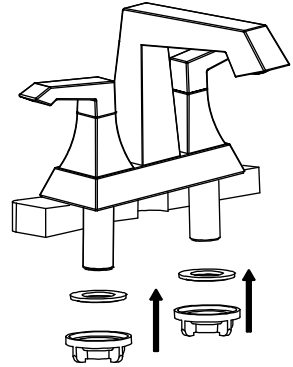
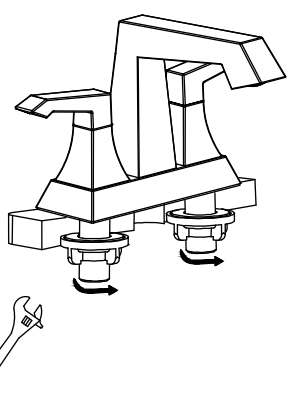
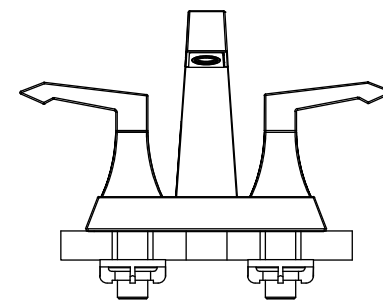
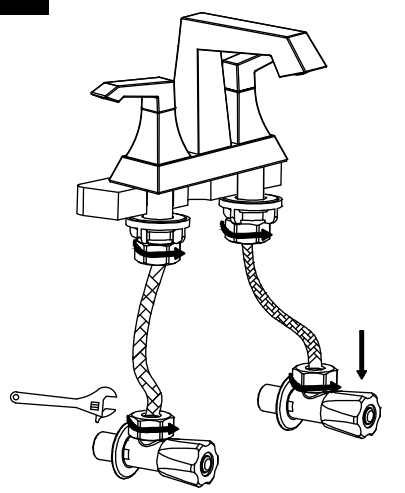
# Two Handle Centerset Lavatory Faucet

Applicable faucets (including but not limited)

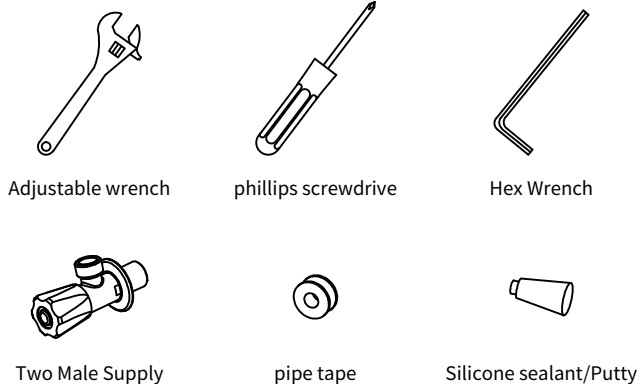
## INSTALLATION

Prior to installation: Shut off water supply. Remove old faucet.  
Clean sink/countertop surface in preparation for new faucet.

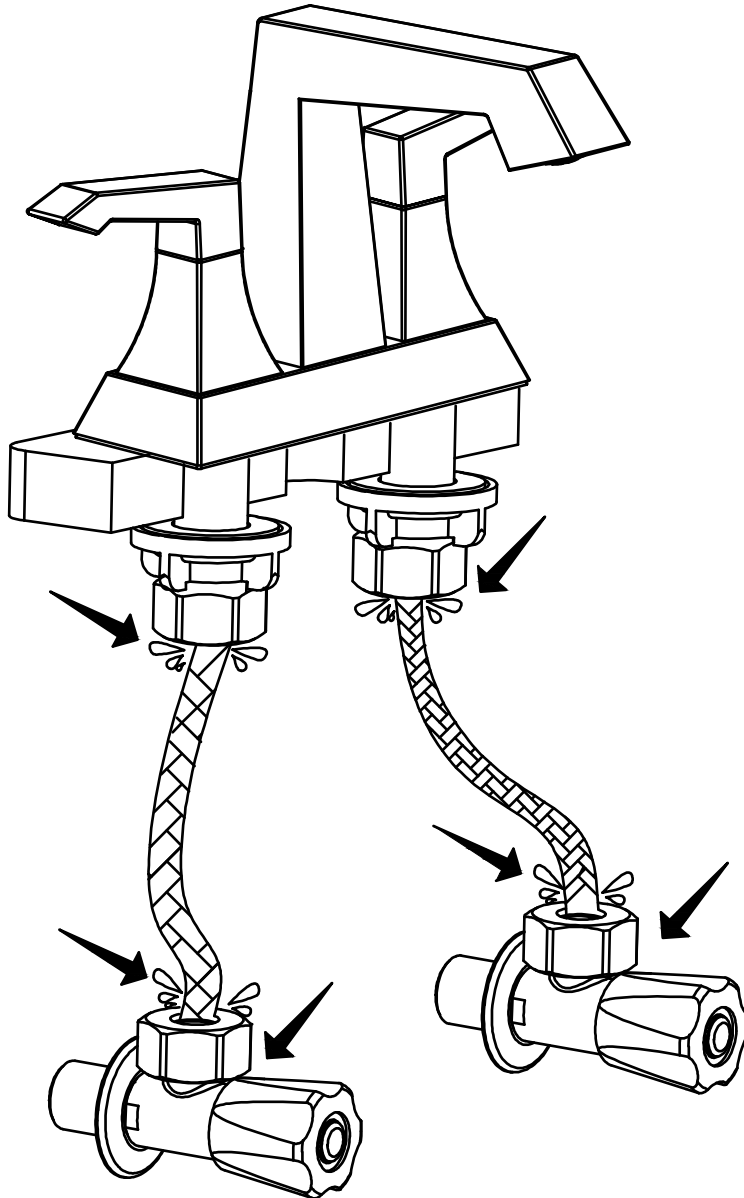


<p><b>1</b> Align and press into place.</p> 	<p><b>2</b> Insert the faucet through sink.</p> 	<p><b>3</b> Screw the nut onto shank, leaving approximately 0.12"(3mm) between the ring and the sink.</p> 
<p><b>4</b> Tighten fitting nuts with adjustable wrench. Do not over tighten!</p> 	<p><b>5</b> Adjust slightly the position of faucet.</p> 	<p><b>6</b> Connect and tighten the supply hoses.</p> 

## TOOLS YOU WILL NEED



**7** Check for leaks.



**8** Care and Cleaning

For best results, keep the following in mind when caring for your product:

- Use a mild detergent such as liquid dishwashing soap and warm water for cleaning. Do not use abrasive cleaners that may scratch or dull the surface.
- Carefully read the cleaner product label to ensure the cleaner is safe for use on the material.
- Always test your cleaning solution on an inconspicuous area before applying to the entire surface.
- Do not allow cleaners to sit or soak on the surface.
- Wipe surfaces clean and rinse completely with water immediately after cleaner application. Rinse and dry any overspray that lands on nearby surfaces.