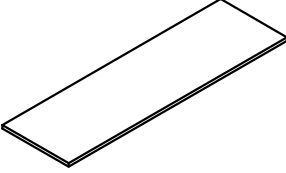
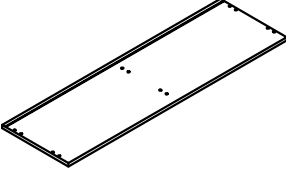
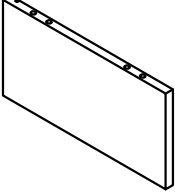
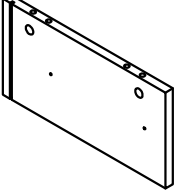
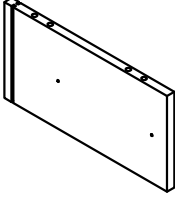
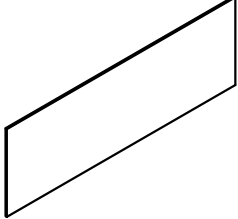
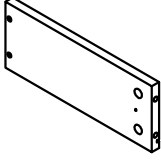
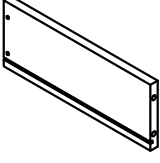
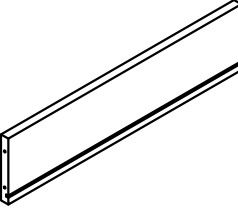
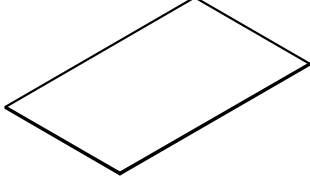

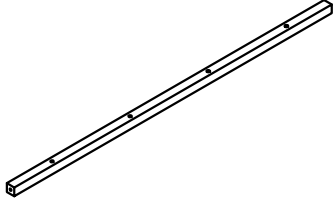
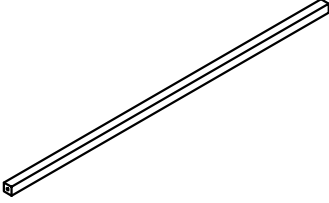
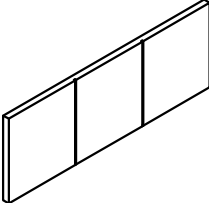
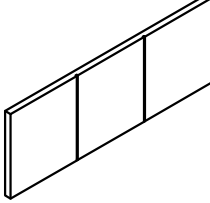
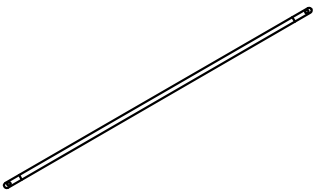


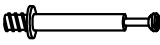



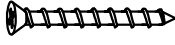


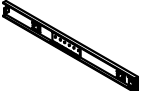


# ASSEMBLY INSTRUCTION SOFA TABLE









1. Extra Screws of A/B/C/D/E/F/J/K/L/M/N are provided in case of any screws missing in the boxes.
2. Please take the time to identify and count all parts as well as the hardware to this product.

## PART LIST

|   |   |  |   |
|---|---|--|---|
|    |    |    |    |
| <b>① x1PC</b>   | <b>② x1PC</b>   | <b>③ x1PC</b>  | <b>④ x1PC</b>   |
|    |    |    |    |
| <b>⑤ x1PC</b>   | <b>⑥ x2PCS</b>  | <b>⑦ x2PCS</b>   | <b>⑧ x2PCS</b>  |
|  |  |  |  |
| <b>⑨ x2PCS</b>  | <b>⑩ x2PCS</b>  | <b>⑪ x2PCS</b>   | <b>⑫ x1PC</b>   |
|   |  |  |  |
| <b>⑬ x2PCS</b>  | <b>⑭ x1PC</b>   | <b>⑮ x1PC</b>  | <b>⑯ x2PCS</b>  |

## HARDWARE

|  |   |  |   |  |
|--|---|--|---|--|
| <br>M6x35mm | <br>Ø15x12mm | <br>Ø8x30mm | <br>3.5x14mm | <br>4x35mm  |
| <b>A x 14PCS</b>   | <b>B x 14PCS</b>  | <b>C x 12PCS</b>   | <b>D x 24PCS</b>  | <b>E x 8PCS</b>  |
| <br>M7x38mm | <br>M4mm     | <br>300mm   | <br>300mm    | <br>M6x35mm |
| <b>F x 6PCS</b>  | <b>G x 1PC</b>  | <b>H x 4PCS</b>  | <b>I x 4PCS</b>   | <b>J x 8PCS</b>  |

|  |   |  |  |   |
|--|---|--|--|---|
| <br>M6x45mm |  | <br>20x30x5mm | <br>M6x12mm | <br>4x14mm |
| <b>K x 6PCS</b>  | <b>L x 8PCS</b>   | <b>M x 4PCS</b>  | <b>N x 4PCS</b>  | <b>O x 2PCS</b>   |
| <br>4x35mm  |  |               |  |   |
| <b>P x 2PCS</b>  | <b>Q x 2PCS</b>   | <b>R x 2PCS</b>  |  |   |

**NOTED:**

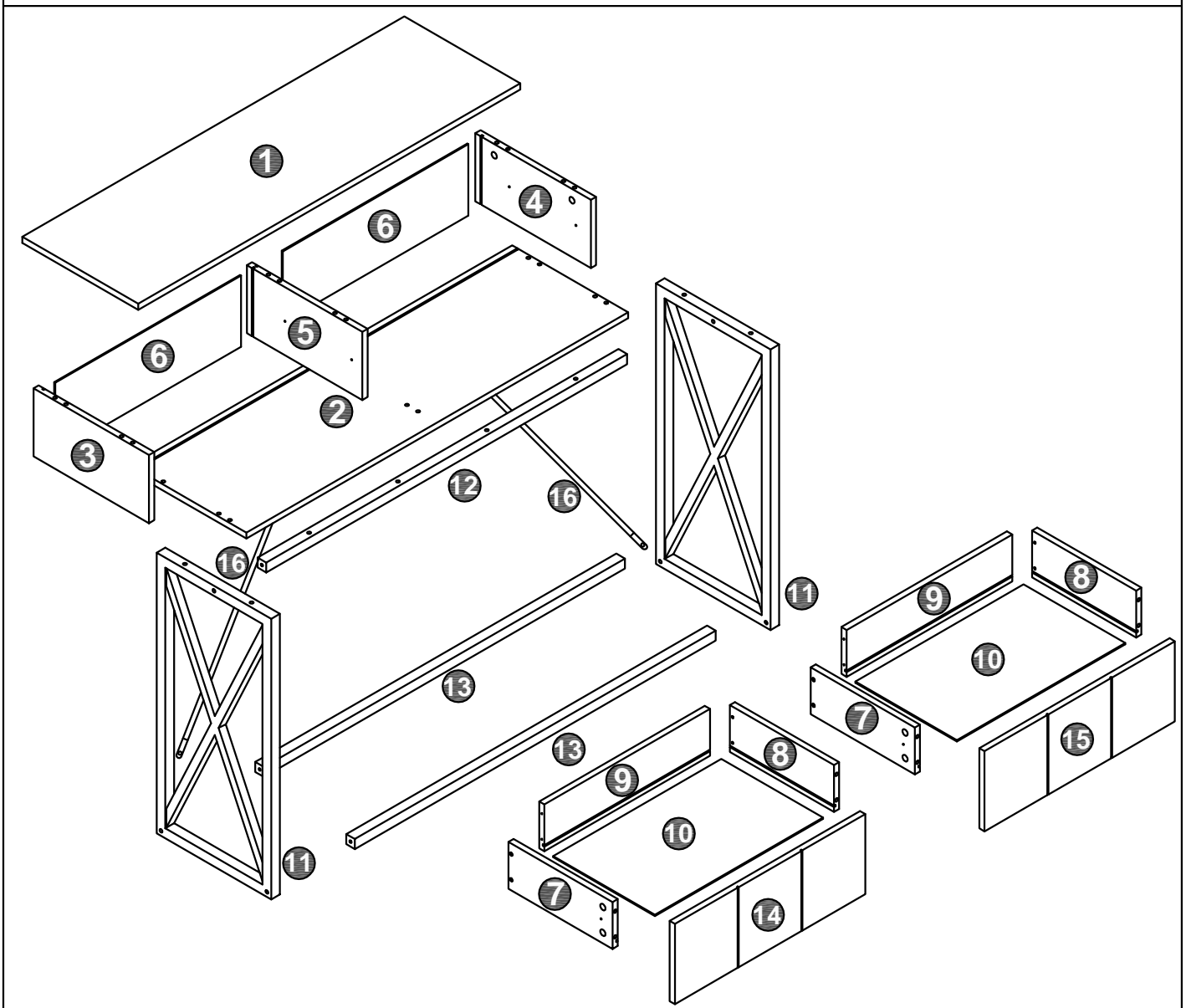
1. It is recommended that this item should be assembled by two adults.
2. Assemble this item on a soft surface, such as cardboard or carpet, to protect finish.

**For product assistance and warranty information, please contact the seller before return this product:**

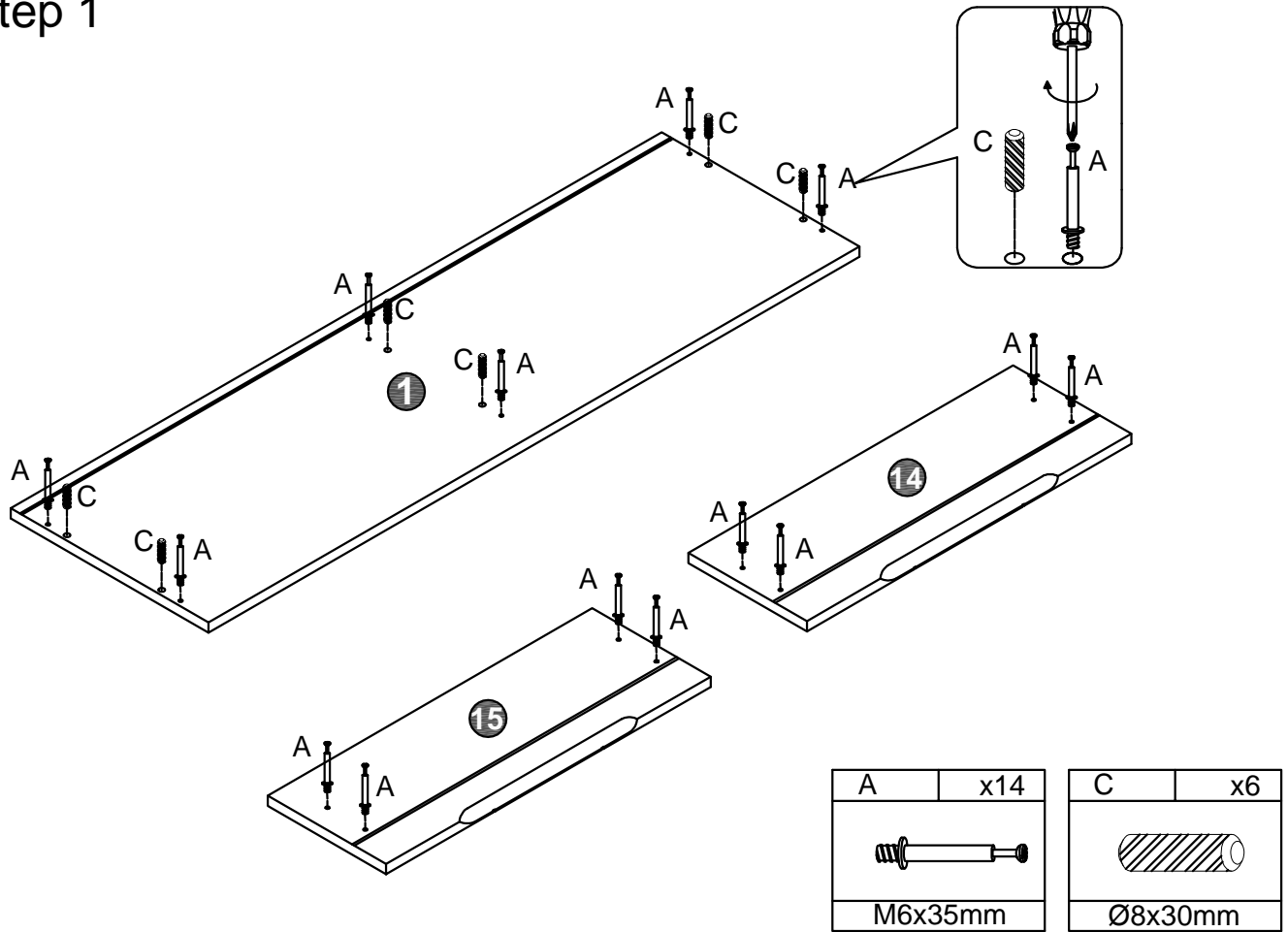
Please provide us with following information, so that it will be easier to resolve your problem smoothly.

1. Order ID:
2. Pictures of Your Item Damage or Parts Missing:

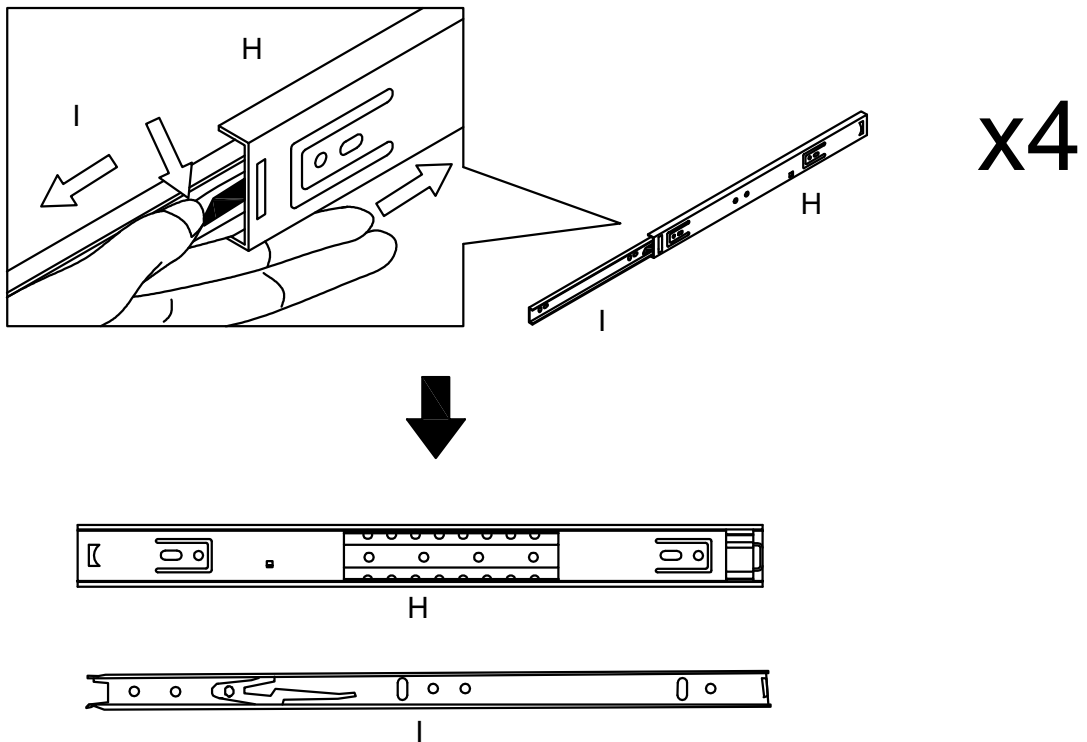
**THANK YOU FOR PURCHASING OUR FURNITURE, IT IS AN HONOR TO BE IN YOUR HOME!**



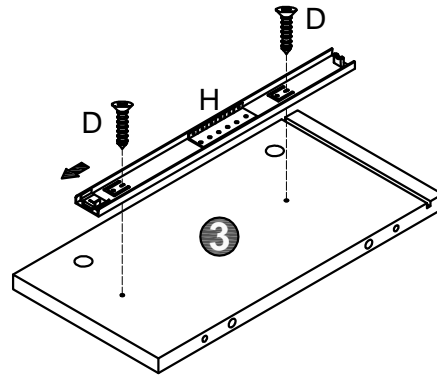
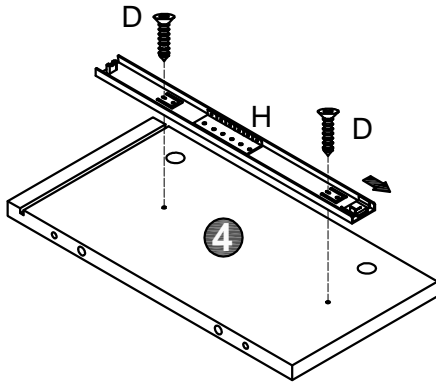
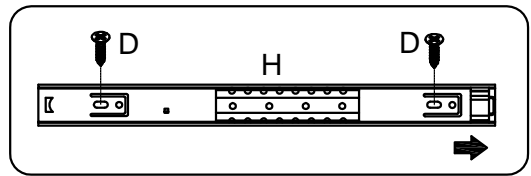
# Step 1

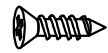


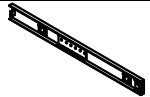
# Step 2



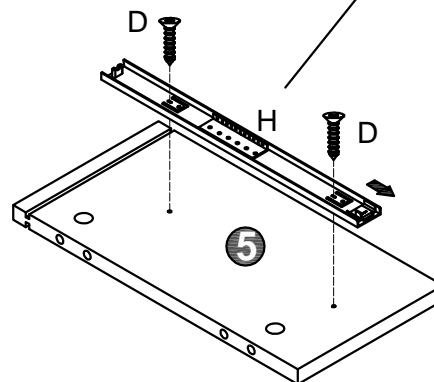
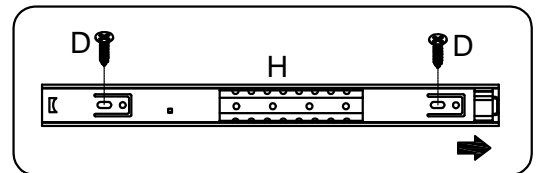
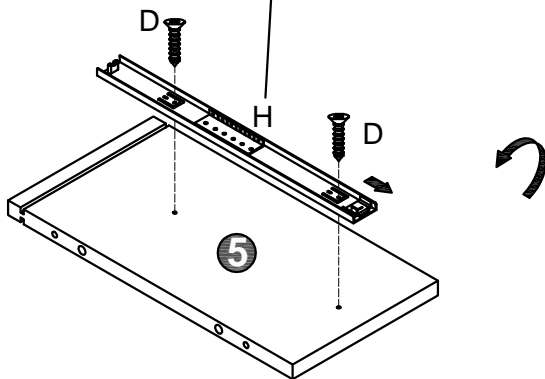
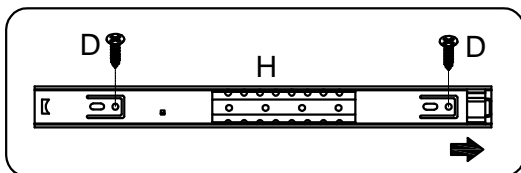
### Step 3




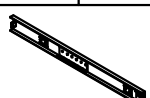
|  |    |
|--|----|
| D  | x4 |
|  |    |
| 3.5x14mm   |    |

|  |    |
|--|----|
| H  | x2 |
|  |    |
| 300mm  |    |

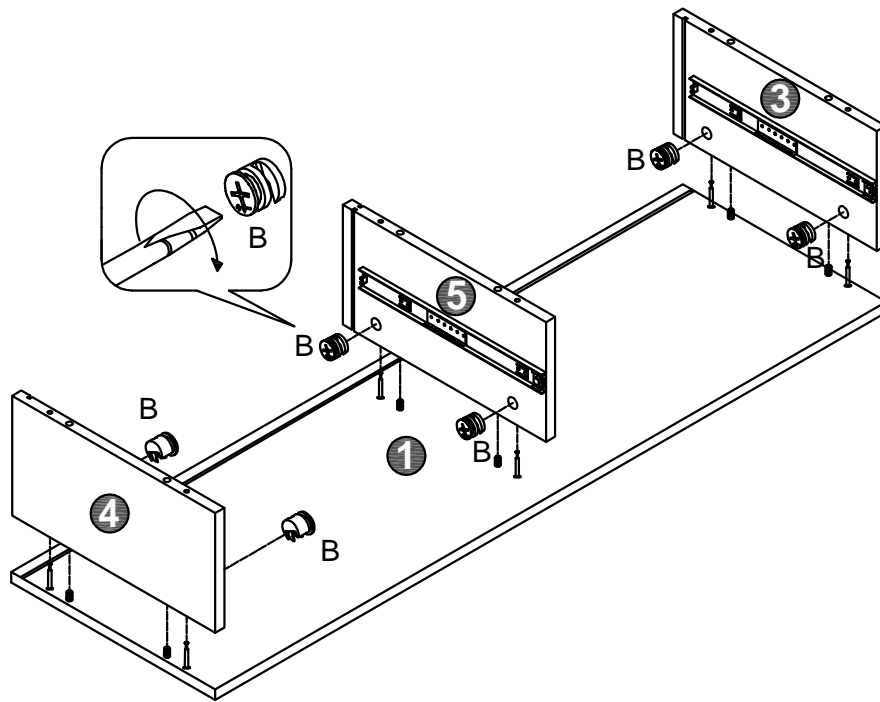
### Step 4



|   |    |
|---|----|
| D   | x4 |
|  |    |
| 3.5x14mm  |    |

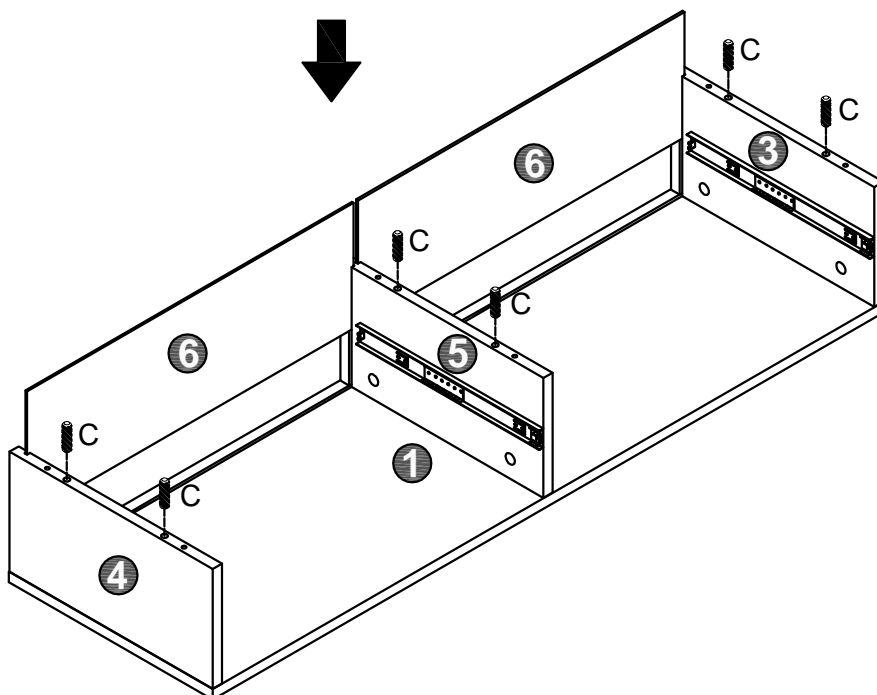
|   |    |
|---|----|
| H   | x2 |
|  |    |
| 300mm   |    |

# Step 5



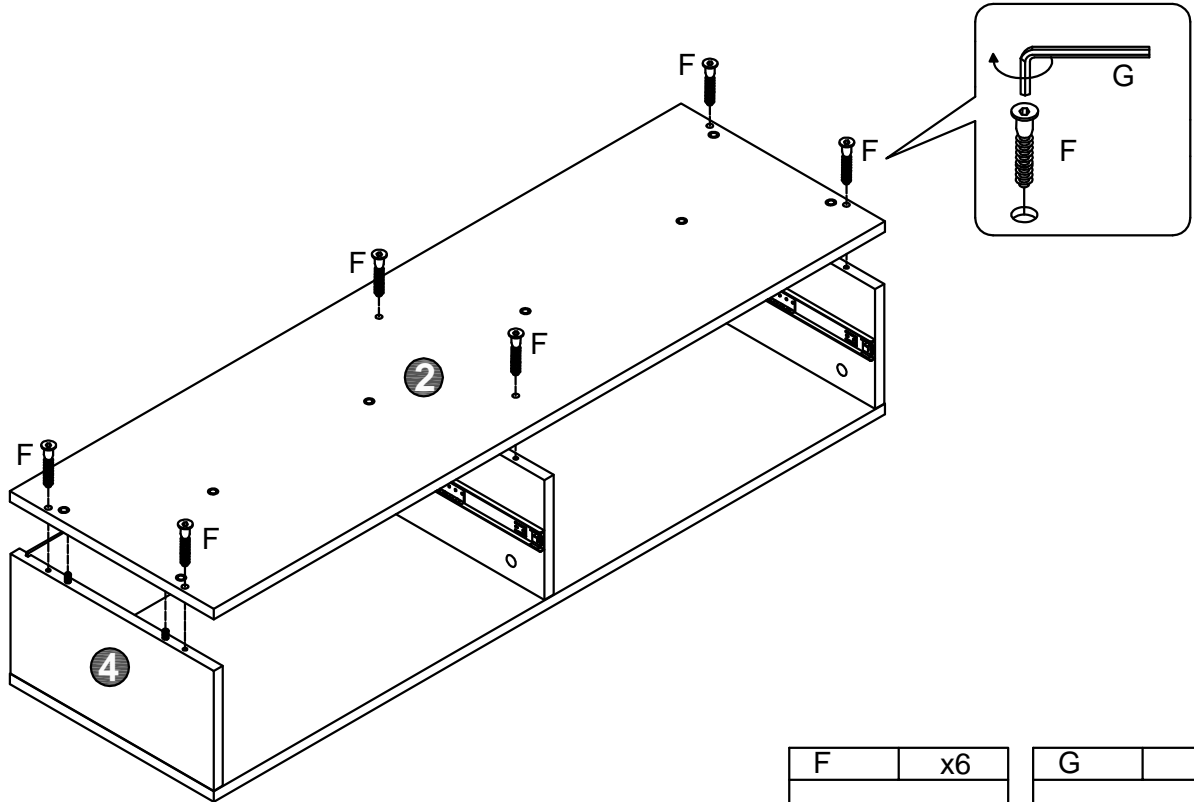
|          |    |
|----------|----|
| B        | x6 |
|          |    |
| Ø15x12mm |    |


# Step 6




|         |    |
|---------|----|
| C       | x6 |
|         |    |
| Ø8x30mm |    |

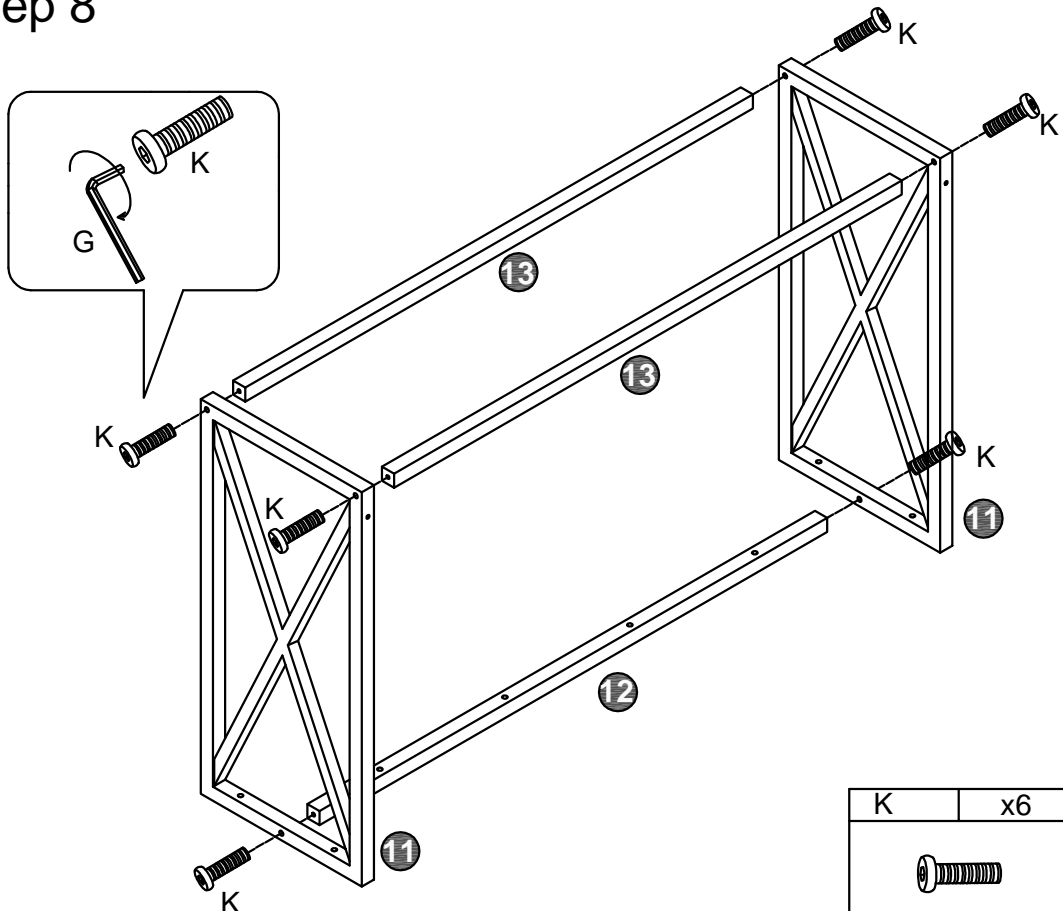
# Step 7





|  |    |
|--|----|
| F  | x6 |
|  |    |
| M7x38mm  |    |

|  |    |
|--|----|
| G  | x1 |
|  |    |
| M4mm   |    |

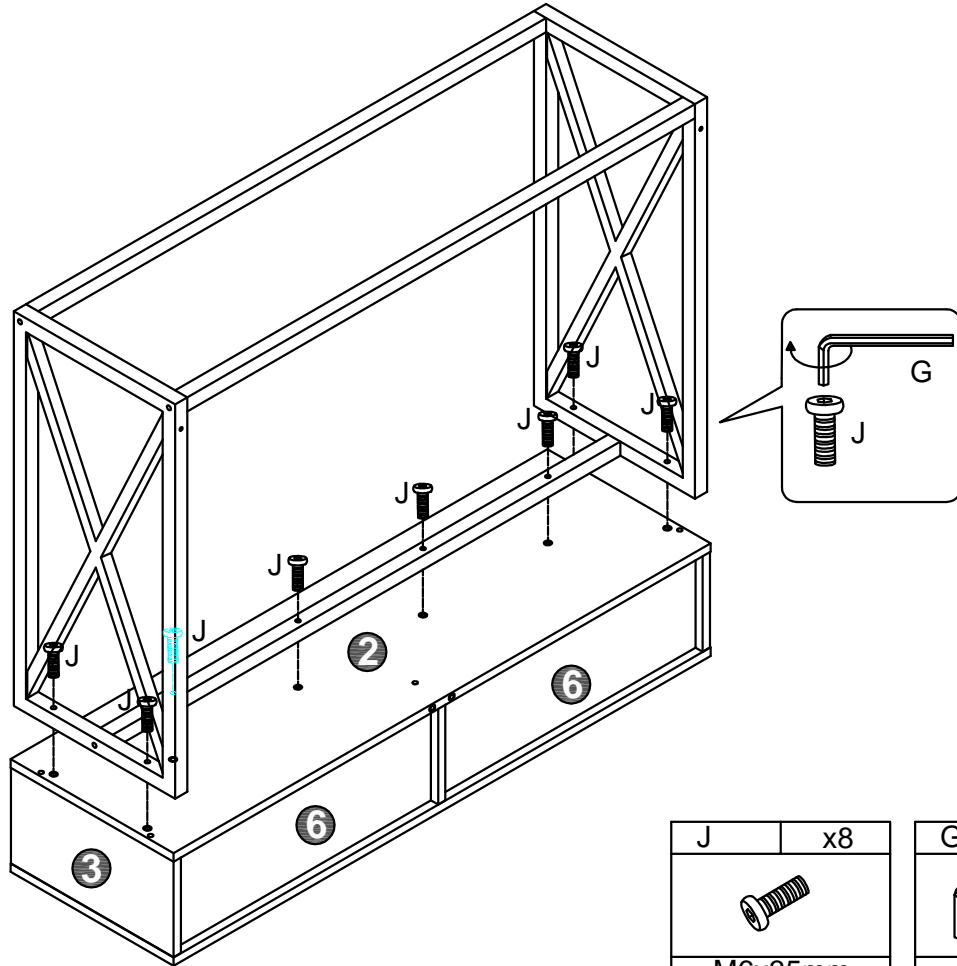
# Step 8





|   |    |
|---|----|
| K   | x6 |
|  |    |
| M6x45mm   |    |

|   |    |
|---|----|
| G   | x1 |
|  |    |
| M4mm  |    |

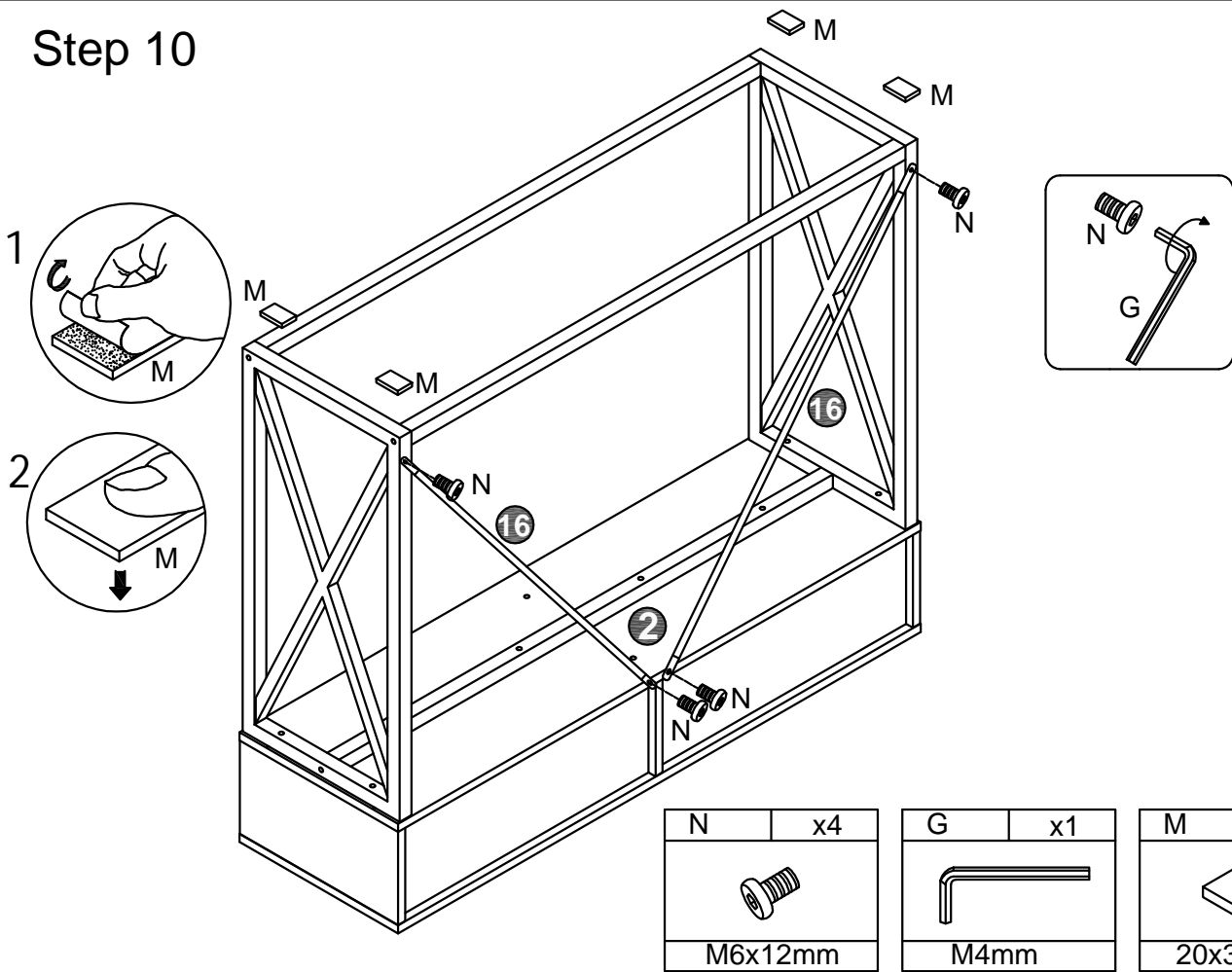
# Step 9





|  |    |
|--|----|
| J  | x8 |
|  |    |
| M6x35mm  |    |


|  |    |
|--|----|
| G  | x1 |
|  |    |
| M4mm   |    |

# Step 10

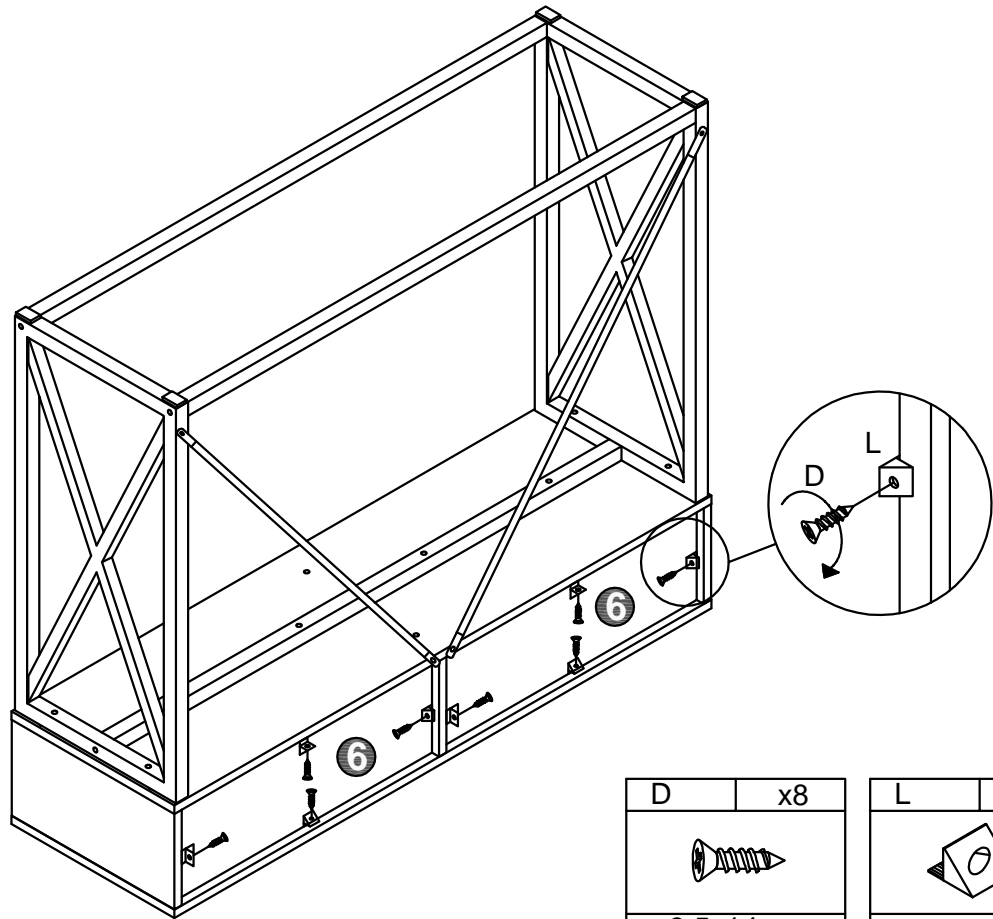



|   |    |
|---|----|
| N   | x4 |
|  |    |
| M6x12mm   |    |


|   |    |
|---|----|
| G   | x1 |
|  |    |
| M4mm  |    |

|   |    |
|---|----|
| M   | x4 |
|  |    |
| 20x30x5mm   |    |

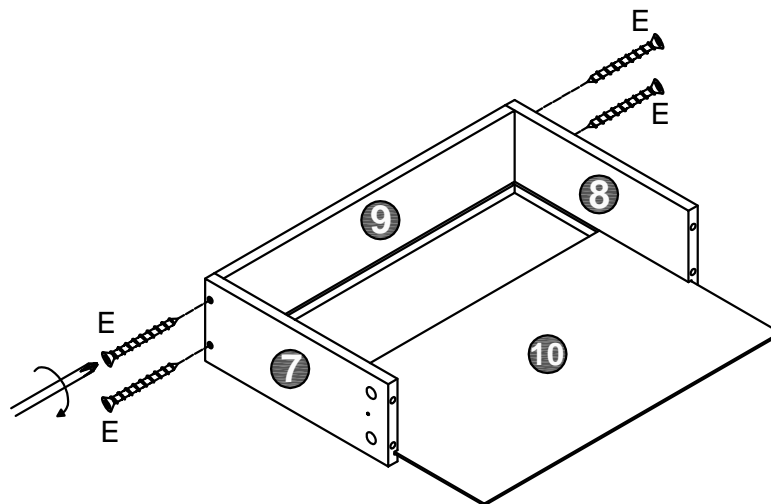
# Step 11



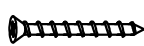
|  |    |
|--|----|
| D  | x8 |
|  |    |
| 3.5x14mm   |    |

|  |    |
|--|----|
| L  | x8 |
|  |    |

# Step 12

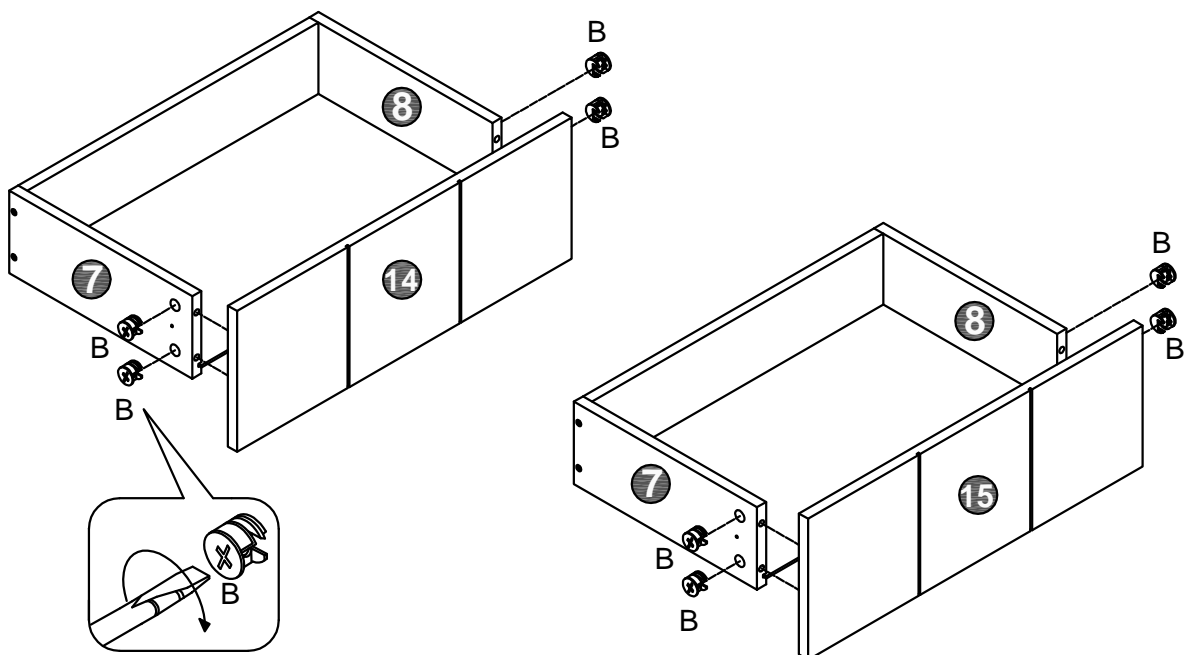



x2

|   |    |
|---|----|
| E   | x8 |
|  |    |
| 4x35mm  |    |

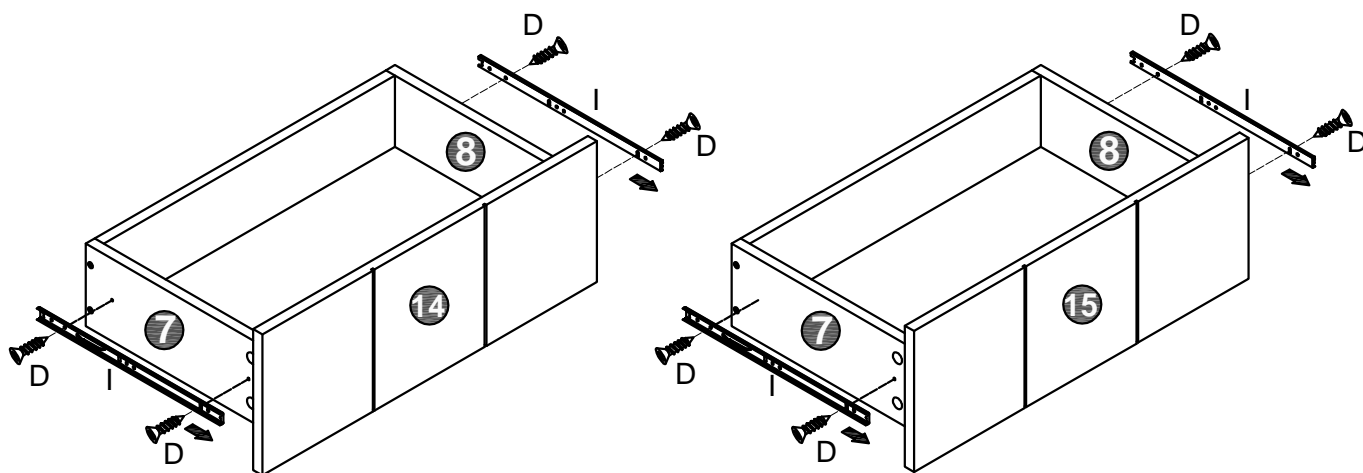
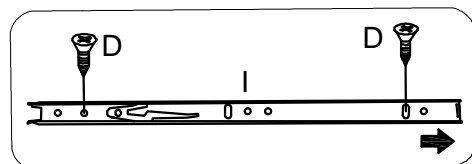



# Step 13

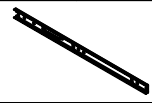


|  |    |
|--|----|
| B  | x8 |
|  |    |
| Ø15x12mm   |    |

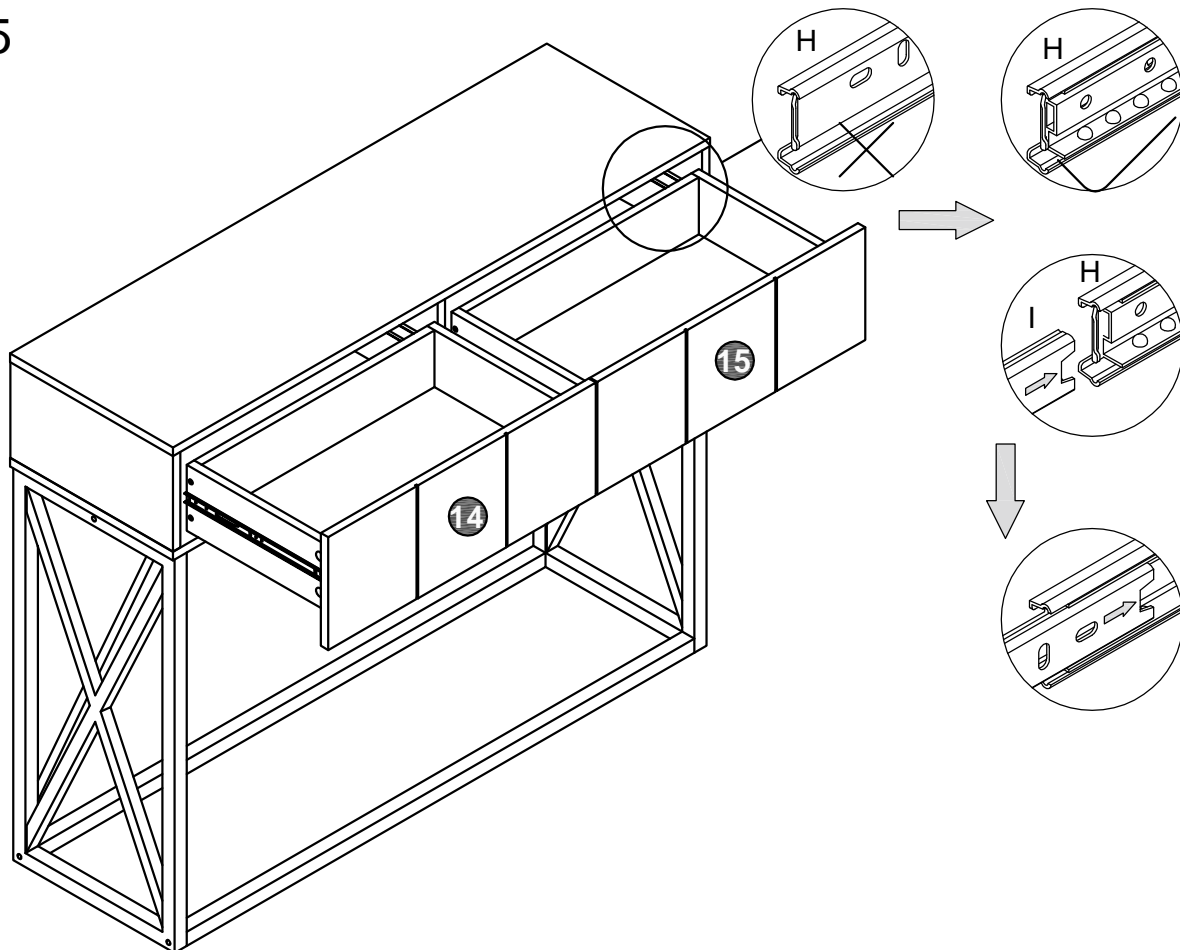
# Step 14



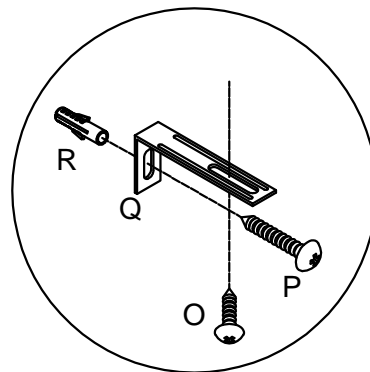
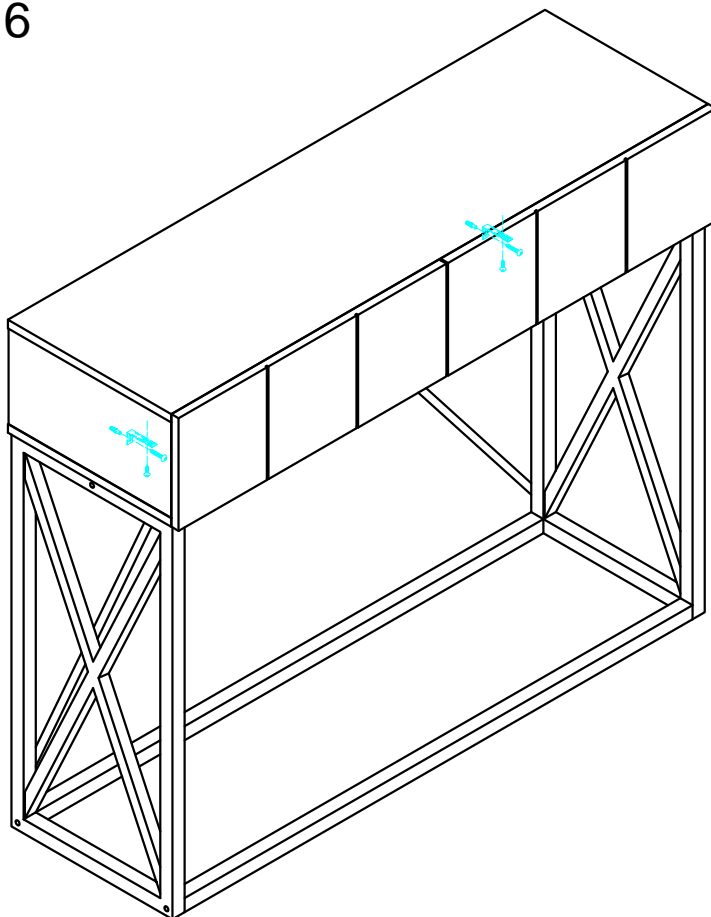
|   |    |
|---|----|
| D   | x8 |
|  |    |
| 3.5x14mm  |    |





|   |    |
|---|----|
| I   | x4 |
|  |    |
| 300mm   |    |

# Step 15



# Step 16



|   |    |   |    |
|---|----|---|----|
| O   | x2 | P   | x2 |
|  |    |  |    |
| 4x14mm  |    | 4x35mm  |    |
| Q   | x2 | R   | x2 |
|  |    |  |    |

Step 17

