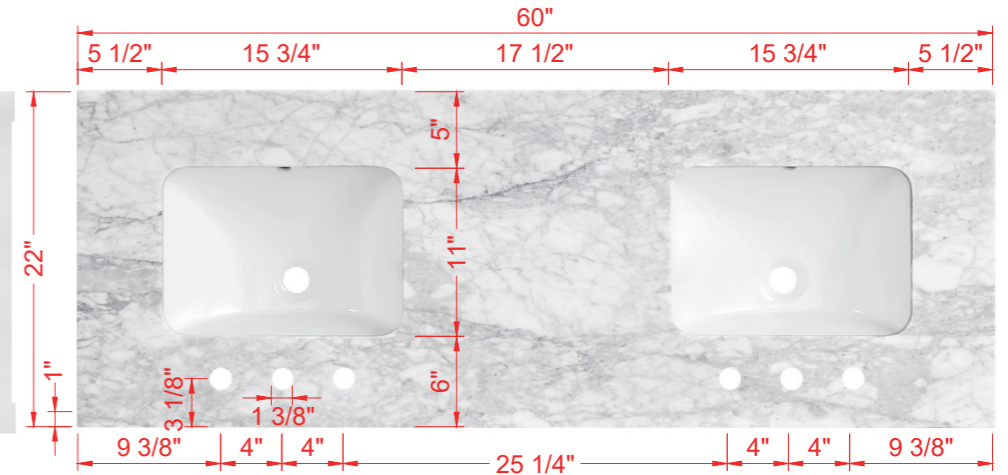
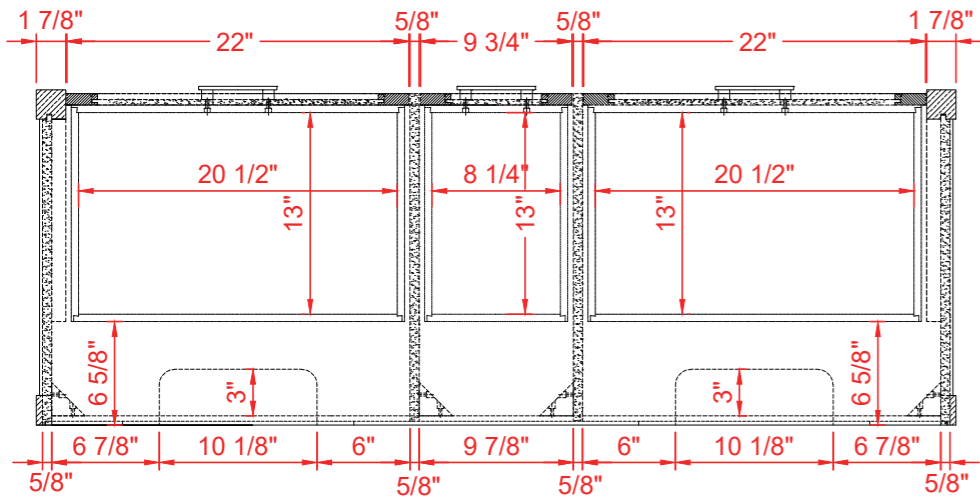
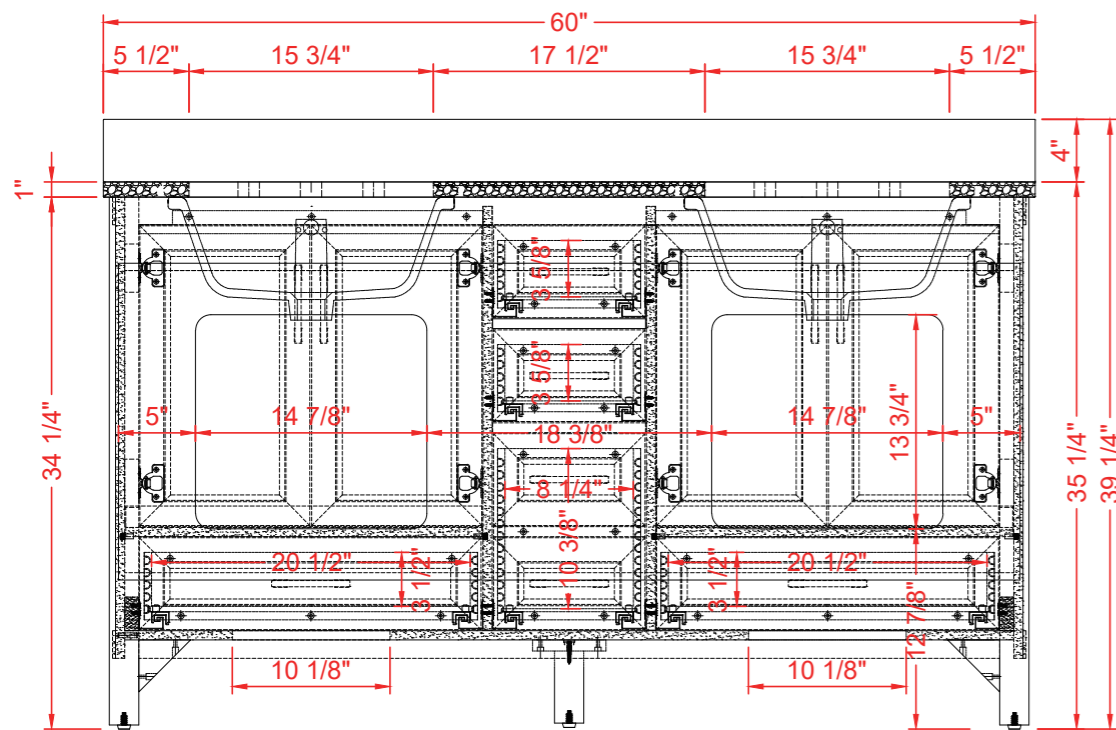
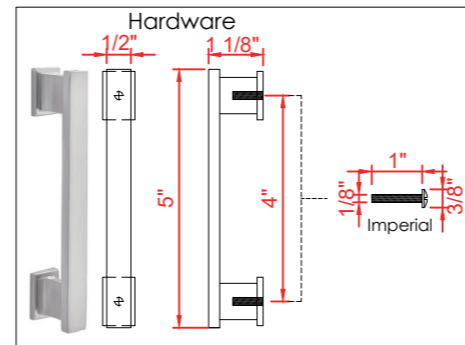


# INSTALLERS DIAGRAM

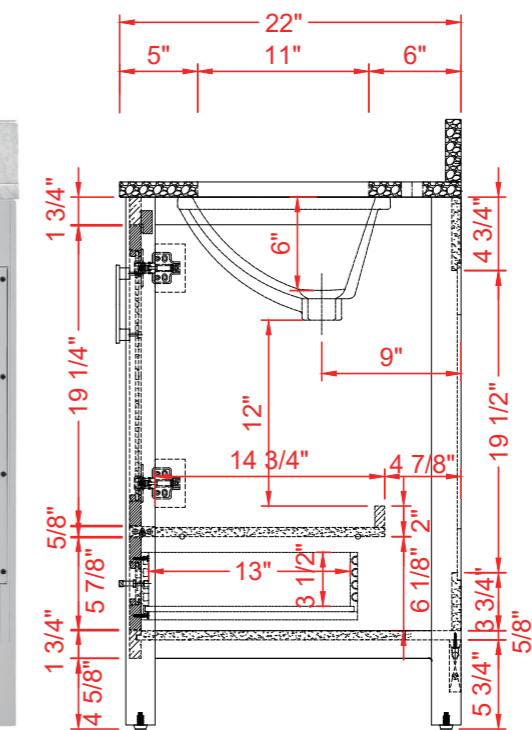


**TOP VIEW**

**Cabinet Weight : 192bs.**  
**Top weight w/BS :113bs.**  
**Product Net weight :305lbs.**  
**Product packed Gross weight :397lbs.**  
**Packed product Dimensions:**  
**63.25 in. W x 25.25 in. D x 44.5 in. H**



**FRONT VIEW**



**SIDE VIEW**

