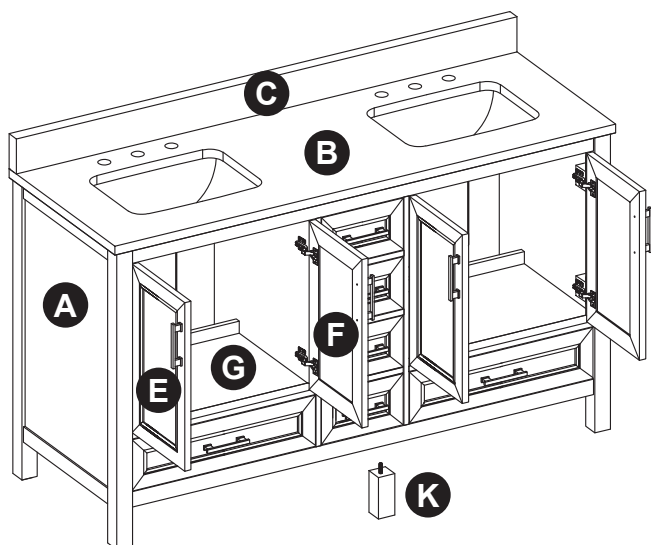


## TABLE OF CONTENTS

---

Package Contents.....	3
Hardware Contents.....	3
Safety Instructions.....	3
Preparation.....	4
Assembly or Installation Instructions.....	4
Care and Maintenance.....	9
Warranty.....	9
Replacement Parts List.....	10

## PACKAGE CONTENTS



PART	DESCRIPTION	QUANTITY
A	Vanity	1
B	Top (preassembled to vanity (A))	1
C	Backsplash	1
E	Left Door (preassembled to vanity (A))	2
F	Right Door (preassembled to vanity (A))	2
G	Shelf	2
K	Center Support Leg	1

## HARDWARE CONTENTS (NOT SHOWN ACTUAL SIZE)

AA



Touch Up Pen  
Qty. 1

## ⚠ SAFETY INSTRUCTIONS

Please read and understand this entire manual before attempting to assemble, operate or install the product.

### ⚠ WARNING

- There are several assembly steps, including unpacking, that require two adults.

### CAUTION

- **DO NOT** try to pry off top from vanity, as damage to top or vanity may occur.
- Follow these instructions closely, take your time, and use care while assembling this vanity.

**KEEP THESE INSTRUCTIONS FOR FUTURE REFERENCE.**

## PREPARATION

---

Before beginning assembly of product, make sure all parts are present. Compare parts with package contents list and hardware contents list. If any part is missing or damaged, do not attempt to assemble the product.

**Estimated Installation Time:** 30 minutes (24 hours for silicone caulk to dry).

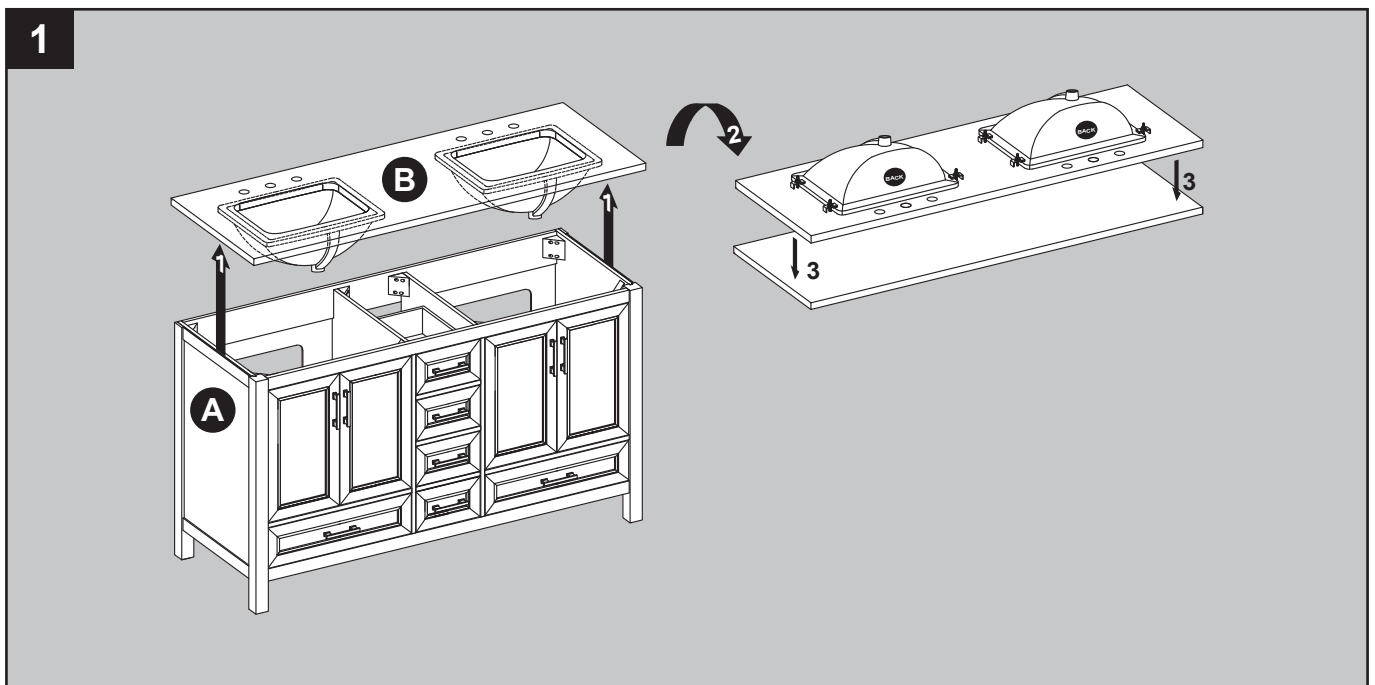
Tools Required for Installation (not included): Phillips screwdriver, utility knife or scissors, silicone caulk, power drill with drill bit.

Helpful Tools (not included): Measuring tape, level.

## INSTALLATION INSTRUCTIONS

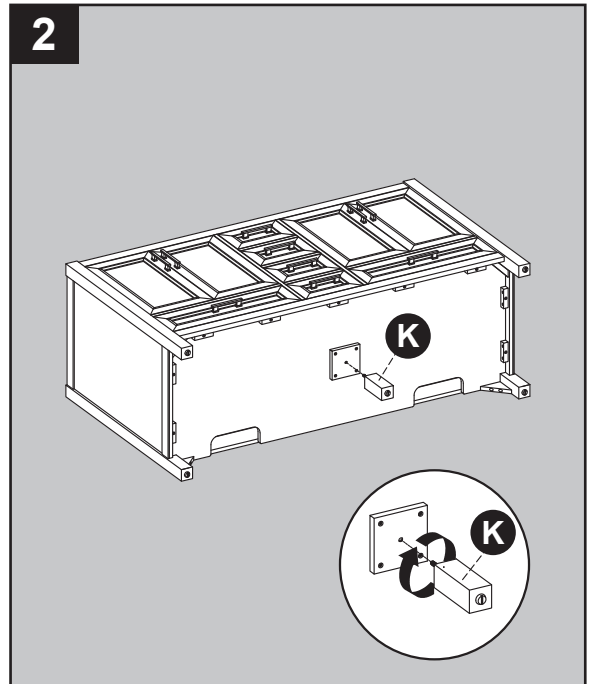
---

1. Please remove the top (B) from the vanity (A). Place the top (B) and backsplash (C) face down onto a scratch-free surface such as a foam sheet that came in the packaging.



## INSTALLATION INSTRUCTIONS

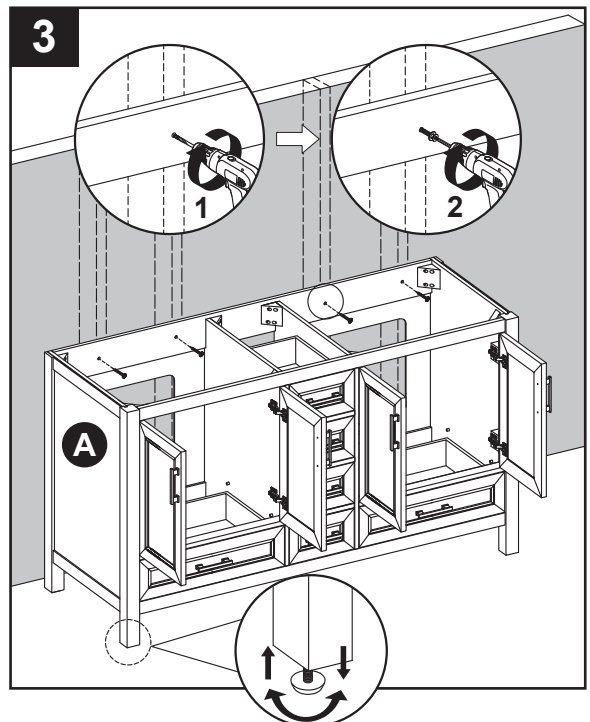
2. With 2 people, place the vanity on its back on a flat, scratch free surface. Locate the center support leg (K) and screw into the base of the vanity. Once complete, lift the vanity back up into the upright position.



**Note:** Clean area where the vanity (A) will be permanently located prior to beginning installation, ensuring the vanity (A) will not interfere with any water supply and drain lines once mounted.

3. With two people, carefully place vanity (A) against the wall in its final location. While holding the vanity base firmly against the wall, use the pre-assembled levelers on the bottom of each leg of the vanity (A) to level the item. Twisting the levelers counterclockwise will raise the height of the vanity (A) and twisting them clockwise will lower the vanity.

Once the vanity is in place, against the wall, and level from front to back and side to side, drill a hole through the vanity mounting area and into the wall studs (as illustrated in diagram 3). Using appropriate mounting hardware (not included), secure the vanity (A) to a wall stud. If possible, secure the vanity (A) to two wall studs for increased stability.



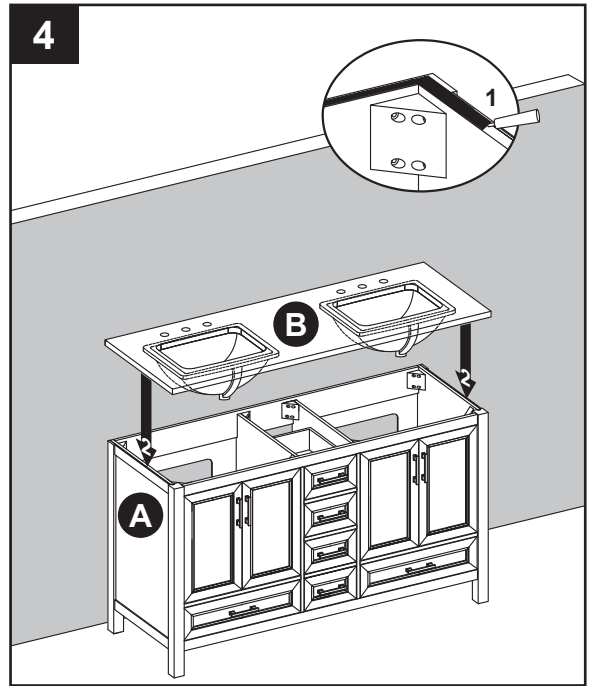
### **WARNING**

Vanity (A) **MUST** be secured to wall.

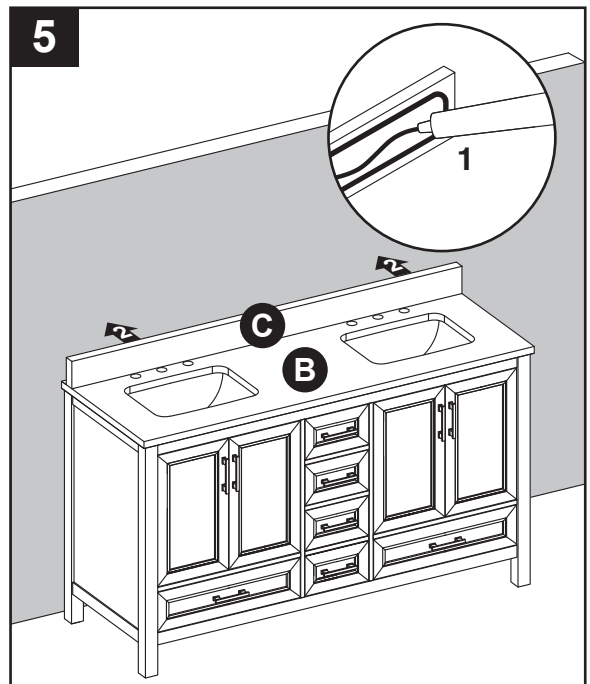
## INSTALLATION INSTRUCTIONS

**Note:** At this stage it may be easier to install the faucet and drain kit (not included) to top (B) per the manufacturer's instructions, before moving on to Step 4.

4. Apply stain free silicone caulk (not included) to the top edge of vanity (A). With the help of another adult, gently lower top (B) onto the vanity (A). Wipe away any excess caulk with a soft cloth, and wait approximately 24 hours for it to dry.

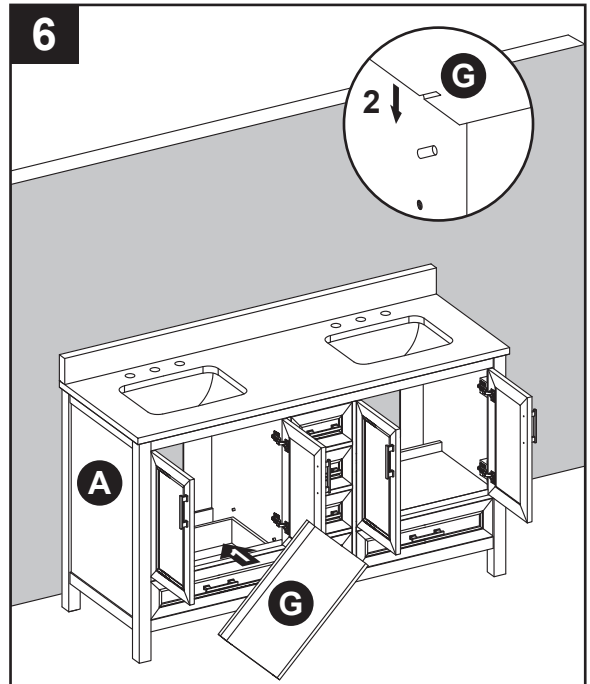


5. Apply silicone caulk (not included) to unpolished side and bottom of backsplash (C). Position backsplash (C) on top (B) and against wall. Clean any excess caulk before allowing to dry.



## INSTALLATION INSTRUCTIONS

6. Place shelves (G) on top of shelf pins.

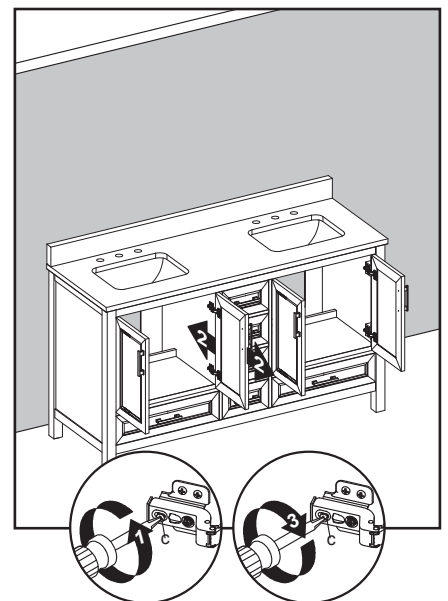
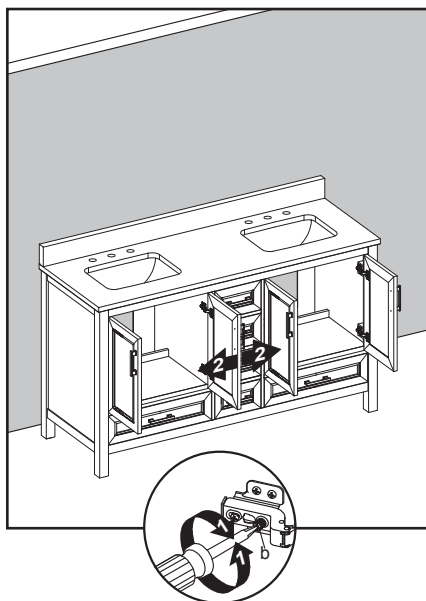
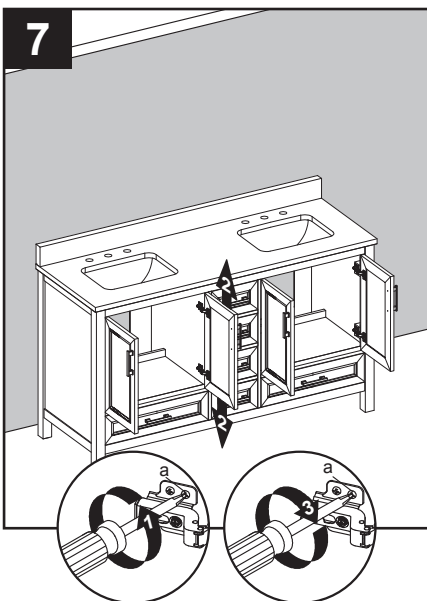


7. If you need to adjust the doors, do so in the following manner.

To adjust door up or down, loosen screws (a) on both hinges, adjust door, and retighten screws.

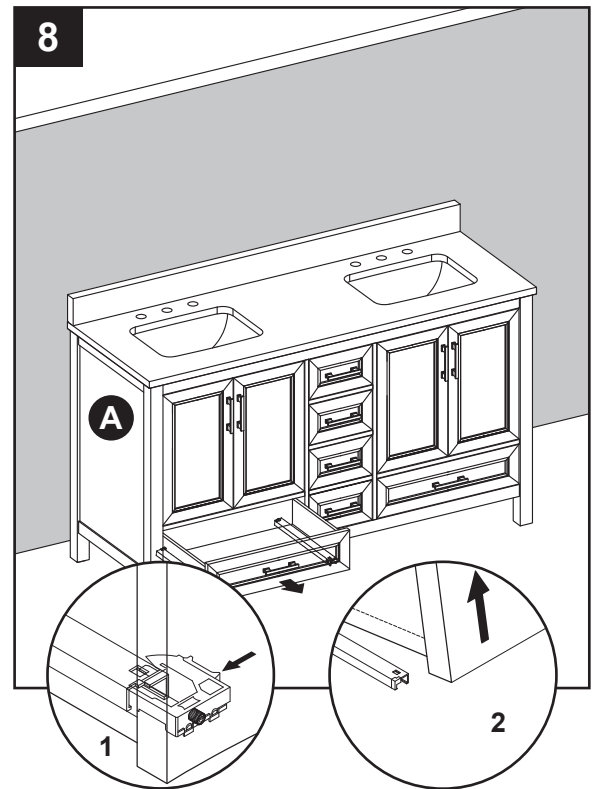
To adjust door left or right, turn screws (b) on both hinges, in and out.

To adjust door in or out, loosen screws (c) on both hinges, adjust door, and retighten screws.



## INSTALLATION INSTRUCTIONS

8. As shown in the diagram, fully extend the drawer and locate the plastic levers on the metal glide tracks. Push the left-side and right-side levers at the same time to disengage the drawer from the drawer glides. Gently lift the drawer up to remove it from vanity (A).

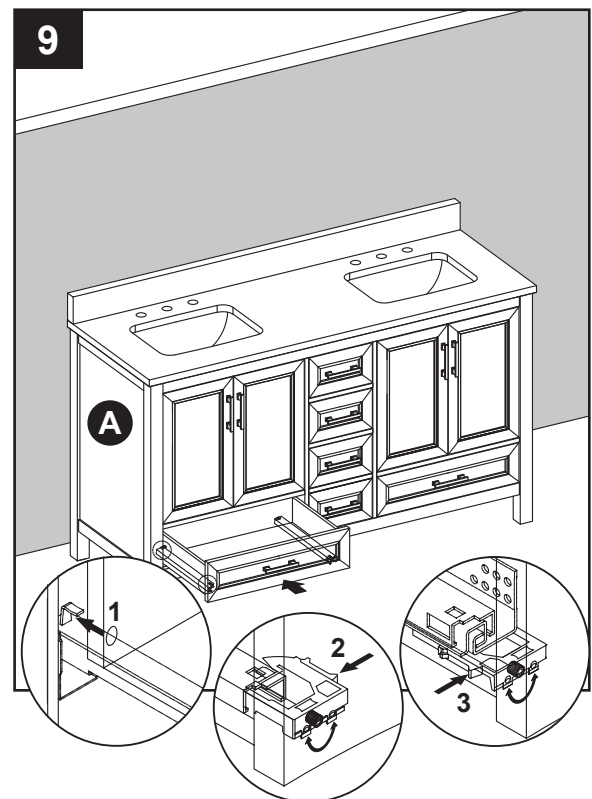


9. To reinstall drawer(s) into vanity (A), fully extend metal glide tracks. Gently lower and slide drawer box into rear glide catch. Next, lower drawer box down to completely rest on extended glides. Then, push plastic levers to lock the drawer box in place.
- Note:** Drawer box alignment can be adjusted, if necessary. As shown in the diagram, spin the adjustment wheel to the left to raise the drawer box, or to the right to lower the drawer box. The left and right-side glide heights can also be adjusted independently in order to find the drawers best alignment position.

### CAUTION

**DO NOT** force drawer or damage to glide(s) may occur. If drawer does not slide in with ease, remove and try again from the start.

Assembly is now complete. Install desired faucet and drain assemblies (neither included) per the manufacturers' instructions to complete the installation.



## CARE AND MAINTENANCE

---

- Dust the vanity regularly with a soft, non-lint producing cloth or household dusting product.
- You can clean the vanity with a gentle, non-abrasive household cleaner.
- Make sure to dry the wood immediately with a soft cloth or towel.
- The stone top can be cleaned using standard marble cleaning agents available at your local supplier.
- Tips for using touch-up pen (AA): For scratches, stroke in direction of scratch. Rub off excess colorant promptly with a soft cloth.

## IMPORTANT

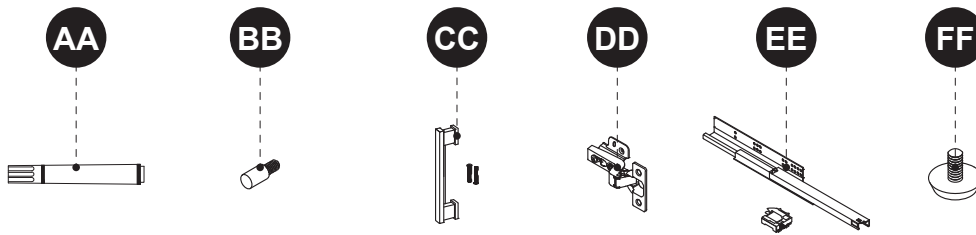
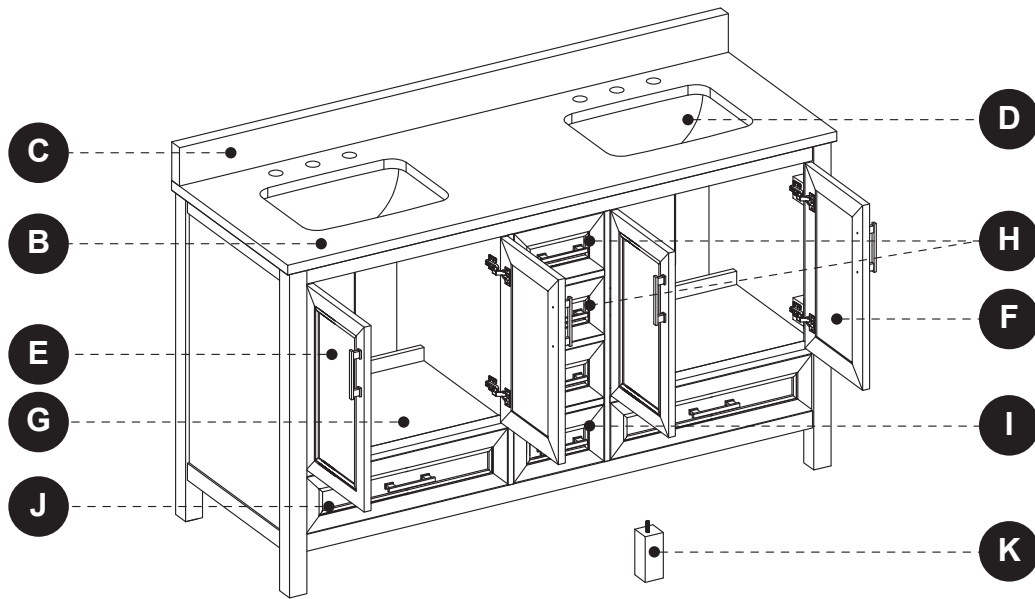
- Shade variations and patterns are an inherent characteristic of stone (e.g. granite, marble, engineered stone). Stone tops will vary from product to product. Use caution placing items such as soap or any fragranced material on the stone surface. Use a soap dish, coaster or similar item to protect the surface if placing any soap or fragranced products on the stone.
- If soap or fragranced products come in contact with the stone top, rinse the surface with water and dry using a soft non-abrasive cloth.
- **WARNING:** Must use cleaning agents safe for stone. Check your cleaning agents use restrictions before using on any stone. Damage to the stone may result. Vanity manufacturer not responsible for damage caused by improper cleaning agents or soaps used. Warranty will not cover damage caused by the use of improper soaps or cleaning agents.
- **DO NOT** use products to clean the stone top that contain acetone, lemon, vinegar or other acids as these may cause damage to the stone surface.
- Periodically reseal the stone top using an appropriate stone sealer available from your local home store. Follow the manufacturer's directions on how to apply.

## WARRANTY

---

The manufacturer warrants this item against defects in materials and workmanship for a period of one (1) year from the date of original retail purchase. This warranty applies only to the original purchaser. This warranty does not apply to any damage on the product by accident, misuse, or modified, improper installation or by affixing accessories not produced by the manufacturer. The manufacturer will not be held liable for damages caused from cleaners or soaps that etch or stain the stone top. The manufacturer is not accountable whatsoever for product installation during the warranty period. There is no further expressed warranty. The manufacturer shall not be legally responsible for incidental, consequential or special damages arising at or in connection with product use or performance except as may otherwise be accorded by law. The manufacturer disclaims any and all implied warranties.





PART	DESCRIPTION	PART#
B	Top	2500VT-60-900
C	Backsplash	PUBS-25-900-60
D	Sink	PU17-18X14-SQUARE
E	Left Door	1541VA-60-201
F	Right Door	DOOR SET
G	Shelf	1541VA-60-201-SHELF
H	Upper Drawer Front	1541VA-60-201 UPPER DRAWER FRONT
I	Lower Drawer Front	1541VA-60-201 LOWER DRAWER FRONT
J	Large Drawer Front	1541VA-60-201 LARGE DRAWER FRONT
K	Center Support Leg	1541VA-60-201-C LEG
AA	Touch-up pen	OF-0010
BB	Shelf Pin	PU17-SP-002
CC	Pull (with screw)	1541VA-24-201-HANDLE
DD	Hinge	C-90-107
EE	Drawer glide set	PUDTC-14X3-HANDLE
FF	Leveler	T-1007