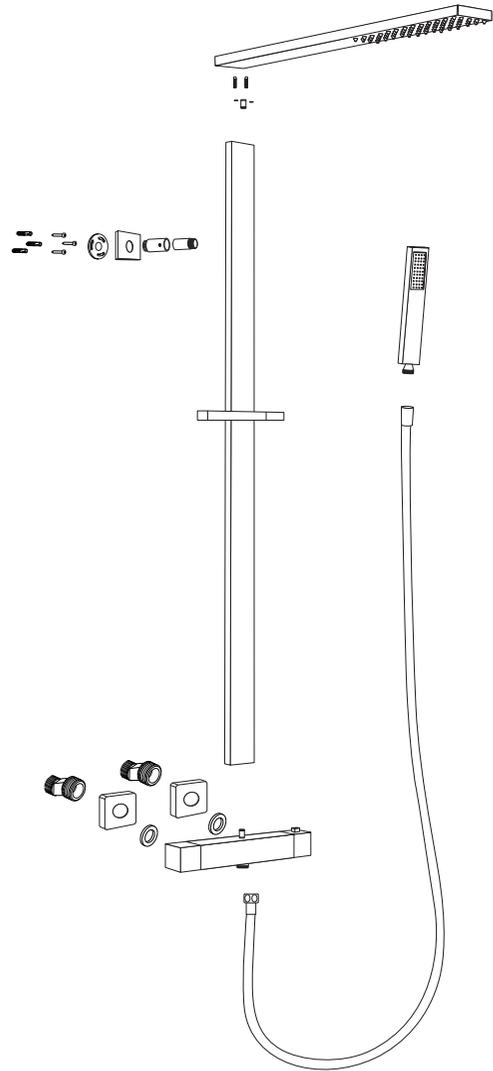


PRODUCT DRAWING



RECOMMENDED TOOLS

Plumber's putty



Thread seal tape

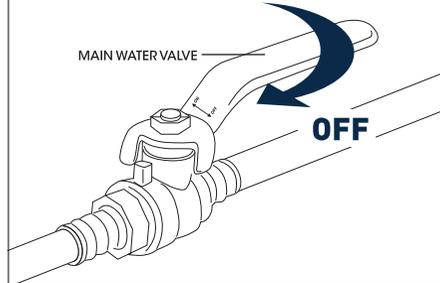


Included

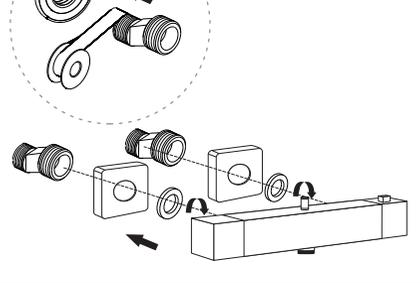


INSTALLATION STEPS

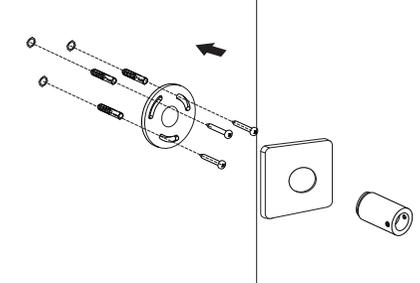
BEFORE YOU BEGIN



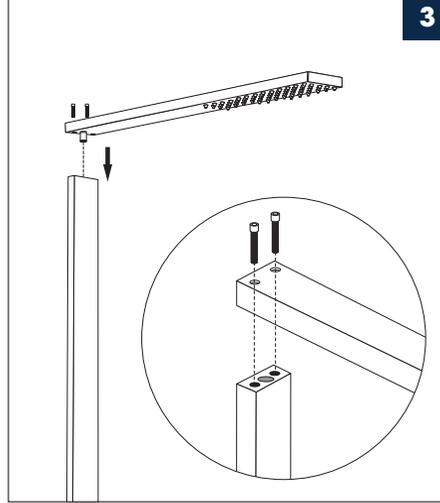
1



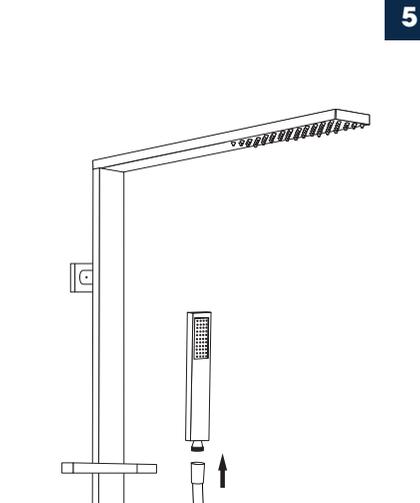
2



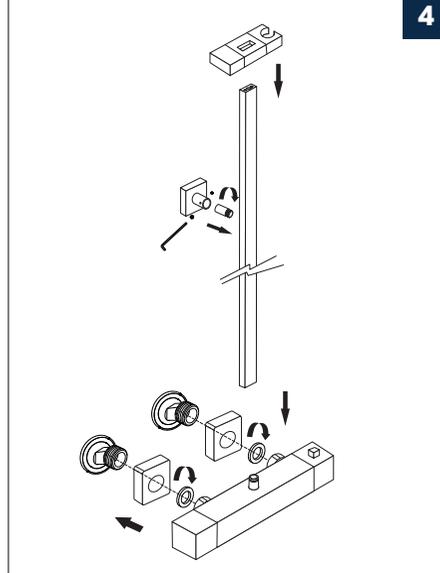
3



5



4



Press the unlock key to adjust the high temperature

-  — HEAD SHOWER
- OFF — STOPPED
-  — HAND SHOWER

SHOWER SYSTEM FAUCET

Installation instruction



MB/BN/BG/CH/ORB

CARE INSTRUCTIONS

Rinse the product with clear water. Dry the product with a soft cloth.

DO NOT:

Use abrasive cleansers, cloths, or paper towels. Use any cleaning agents containing acid, polish, wax, alcohol, ammonia, bleach, solvent or any other corrosive or harsh chemical cleansers.