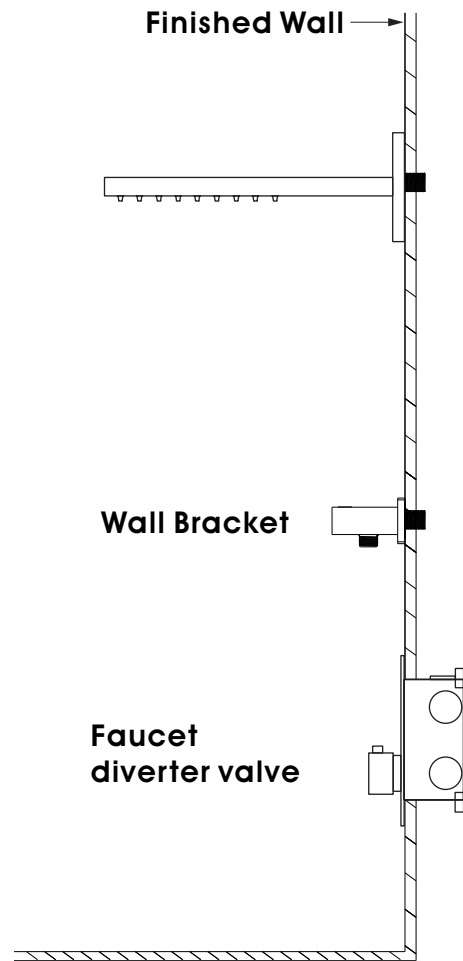
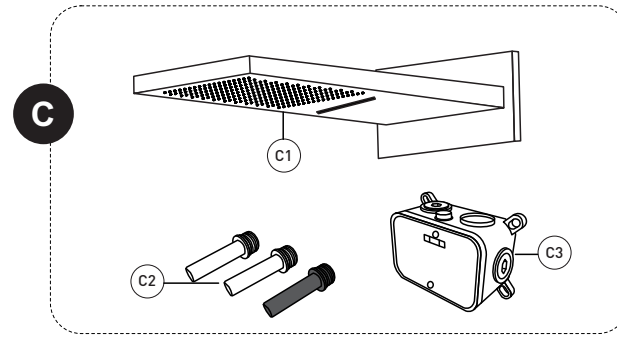


PRODUCT DRAWING

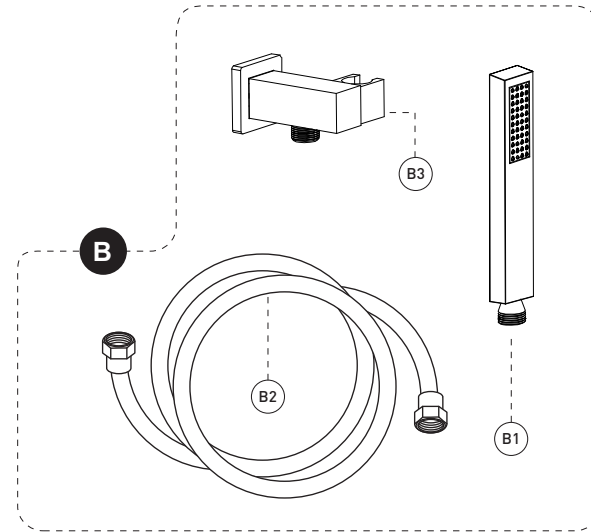
A



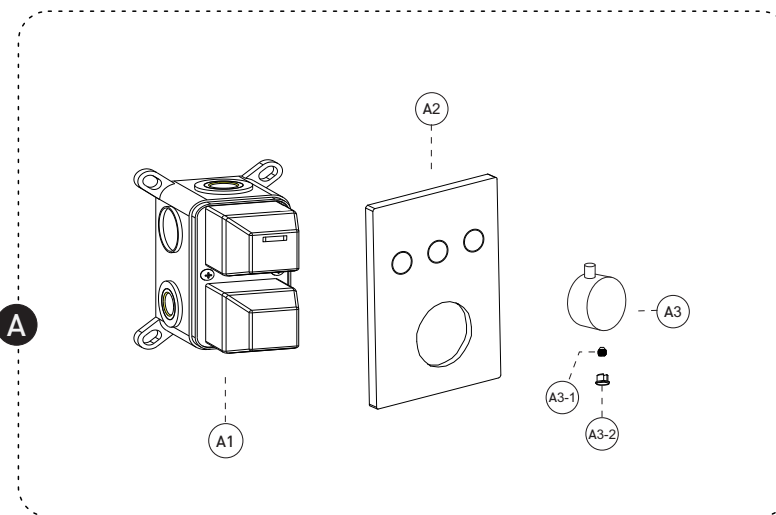
C



B



A



No.	Description				
A	Pressure balanced diverter valve				
A1	Pre-embedded main body				
A2	Face plate with sealjoint				
A3	Constant temperature hand wheel				
A3-1	Trim cap (A-3 included)				
A3-2	Allen screw (A-3 included)				
B	Handheld Shower Kit with Flexible Hoser				
B1	Handheld Shower				
B2	Flexible hose				
B3	Wall Bracket				
C	Rail Shower Head				
C1	Shower Head				
C2	Outlet pipe&Fixed pipe				
C3	Shunt valve				
Z	Accessories Package x6				
<table border="1"> <thead> <tr> <th>For Repair And Warranty (Spare Parts)</th> <th>For Installation (Spare Parts)</th> </tr> </thead> <tbody> <tr> <td> </td> <td> </td> </tr> </tbody> </table>		For Repair And Warranty (Spare Parts)	For Installation (Spare Parts)		
For Repair And Warranty (Spare Parts)	For Installation (Spare Parts)				

SHOWER SYSTEM FAUCET

Installation instruction



MB/BN/BG/CH/ORB

CARE INSTRUCTIONS

Rinse the product with clear water. Dry the product with a soft cloth.

DO NOT:

Use abrasive cleansers, cloths, or paper towels. Use any cleaning agents containing acid, polish, wax, alcohol, ammonia, bleach, solvent or any other corrosive or harsh chemical cleansers.

INSTALLATION STEPS

INSTALL THE SHOWER VALVE BODY

A

