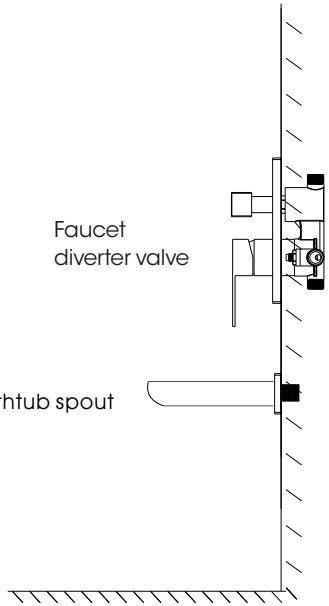


INSTALLATION INSTRUCTION

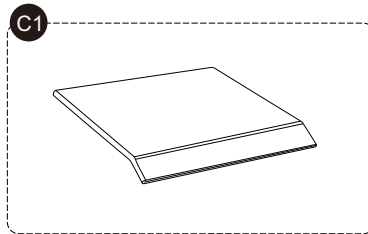
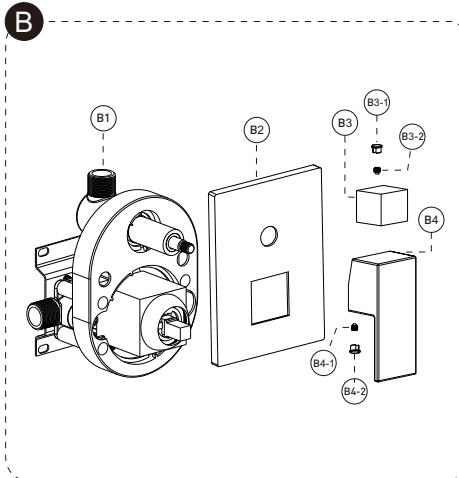
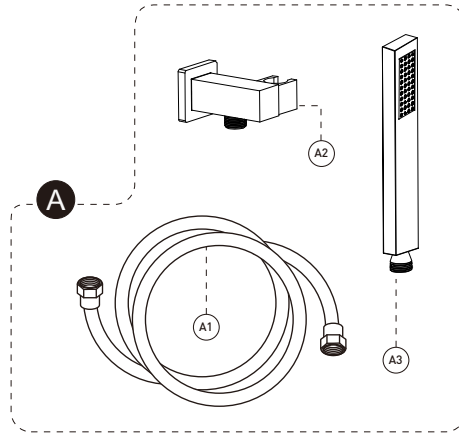
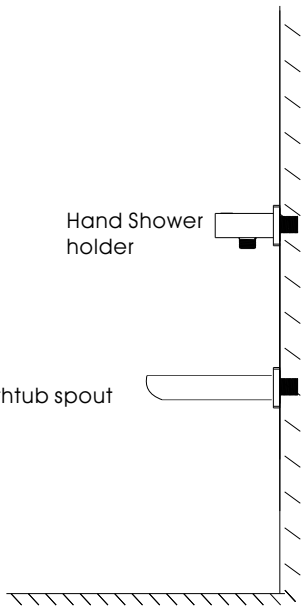
Faucet diverter valve

Bathtub spout

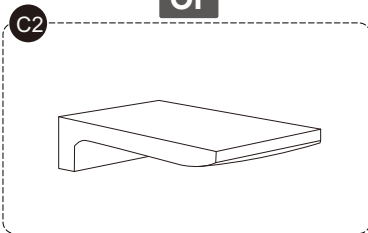


Hand Shower holder

Bathtub spout



or



No.	Description
A	Handheld Shower Kit with Flexible Hose
A1	Flexible hose
A2	Wall Bracket
A3	Handheld Shower
B	Pressure balanced diverter valve
B1	Valve
B2	Face plate with sealjoint
B3	Diverter knob kit
B3-1	Trim cap (A-3 included)
B3-2	Allen screw (A-3 included)
B4	Shower valve handle
B4-1	Trim cap (A-4 included)
B4-2	Allen screw (A-4 included)
C1 or C2	Bathtub waterfall spout plus
	Bathtub waterfall spout plus

SHOWER SYSTEM FAUCET

Installation instruction



MB/BN/BG/CH/ORB

CARE INSTRUCTIONS

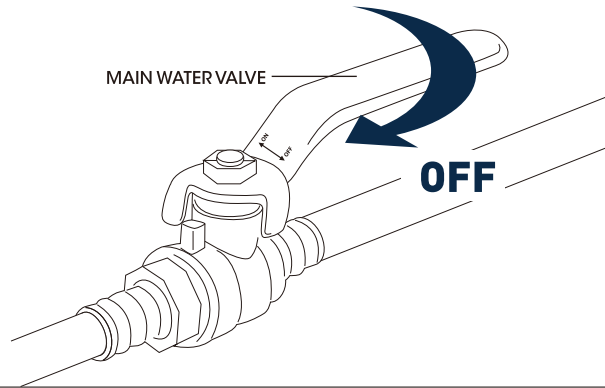
Rinse the product with clear water. Dry the product with a soft cloth.

DO NOT:

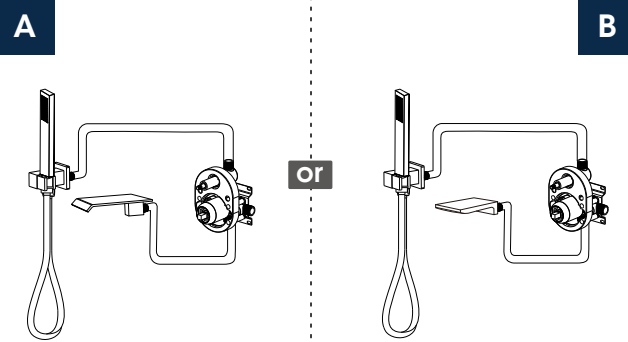
Use abrasive cleansers, cloths, or paper towels. Use any cleaning agents containing acid, polish, wax, alcohol, ammonia, bleach, solvent or any other corrosive or harsh chemical cleansers.

INSTALLATION STEPS

BEFORE YOU BEGIN



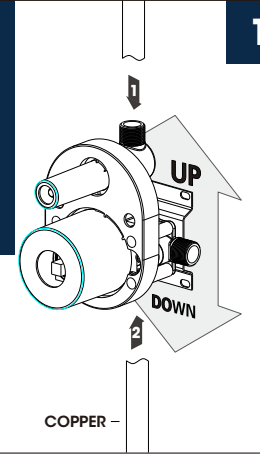
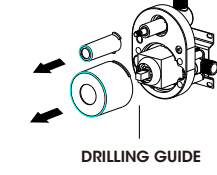
INSTALLATION WAY



Rough-in-Installation primaire

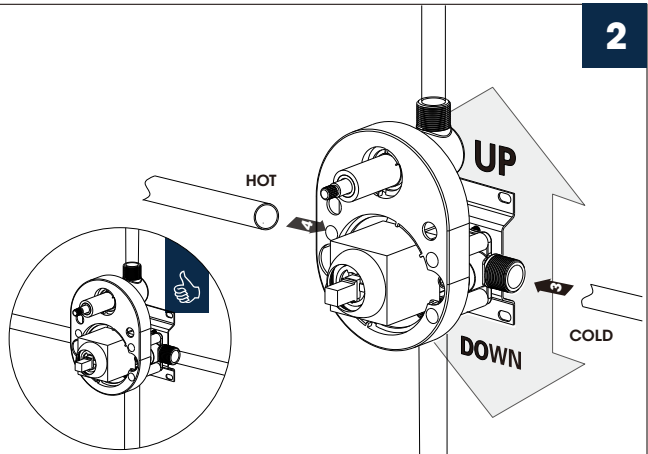


ATTENTION
WHEN USING A HANDSHOWER, IT NEEDS TO BE CONNECTED TO THE TOP OUTLET

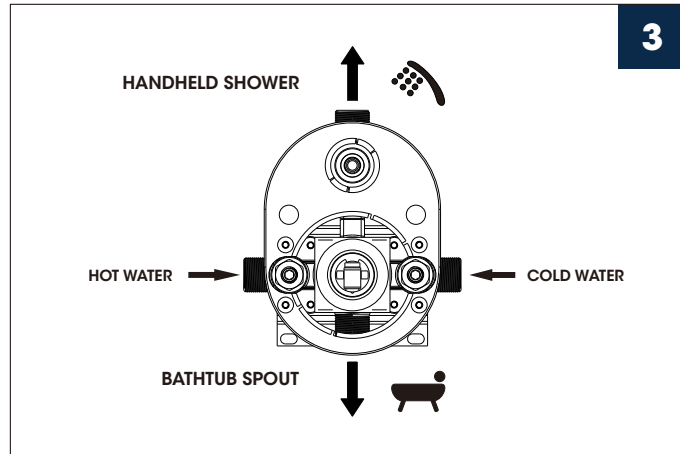


1

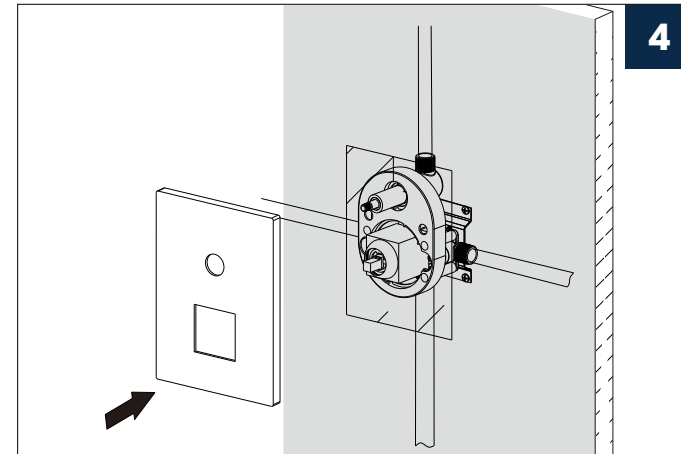
2



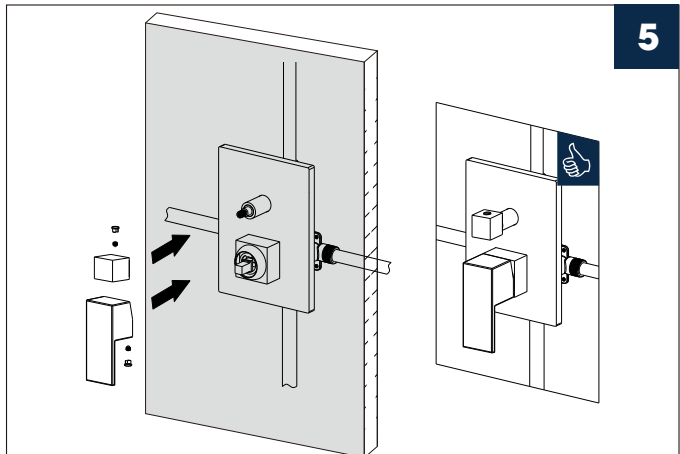
3



4

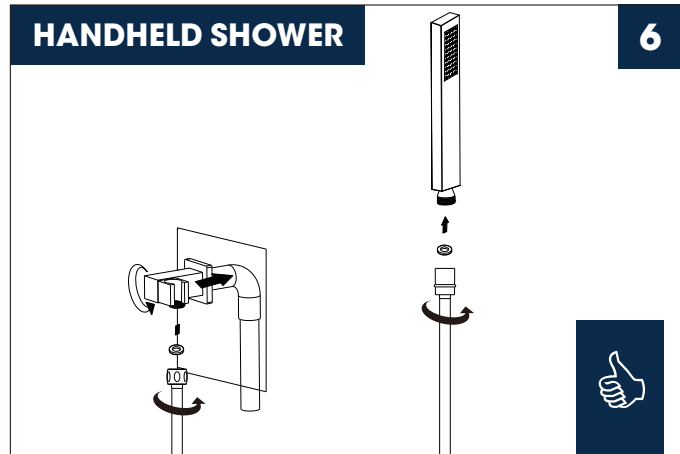


5



HANDHELD SHOWER

6



HAND SHOWER

7

