

# BATHROOM FAUCET

Installation instruction

MB / BN / BG / CH / ORB



## CARE INSTRUCTIONS

Rinse the product with clear water. Dry the product with a soft cloth.

## DO NOT:

Use abrasive cleansers, cloths, or paper towels. Use any cleaning agents containing acid, polish, wax, alcohol, ammonia, bleach, solvent or any other corrosive or harsh chemical cleansers.

## RECOMMENDED TOOLS

Plumber's putty



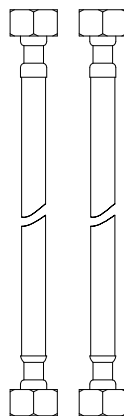
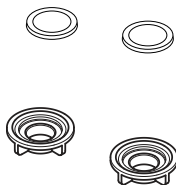
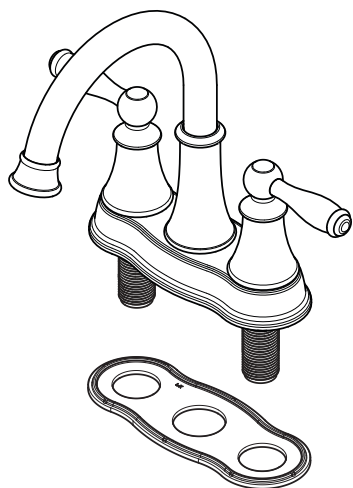
Thread seal tape



Included



## PRODUCT DRAWING



# INSTALLATION STEPS

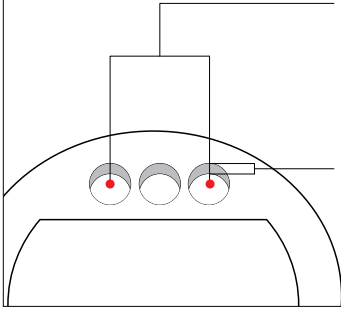
## BEFORE YOU BEGIN

**Fixed width is: 3.94"**

Width from the center of the first hole to the center of the second hole.

**1.38"/35mm**

Max. countertop thickness

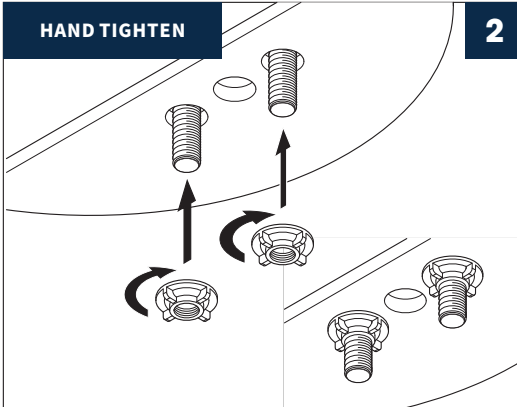


1



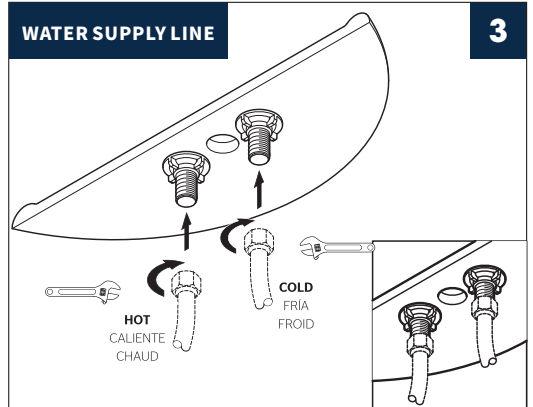
## HAND TIGHTEN

2



## WATER SUPPLY LINE

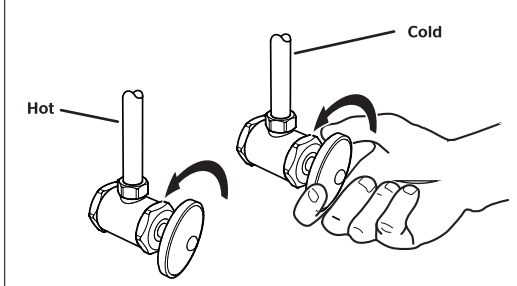
3



## TURN ON WATER SUPPLY

4

**Check for leaks above and below the sink.**



## CONFIRM PROPER INSTALLATION

5

Open Slowly Allow hot & cold water to run for at least 15 seconds each.

