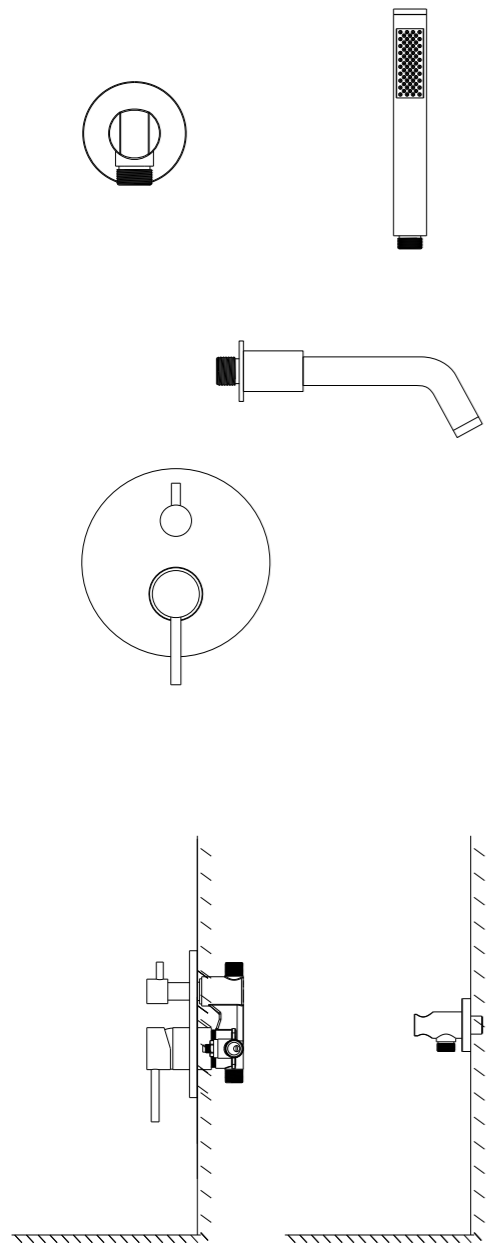
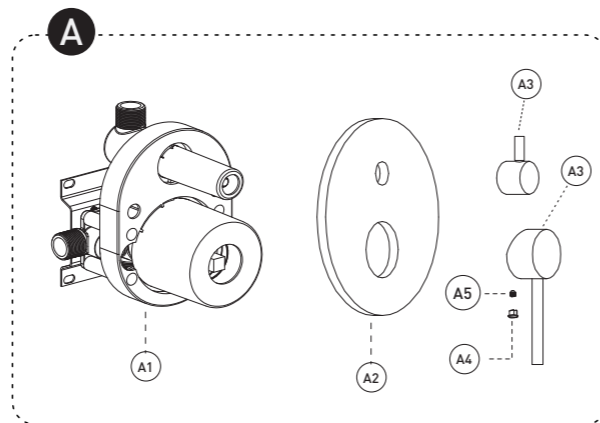
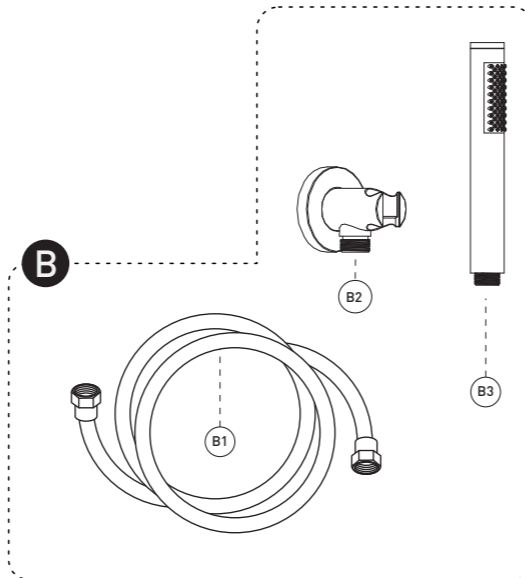
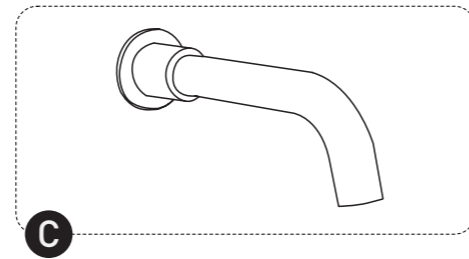


PRODUCT DRAWING



* This size is for reference only, please refer to the real object.



No.	Description
A	Pressure balanced diverter valve
A1	Valve
A2	Face plate with seal joint
A3	Diverter knob kit
A4	Trim cap
A5	Allen screw
B	Sliding bar kit with flexible hose
B1	Flexible hose
B2	Hand shower holder
B3	Hand shower
C	bathtub spout

SHOWER SYSTEM FAUCET

Installation instruction



MB/BN/BG/CH/ORB

CARE INSTRUCTIONS

Rinse the product with clear water. Dry the product with a soft cloth.

DO NOT:

Use abrasive cleansers, cloths, or paper towels. Use any cleaning agents containing acid, polish, wax, alcohol, ammonia, bleach, solvent or any other corrosive or harsh chemical cleansers.

! IMPORTANT

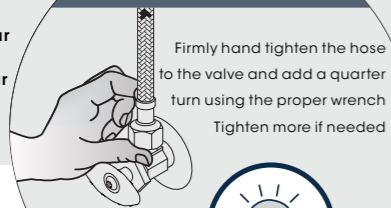
We recommend using a professional plumber for all installation and repair. Please inform yourself about the Canadian plumbing code's regulations and your local municipality plumbing codes before installation. The Canadian plumbing code requires the installation of surge arresting devices to eliminate water hammering. Allow an adequate opening in order to easily access connections or other plumbing devices for maintenance or repair.

RECOMMENDED TOOLS



* Apply plumber's putty under the plastic cover plate to seal your installation.
Appliquez du mastic pour plombier sous la sous-plaque de plastique pour rendre votre installation étanche.

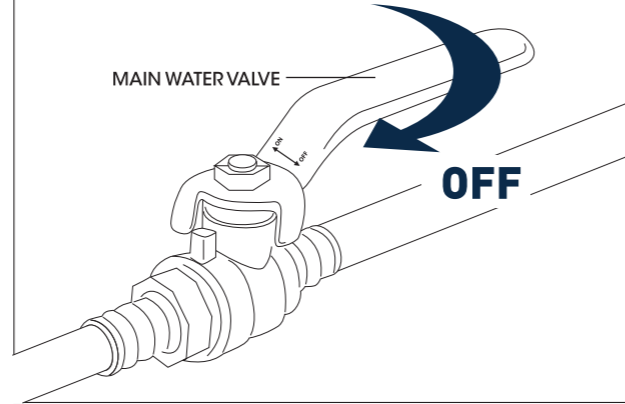
CONNECTION ADVICE



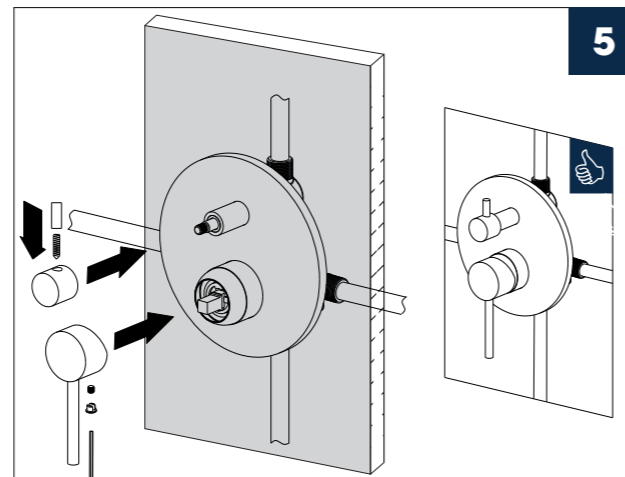
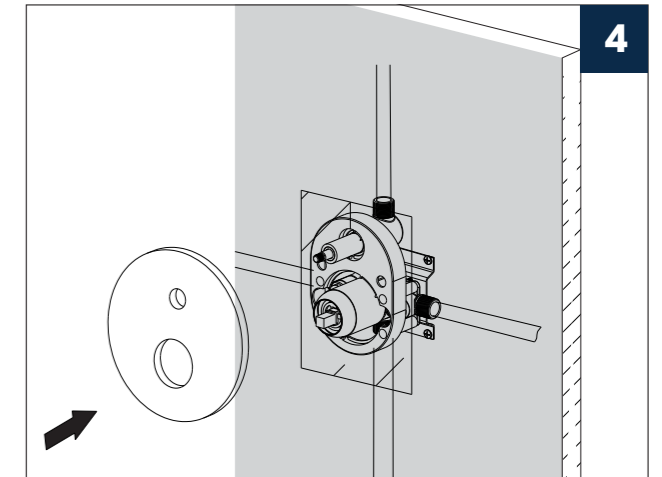
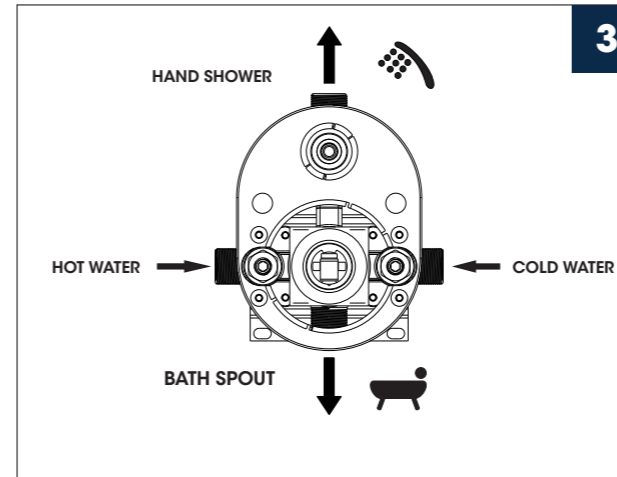
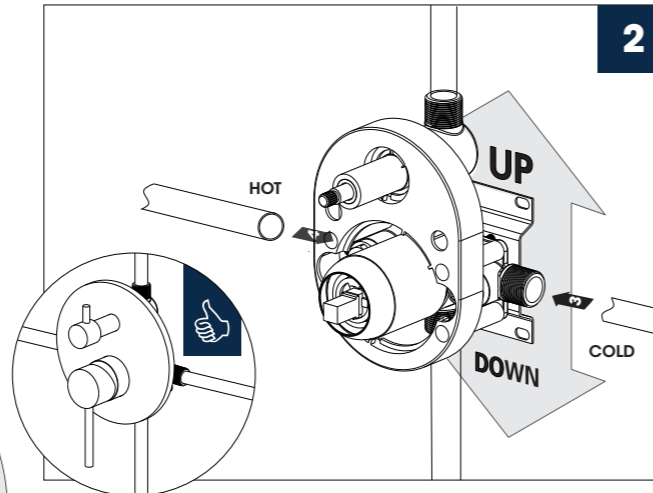
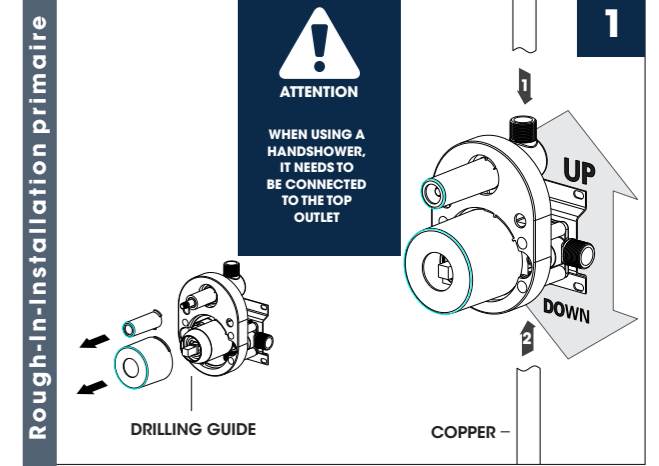
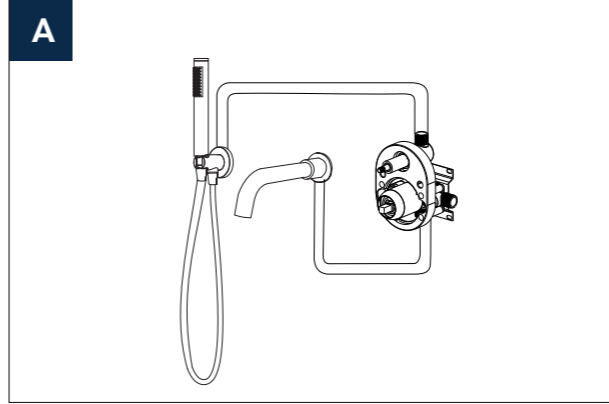
The model shown in the installation steps may differ from the one in box however connection type and installation steps are the same.

INSTALLATION STEPS

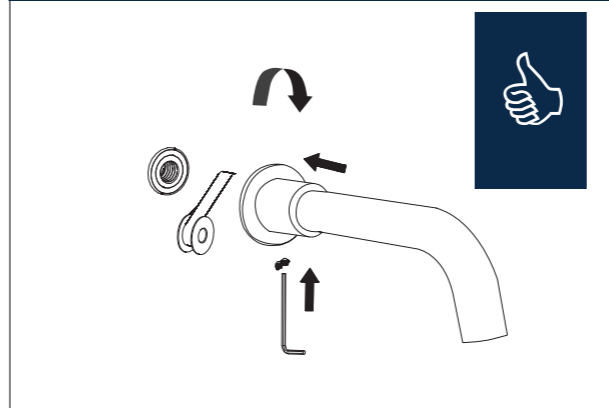
BEFORE YOU BEGIN



INSTALLATION WAY



HEAD SPOUT



HAND SHOWER

