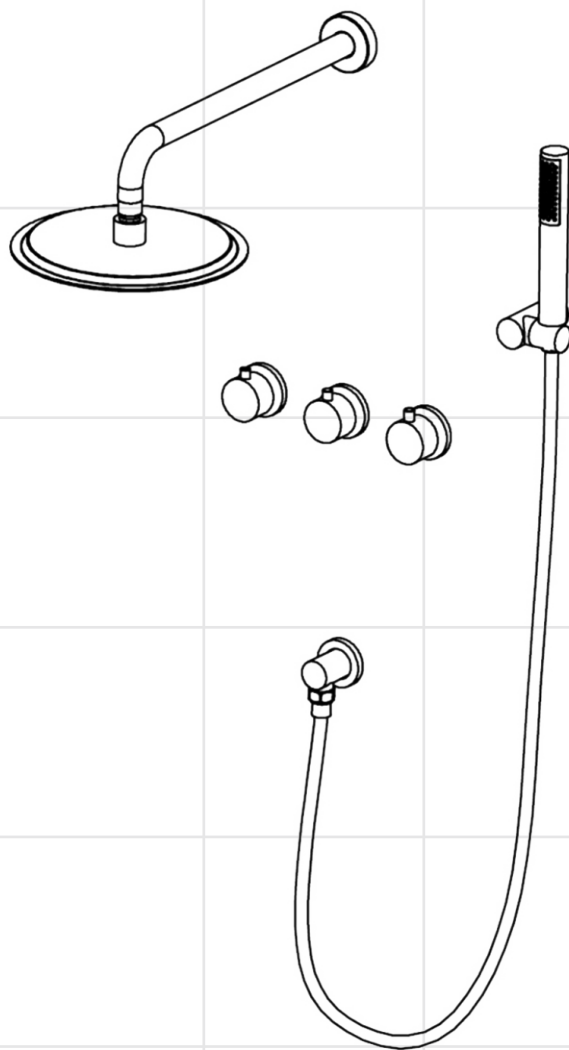
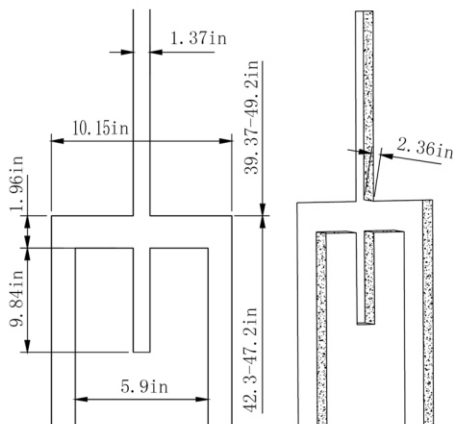


INSTALLATION INSTRUCTIONS

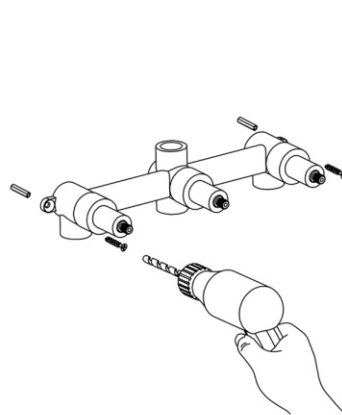


INSTALL THE SHOWER

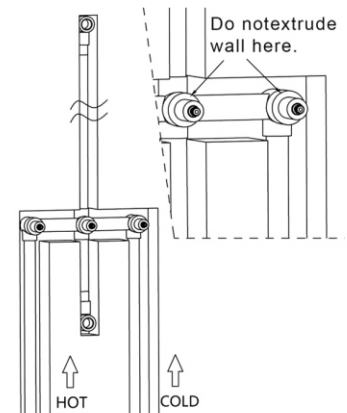
1. Build a groove in the wall.



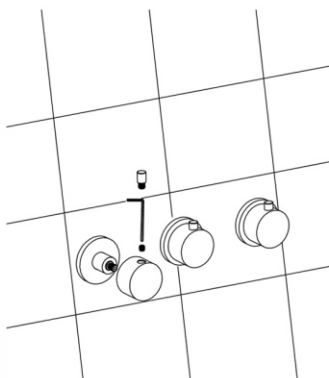
2. Fix the body with self-tapping screws .



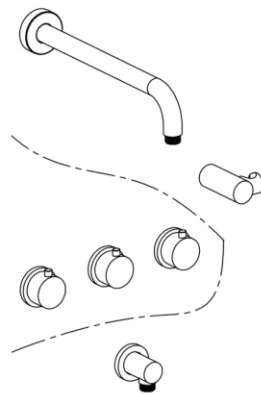
3. Mount the body, inlet and outlets.



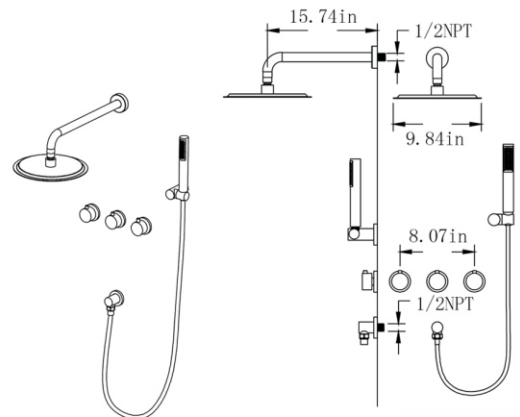
4. Mount Cover and Rotor.



5. Mount Holder for top sprayer, outlet for top sprayer and holder for handheld sprayer. Convolve teflon taperound screw.



6. Mount Top sprayer and Handheld sprayer.



CLEANING CARE

In order to keep the appearance of faucet clean, bright and good performance, please take care of the faucet as follows;

1. Rinse with water only and dry with soft cotton cloth;
2. Use mild liquid and colorless glass cleaner to remove surface dirt and scale film, or use polish without abrasive effect;
3. Do not use abrasive detergent, polish, emery cloth, paper towel or scraper, etc.;
4. Do not use acid cleaner, or cleaner and soap with insoluble granules, etc.;
5. In the process of use, mud may accumulate in the bubbler and make the water flow slow. The bubbler can be unscrewed, rinsed with water, and then installed back in place.

